

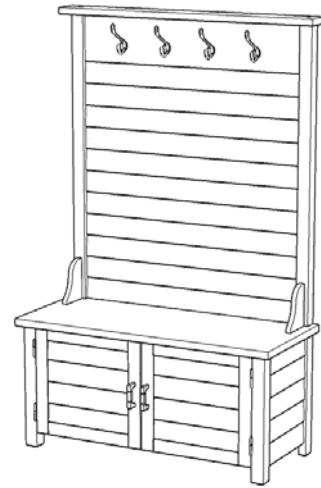
Hall Tree

IMPORTANT

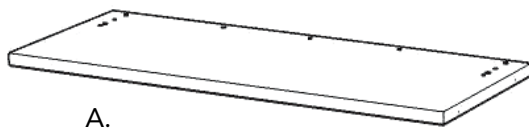
Carefully remove all the parts from the carton and place them individually on a soft cloth to prevent scratches or other damage.

Carefully and strictly follow these assembly instructions to ensure a completed product as designed.

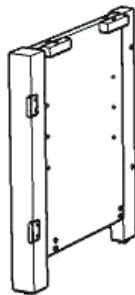
Do not use power tools above 8 volts to assemble.



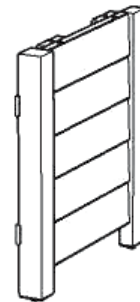
Part List



A.
Seat
1 pc.



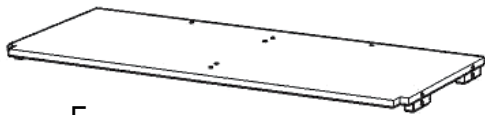
B.
Side Panel
1 pc.



C.
Side Panel
1 pc.



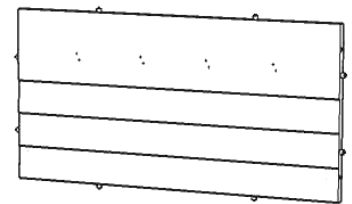
D.
Middle Panel
1 pc.



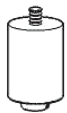
E.
Base
1 pc.



H.
Back Panel
1 pc.



I.
Back Panel
1 pc.



F.
Foot
1 pc.



G.
Support
2 pcs.



O.
Top
1 pc.



J.
Back Panel
1 pc.



L.
Back Support
2 pcs.



M.
Post
1 pc.



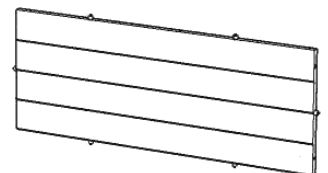
N.
Post
1 pc.



P.
Door
1 pc.



Q.
Door
1 pc.



K.
Back Panel
1 pc.



R.
Shelf
2 pcs.

Tool(s) required for assembly: Phillips screwdriver, Level, Drill (8 volts or less), 3/8" Drill Bit

Home Styles Customer Service: www.homestyles-furniture.com,
 servicedesk@homestyles-furniture.com, 888-680-7460, 877-831-0319

Assembly Instructions 2/9

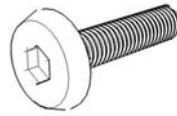
Hardware List



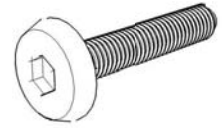
Hex Wrench
1 pc.



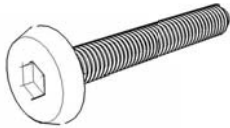
Small Hex Wrench
1 pc.



M6x32
Head Cap Bolt (short)
8 pcs. (+1 extra)



M6x38
Head Cap Bolt
6 pcs. (+1 extra)



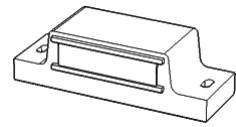
M6x64
Head Cap Bolt (long)
4 pcs. (+1 extra)



Spring Washer
18 pcs. (+1 extra)



Flat Washer
18 pcs. (+1 extra)



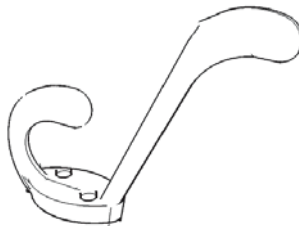
Magnet
2 pcs.



M3x14
Magnet Screw
4 pcs. (+1 extra)



Adjustable Pin
8 pcs. (+1 extra)



Hook
4 pcs.



M3x14
Flat Head Screw
8 pcs. (+1 extra)



M3.5x25
Flat Head Screw (long)
12 pcs. (+1 extra)



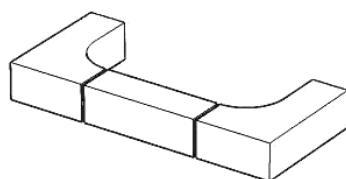
Cam Lock Screw
14 pcs. (+2 extra)



Cam Lock
14 pcs. (+4 extra)



M4x22
Machine Screw
4 pcs.



Handle
2 pcs.

Assembly Instructions 3/9

IMPORTANT

- Use a soft cloth between these parts and the floor.
- Do not use power tools above 8 volts to assemble.
- Do not tighten all the bolts until each part is properly assembled.
- The unit must be level to work properly. Use the included adjustable levelers to level.
- Keep Hex Wrench as the bolts may need to be tightened in the future.

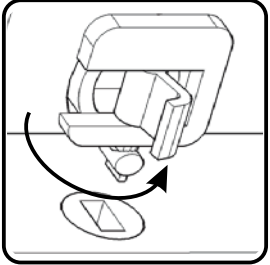


Figure 1

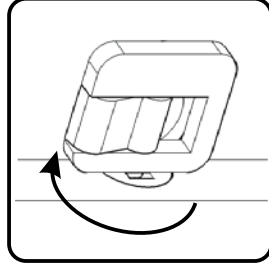
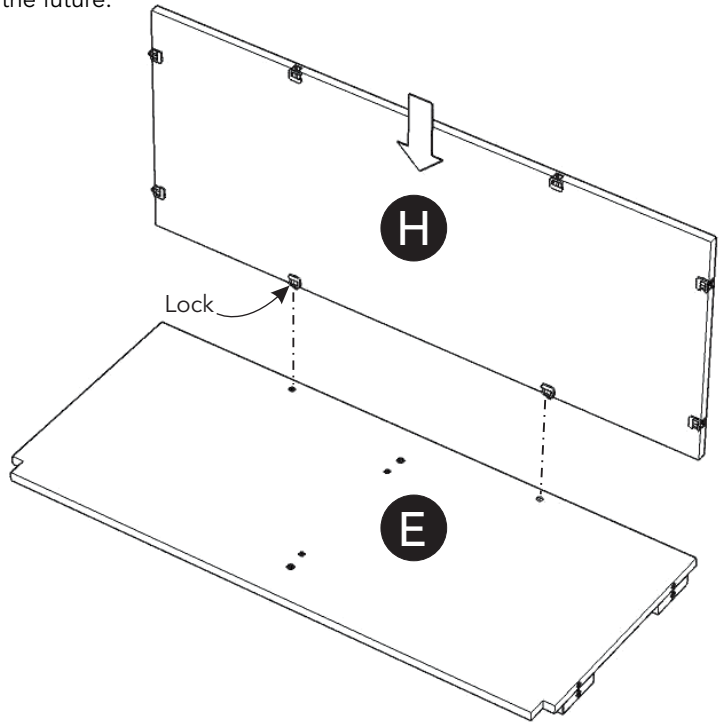
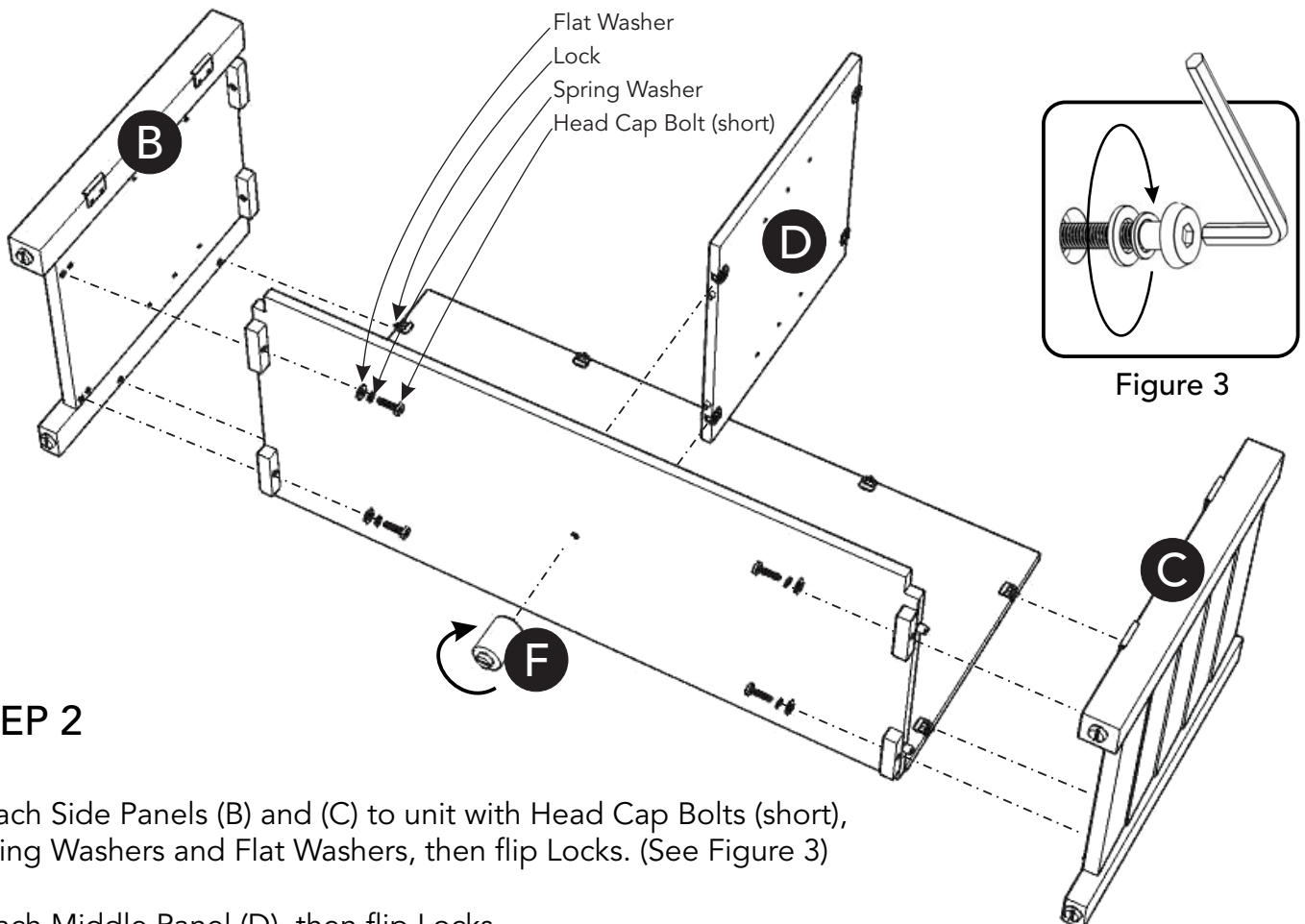


Figure 2



STEP 1

Attach Back Panel (H) to Base (E), then flip Locks. (See Figures 1 and 2)



STEP 2

Attach Side Panels (B) and (C) to unit with Head Cap Bolts (short), Spring Washers and Flat Washers, then flip Locks. (See Figure 3)

Attach Middle Panel (D), then flip Locks.

Attach Foot (F) to unit, then tighten.

Assembly Instructions 4/9

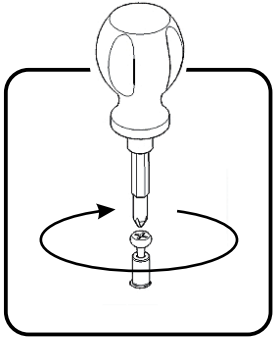
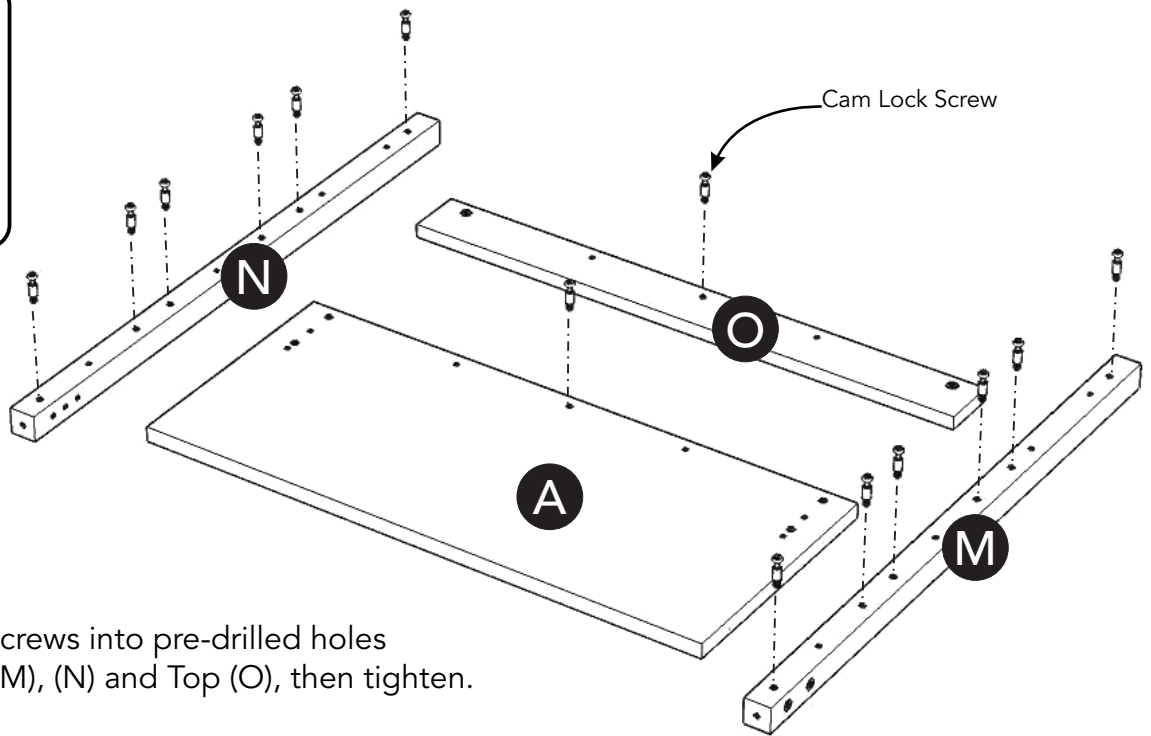


Figure 4



STEP 3

Insert Cam Lock Screws into pre-drilled holes in Seat (A), Posts (M), (N) and Top (O), then tighten. (See Figure 4)

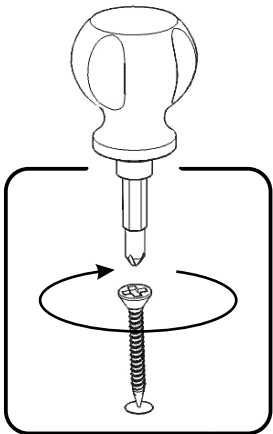
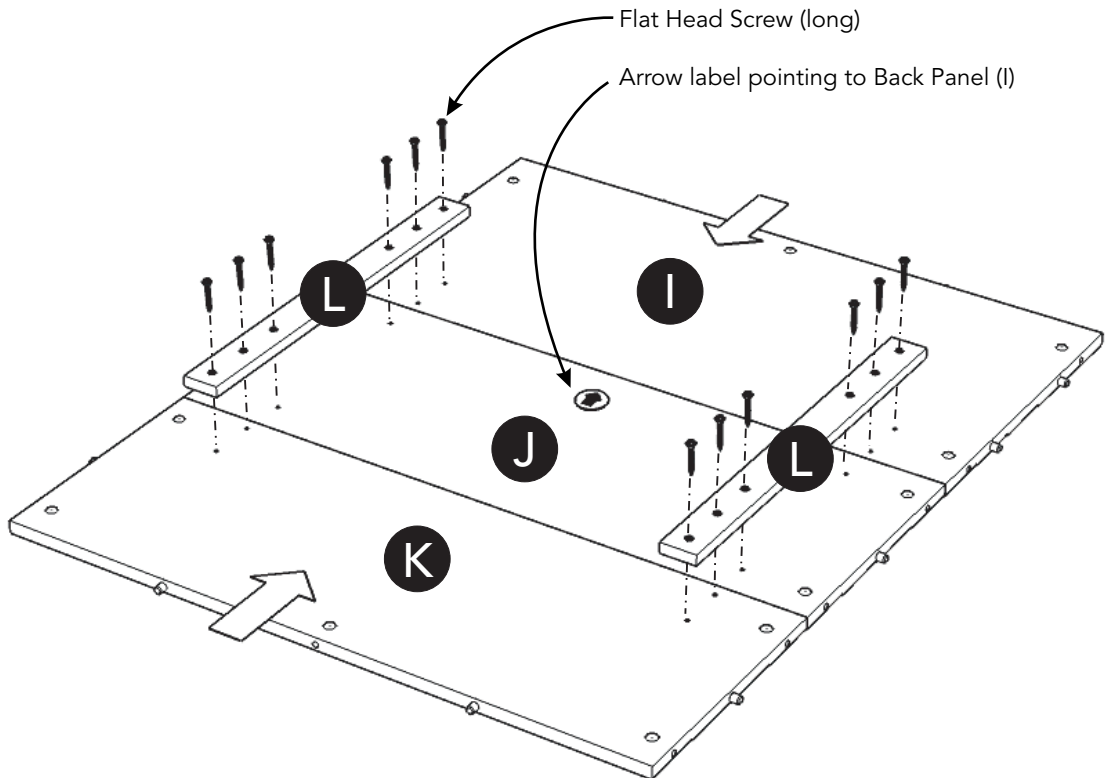


Figure 5



STEP 4

Orientate Back Panel (J) with Arrow label pointing to Back Panel (I), then place Back Panels (I), (J) and (K) upside down on a soft cloth.

Attach Back Supports (L) to Back Panels (I), (J) and (K) with Flat Head Screws (long), into pre-drilled holes. (See Figure 5)

Assembly Instructions 5/9

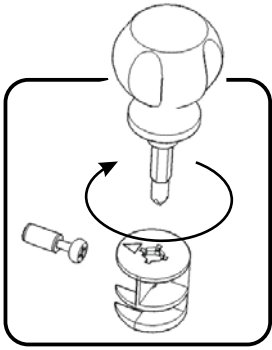
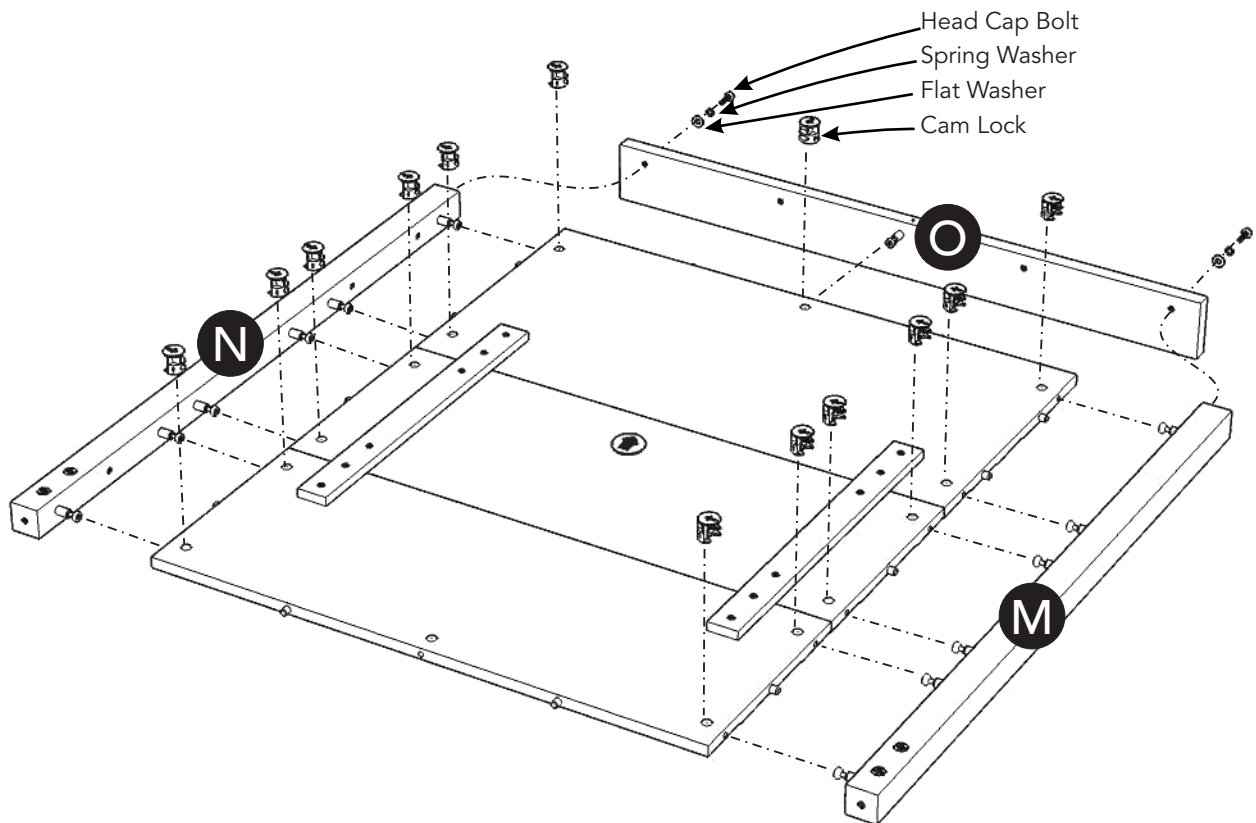


Figure 6



STEP 5

Attach Posts (M) and (N) to unit with Cam Locks. (See Figure 6)

Attach Top (O) to unit with Head Cap Bolts, Spring Washers, Flat Washers and Cam Lock.

Assembly Instructions 6/9

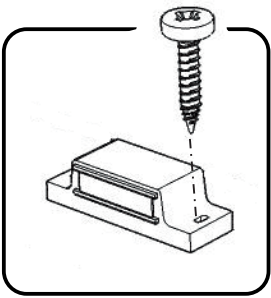
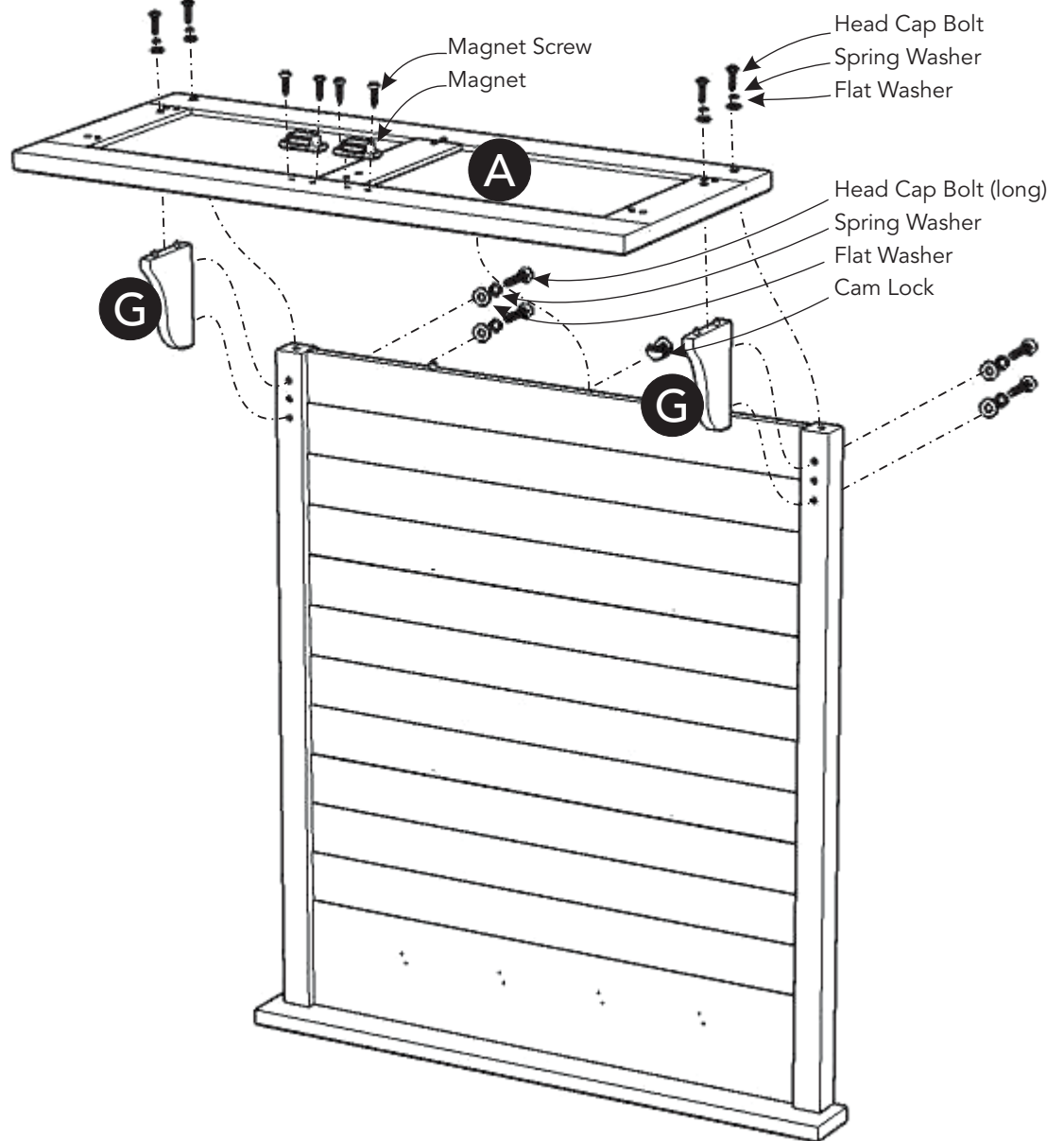


Figure 7



STEP 6

Attach Supports (G) to unit with Head Cap Bolts (long), Spring Washers and Flat Washers.

Attach Magnets to Seat (A) with Magnet Screws. (See Figure 7)

Attach Seat (A) to unit with Head Cap Bolts, Spring Washers, Flat Washers and Cam Lock.

Assembly Instructions 7/9

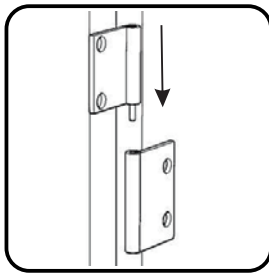


Figure 8

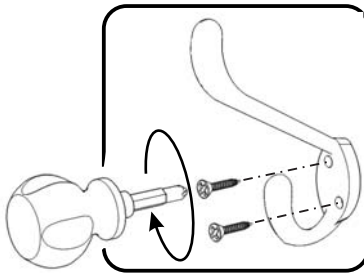
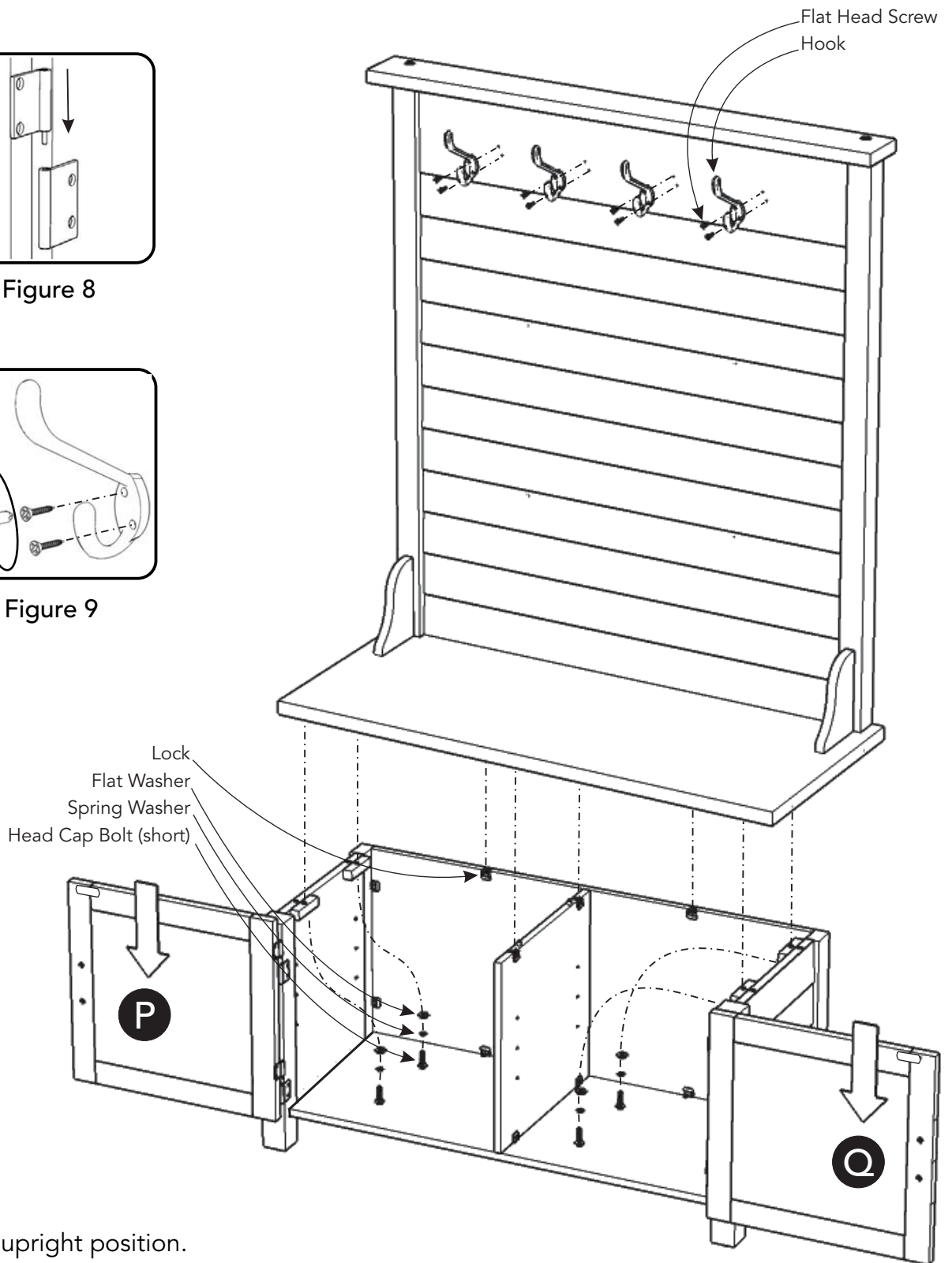


Figure 9



STEP 7

Turn unit to its upright position.

Attach Doors (P) and (Q) to unit from Step 2 by sliding door hinges into side panel hinges. (See Figure 8)

Attach unit from Step 6 to unit with Head Cap Bolts (short), Spring Washers and Flat Washers, then flip Locks.

Attach Hooks to unit with Flat Head Screws into pre-drilled holes. (See Figure 9)

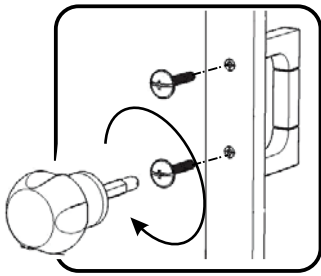


Figure 10

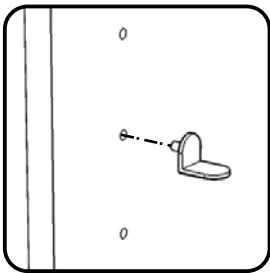
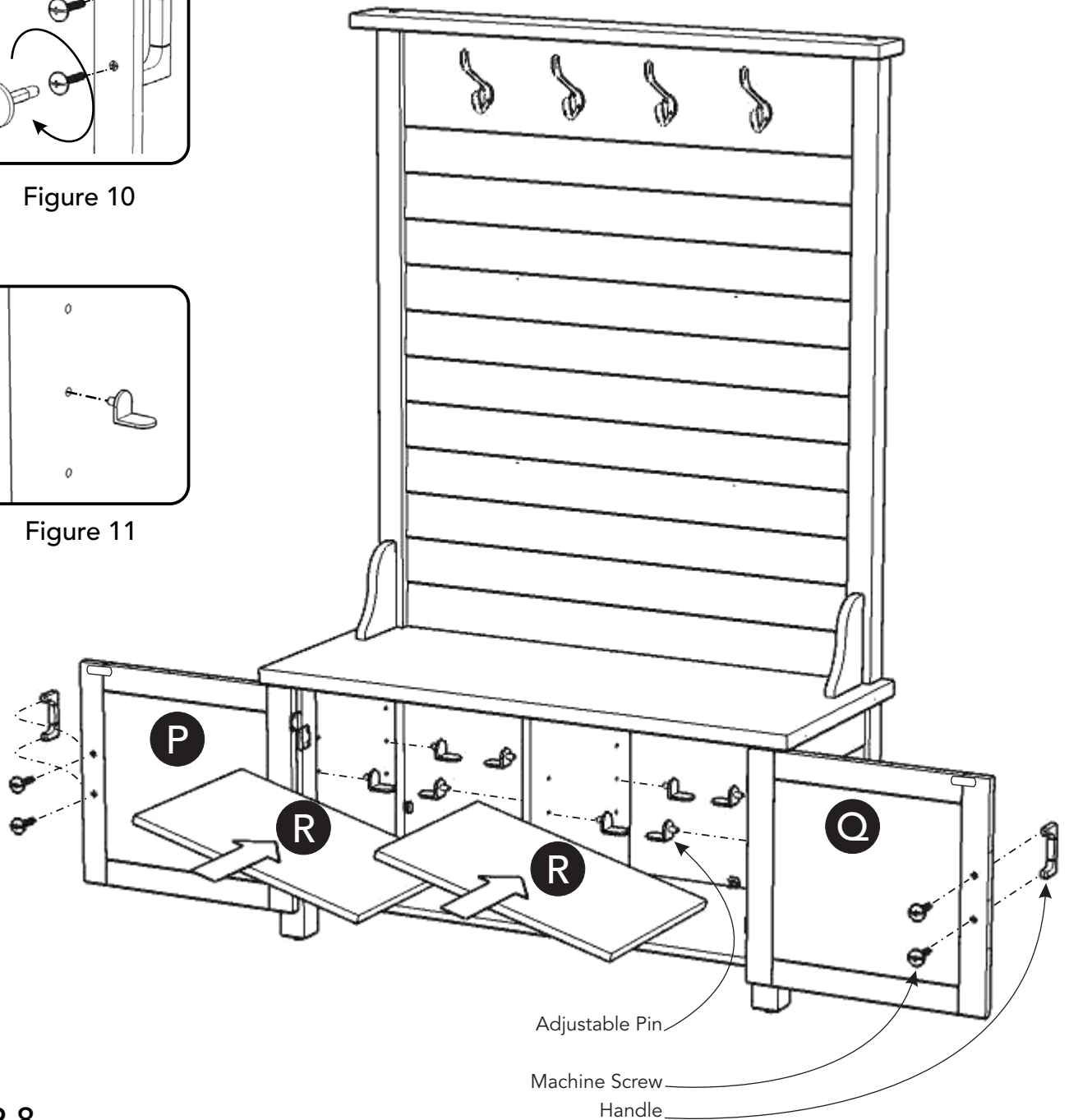


Figure 11



STEP 8

Attach Handles to Doors (P) and (Q) with Machine Screws. (See Figure 10)

Insert Adjustable Pins into side panels and middle panel at desired level. (See Figure 11)

Place Shelves (R) into position.

Level unit by adjusting the adjustable levelers on bottom of unit. (See Figure 12)

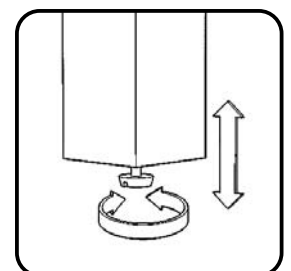


Figure 12

Assembly Instructions 9/9

IMPORTANT

- To help reduce the risk of the unit tipping over, the Tipover Restraint must be installed following these instructions exactly.

STEP 9

Place unit at desired location.

Drill a 3/8" hole in wall in-line with pre-drilled hole at top of unit.

Move unit.

Insert Anchor into the wall hole and attach Bracket with Wall Screw.

Attach Bracket at pre-drilled hole at top of unit with Wood Screw.

Move unit back into place.

Slide Tipover Restraint through Bracket on wall and Bracket on unit.
(See Figure 13)

Put tie end of Tipover Restraint into lock end of Tipover Restraint and pull until tight.

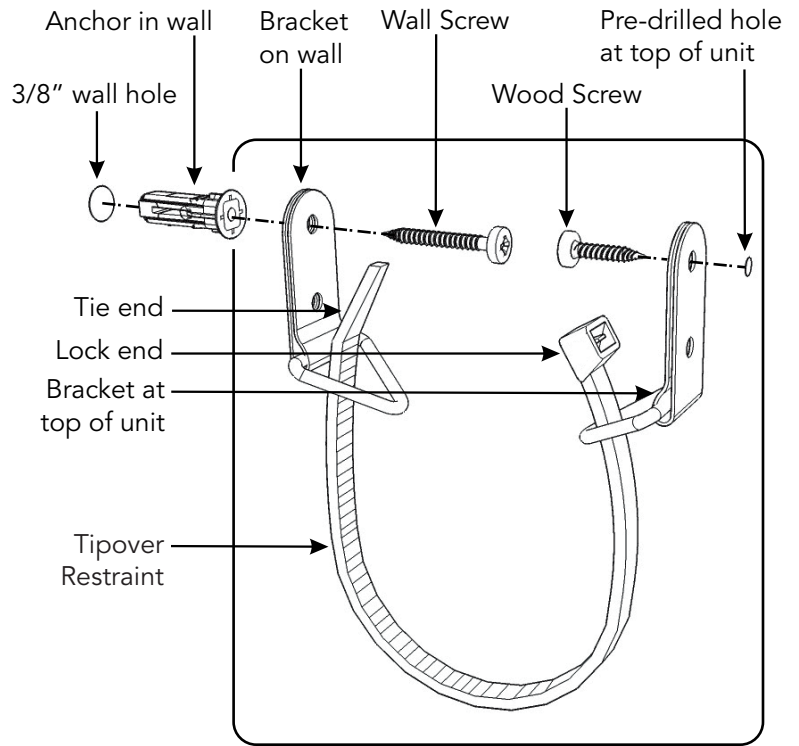
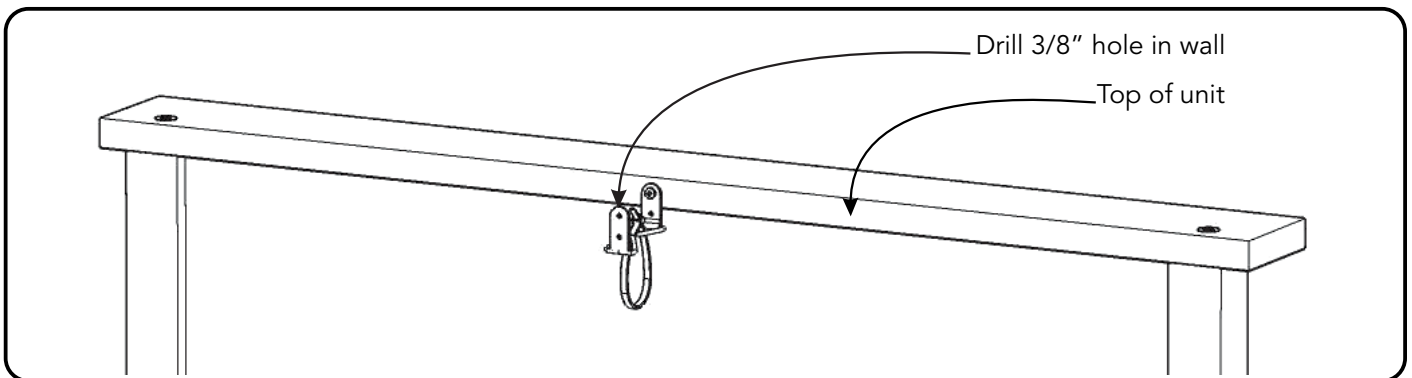
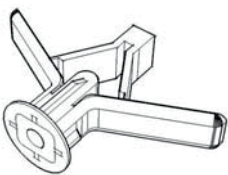


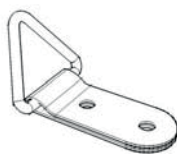
Figure 13



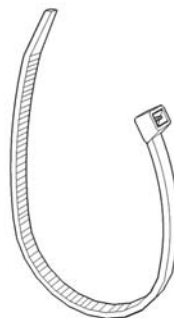
Hardware List



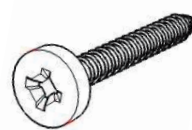
Anchor
1 pc. (+1 extra)



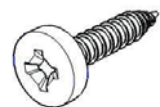
Bracket
2 pcs. (+1 extra)



Tipover Restraint
1 pc. (+1 extra)



M3.5x40
Wall Screw
1 pc. (+1 extra)



M3.5x16
Wood Screw
1 pc. (+1 extra)

CARE INSTRUCTIONS

NEVER

allow liquids to remain on furniture.
Absorption causes parts to warp
and split and finishes to delaminate.

NEVER

use glass cleaners on
finished furniture. Ammonia
chemically attacks the finish.



Do not use power tools
above 8 volts to assemble.
**PREVENT
CRACKING**



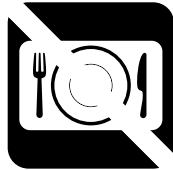
Do not place
in direct sunlight.
**PREVENT
FADING**



Do not write
directly on surface.
**PREVENT
MARKING**



Do not place hot
objects on surface.
**PREVENT
FINISH DAMAGE**



Do not use rubber
based placemats.
**PREVENT
DISCOLORING**



Do not use commercial
waxes and polishes.
**PREVENT
YELLOWING**

CLEAN

with a soft cloth moistened
in lukewarm soap and water.
Buff with a dry clean cloth.



Home Styles will provide replacements free of charge for missing or damaged hardware or parts within 30 days of purchase. Digital images of the defective parts may be required. If the product was not purchased from an authorized retail affiliate, Home Styles is under no obligation to provide replacement parts. Parts are not available for fully assembled items nor are parts available for sale. Replacements for missing or damaged hardware or parts may be requested at:

www.homestyles-furniture.com/customer-service/replacement-parts

Home Styles Customer Service: www.homestyles-furniture.com,
servicedesk@homestyles-furniture.com, 888-680-7460, 877-831-0319