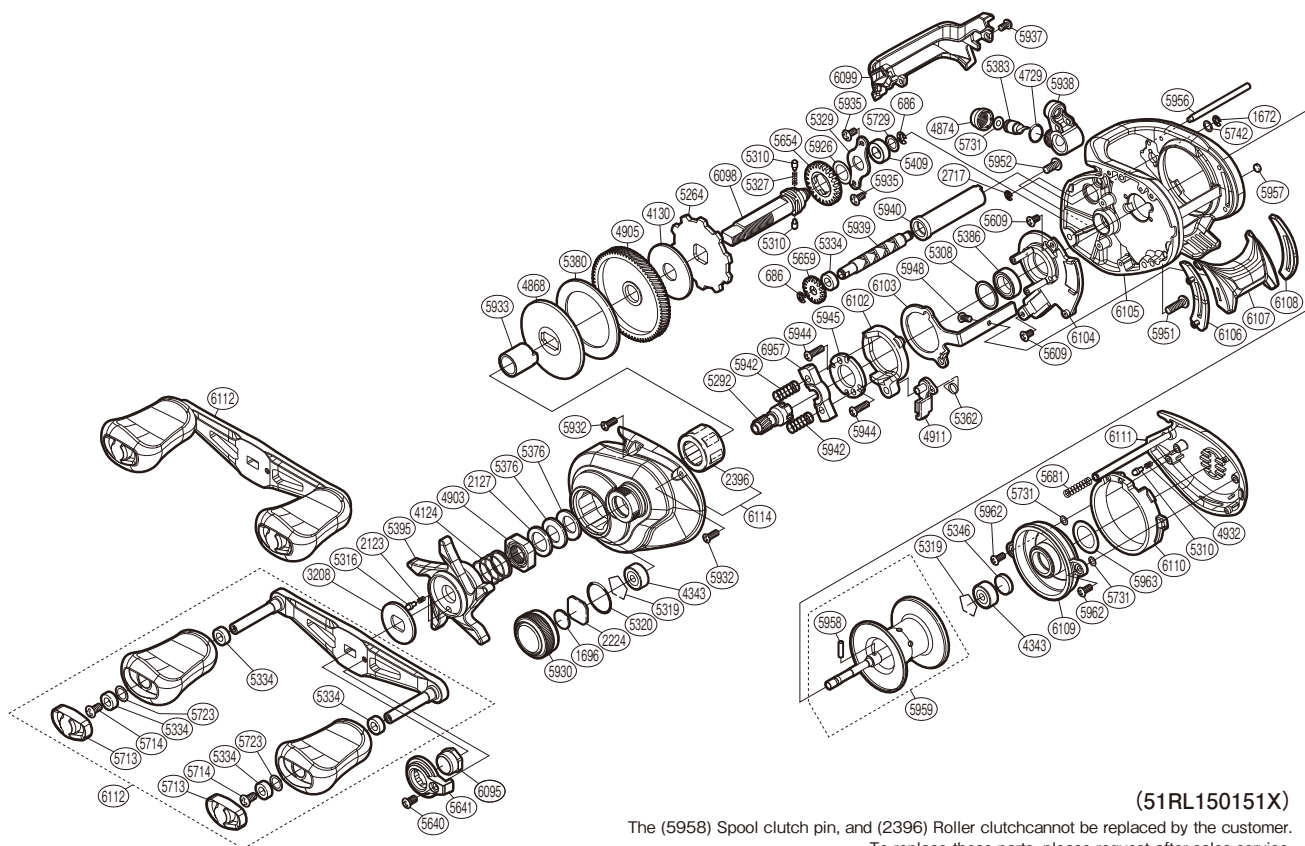


SHIMANO

SLX

SLX151



(51RL150151X)

The (5958) Spool clutch pin, and (2396) Roller clutch cannot be replaced by the customer.
To replace these parts, please request after-sales service.

#	Part No.	Description	#	Part No.	Description	#	Part No.	Description
686	105NK	E Lock	5362	10TMC	Clutch Pawl Spring	5945	100US	Clutch Cam Retainer
1672	105NC	E Lock	5376	109F5	Drag Spring Washer	5948	10LF4	Screw
1696	10896	Cast Control Spacer (B)	5380	10R3D	Drag Washer	5951	100UU	Screw
2123	10BT2	Click Spring	5383	10BHQ	Line Guide Pawl	5952	100UV	Screw
2127	10J1N	Star Drag Spacer	5386	10EX6	Ball Bearing	5956	100UT	Stabilizer Bar
2224	1085F	Spool Tension Spacer (A)	5395	10R0H	Star Drag	5957	10DTF	Washer
2396	10F5C	Roller Clutch Bearing	5409	10DQF	Drive Shaft Bushing	5958	10P67	Spool Clutch Pin
2717	105NB	E Lock	5609	10LCT	Screw	5959	10DUH	Spool Assembly
3208	10J22	Star Drag Click Plate	5640	101VV	Screw	5962	100UL	Screw
4124	10A70	Star Drag Spring	5641	10SSK	Handle Nut Plate	5963	10DUM	Washer
4130	10CHX	Drag Washer	5654	101K8	Idle Gear	6095	10049	Handle Nut
4343	105C3	Ball Bearing	5659	10SRL	Idle Gear	6098	100VZ	Drive Shaft
4729	108WQ	O Ring	5681	10KNH	Spring	6099	10DGH	Level Wind Protector
4868	10D3H	Key Washer	5713	10SS2	Handle Knob Seal	6102	100W0	Clutch Cam
4874	10FJB	Pawl Cap	5714	10LFA	Screw	6103	100W5	Clutch Plate
4903	10A3U	Star Drag Nut	5723	1003Z	Washer	6104	10DJ8	Clutch Guard Assembly
4905	10CMF	Drive Gear	5729	1003V	Washer	6105	10TF8	Frame
4911	10MQM	Clutch Pawl	5731	1003S	Washer	6106	10TFB	Clutch Bar Guide B
4932	10GQZ	Click Spring	5742	10S42	Washer	6107	10TF9	Clutch Button
5264	10D73	Anti-Reverse Ratchet	5926	1023S	Washer	6108	100W3	Clutch Bar Guide A
5292	10CSB	Pinion Gear	5930	10TZQ	Cast Control Cap	6109	100FB	Dial Case
5308	10190	Washer	5932	10LCY	Screw	6110	100W2	Right Side Plate Cam Lever
5310	10HJG	Idle Gear Pin	5933	100UC	Roller Clutch Inner Tube	6111	100FA	Right Side Plate Assembly
5316	10MFC	Click Pin	5935	10E23	Screw	6112	10RPW	Handle Assembly
5319	1054D	Bearing Retainer	5937	100U4	Screw	6114	10RPV	Left Side Plate Assembly
5320	10R22	O Ring	5938	10DUG	Line Guide Assembly	6957	1001Q	Yoke
5327	10JDY	Idle Gear Spring	5939	100U6	Worm Shaft			
5329	109T1	Drive Shaft Retainer	5940	100UF	Level Wind Guard			
5334	10PXZ	Bushing	5942	100U9	Yoke Spring			
5346	10EX5	Spacer B	5944	10LV0	Screw			

Please note that the number of adjusting washers may not be the same as shown in the exploded views.
(Adjustment will vary with each individual product.)

(240623)_008