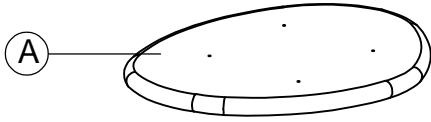


SVEN SMALL COFFEE TABLE ASSEMBLY INSTRUCTIONS



PARTS PACKING CONFIGURATIONS

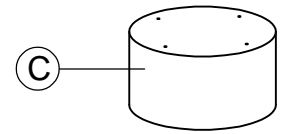
BOX #1
A. TABLE TOP 1PC



B. CONNECTING PLATE 1PC



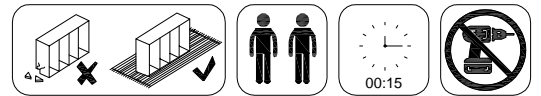
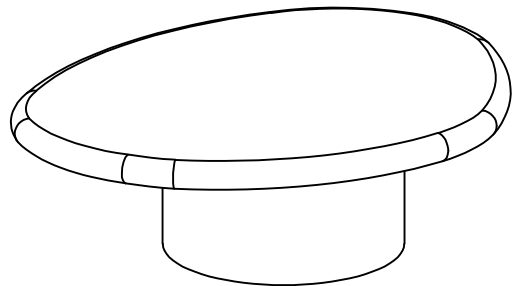
BOX #2
C. BASE 1PC



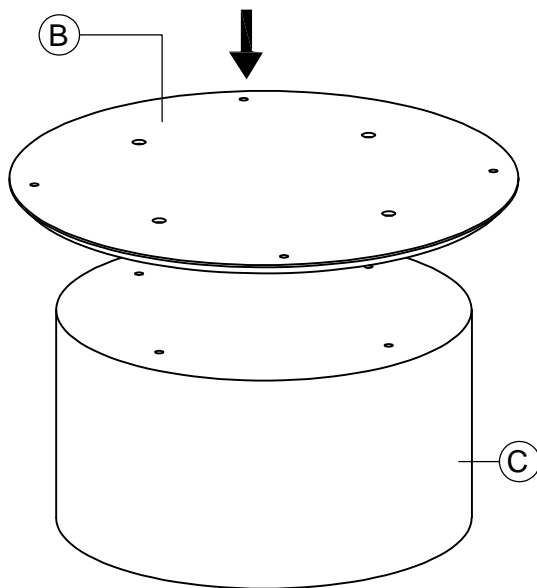
HARDWARE KIT PACKED IN BOX #2

NO.	DESCRIPTION	IMAGE	QTY
1	ALLEN BOLT (M8x30mm)		8 PCS
2	ALLEN KEY (M5)		1 PC

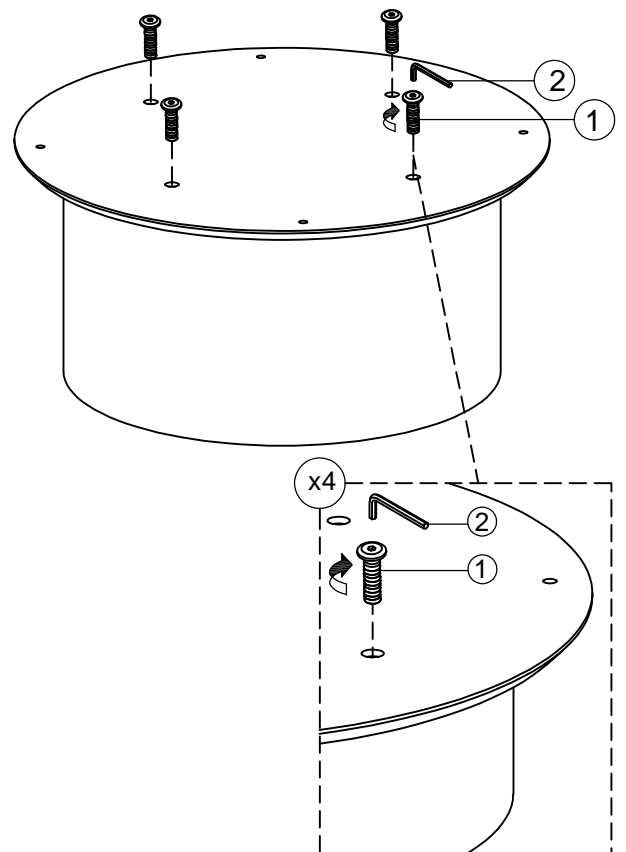
FULLY ASSEMBLED



STEP 1



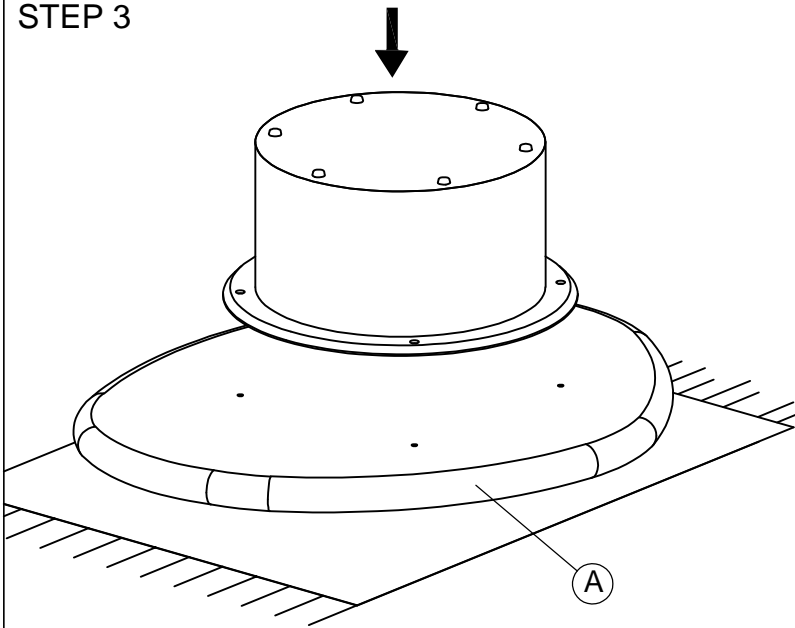
STEP 2



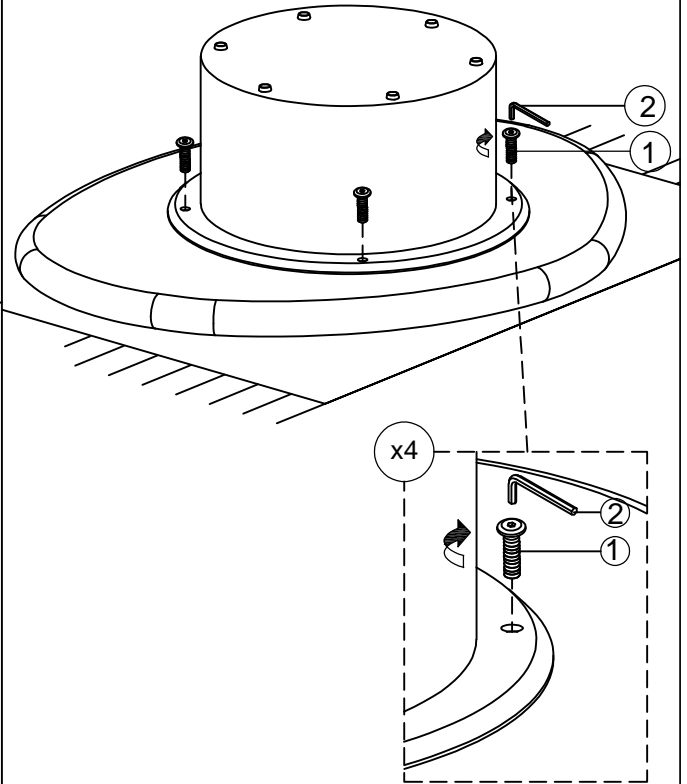
SVEN SMALL COFFEE TABLE ASSEMBLY INSTRUCTIONS



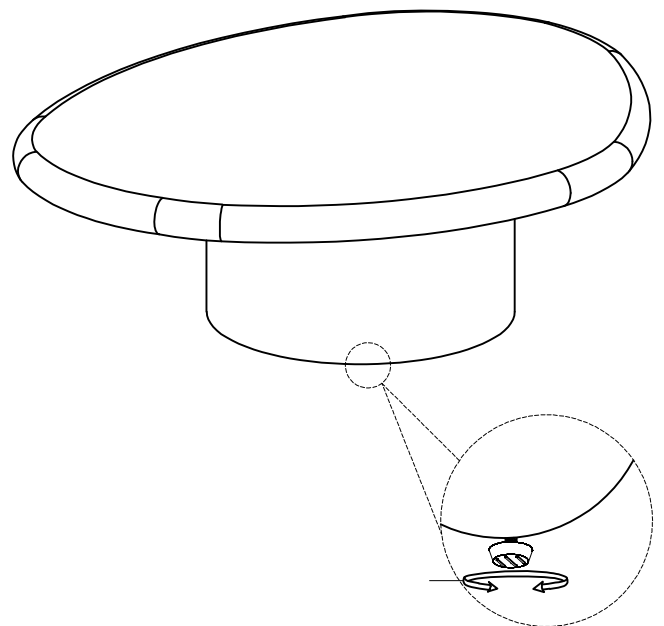
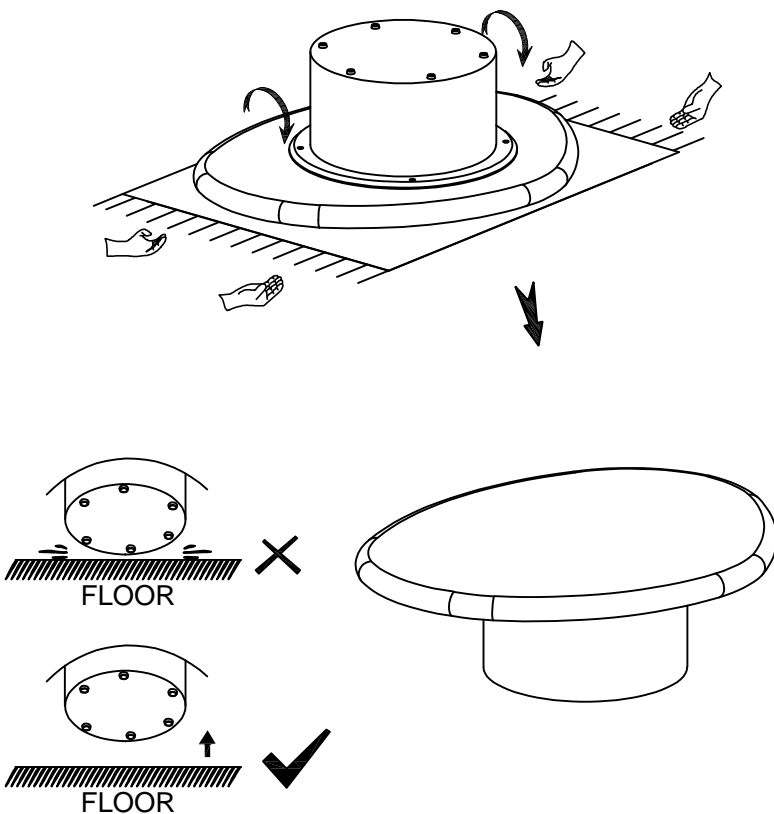
STEP 3



STEP 4



STEP 5



ASSEMBLY COMPLETE