

6060E DROP-IN

Key Attributes

Shape: CORNER
 Material: ACRYLIC
 Soaker Weight: 100 lbs
 Jetted Weight: 130 lbs
 Average Fill Capacity*: 60-70 gal
 *Estimated with occupant inside. May vary based on occupant's volume.

Required Electrical

Air Bath or Whirlpool..... 1x 15 amp GFCI
 Whirlpool w/ Inline Heater..... 1x 20 amp GFCI
 Whirlpool & Air Jetted..... 1x 20 amp GFCI
 Soaker..... n/a

Service 110v

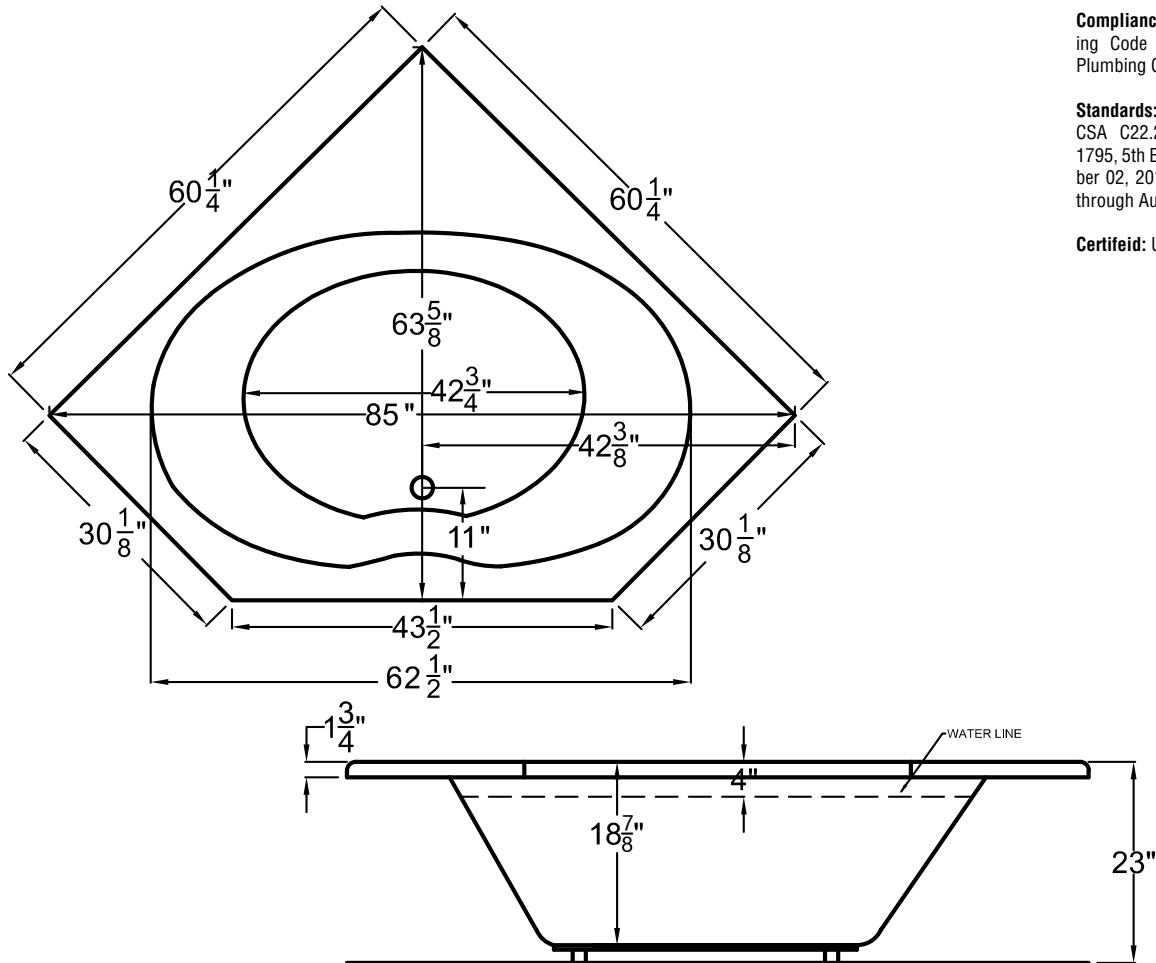
Available Therapy Systems

6060E(S) Non-Jetted Soaking
 6060EW Whirlpool Jetted
 6060EA Air Jetted
 6060ED Whirlpool & Air Jetted
 6060ED*X Whirlpool & Air Jetted Deluxe

Key Measurements (inches)

Overall Outer: **85 L x 63.625 W x 23 H**
 Overall Interior: **43.5 L x 31.5 W x 18.875 H**
 Interior Base: **42.75 L x 31 W**
 Built-in Seat: n/a
 Soaking Depth: 14.875
 Drain to Side Wall: 42.375
 Drain to Nearest Wall: 11
 Lip Size: 1.75
 Deck Space: 4.875
 Tile Flange: n/a
 Arm Rest: n/a

It is vital that tub is completely level for drain to work properly.



Compliance: Uniform Plumbing Code UPC®; International Plumbing Code IPC®; ADA

Standards: ASME A112.19.15; CSA C22.2 No. 218.2-15; UL 1795, 5th Edition Issued September 02, 2016 including revisions through August 25, 2017

Certified: UPC, EGS

- **IMPORTANT!** TEST THE TUB'S DRAIN AND JETS (if any) BEFORE PERMANENT INSTALLATION!
- **INSPECT THE TUB WHEN RECEIVED!** Report any damages or missing parts within 5 business days of delivery date.
- Before ordering or installing, please consider future access to equipment.
- **Please measure tub on-site before building tub surrounding!**
- Jet, pump & blower locations are predetermined and cannot be changed.
- Tub door must remain closed when not in use.
- Please note that installer(s) must be certified or warranty will be voided.
- Measurements are subject to a +/- .5" variance and subject to change without notice. Measurements here in supersede all other published specs prior to publication date shown below.
- Inline heater (if included) is designed to maintain water temperature during operation. It will not heat cold water to desired bathing temperature.
- Product must be registered for warranty activation. See user manual or visit SWCORP.com/register for more information.