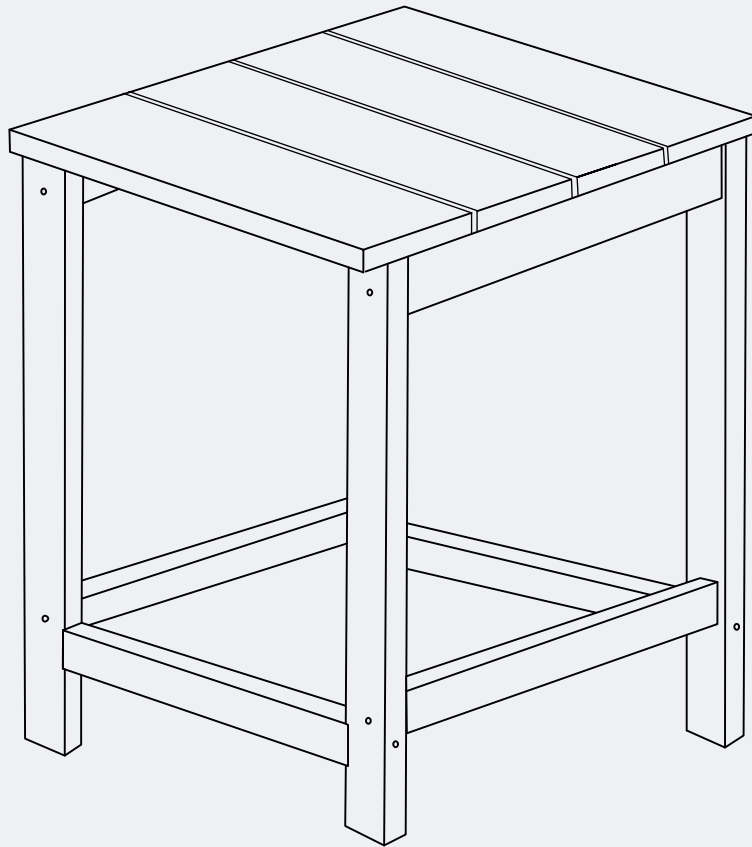


INSTRUCTION MANUAL



Kids Outdoor Poly Adirondack Side Table

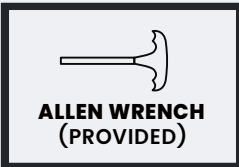
V1.0

! CARE & MAINTENANCE

Please keep this instruction for your future reference.

- Be careful when assembly, avoid hurting the top surface.
- Clean the table with lukewarm water, mild detergent & soft cloth.
- Firmly secure all bolts before use, do not use any part of this item as a step ladder.
- Reconfirm that all bolts, screws, and nuts are secure every 90 days.
- Do not use or store this item in the proximity of open flame or flammable/combustible chemicals.
- Be aware that some parts are heavy and have sharp edges.
- Do not overtighten screws. (Insert all screws before tighten screws.)
- Please do not exceed the weight limitations of this item.

TOOLS REQUIRED



**TABLE
50 LBS
CAPACITY**

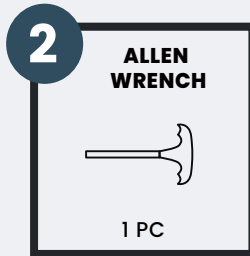
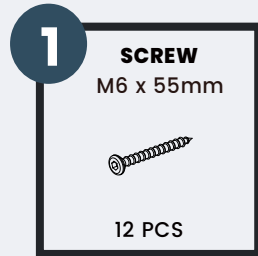


**1 PERSON
ASSEMBLY**

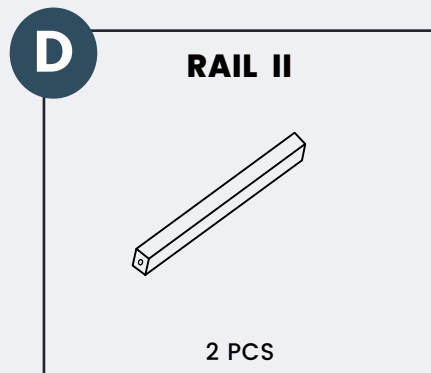
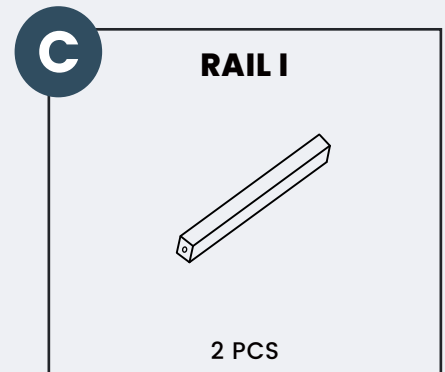
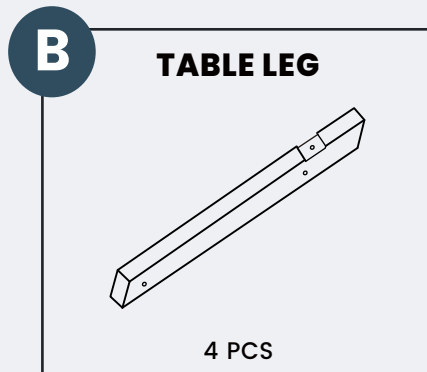
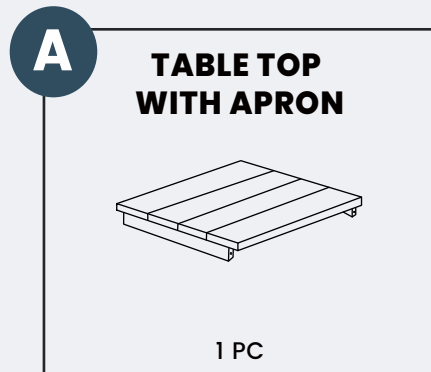


**UP TO 20 MIN.
ASSEMBLY**

HARDWARE

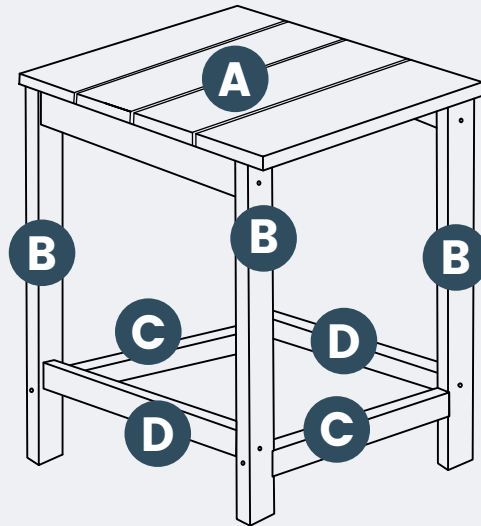


PARTS



PRODUCT ASSEMBLY – OVERALL VIEW

Look at the overall view of this table and learn the exact position of each part to be assembled.

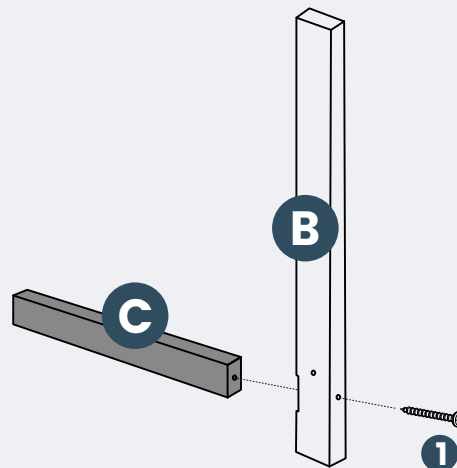


PRODUCT ASSEMBLY

1

Place **Part C Rail 1** in to the mortise of **Part B Table Legs** and attach with 1 pc of **Hardware #1 Screw**.

Do not tighten screws too much at this stage.

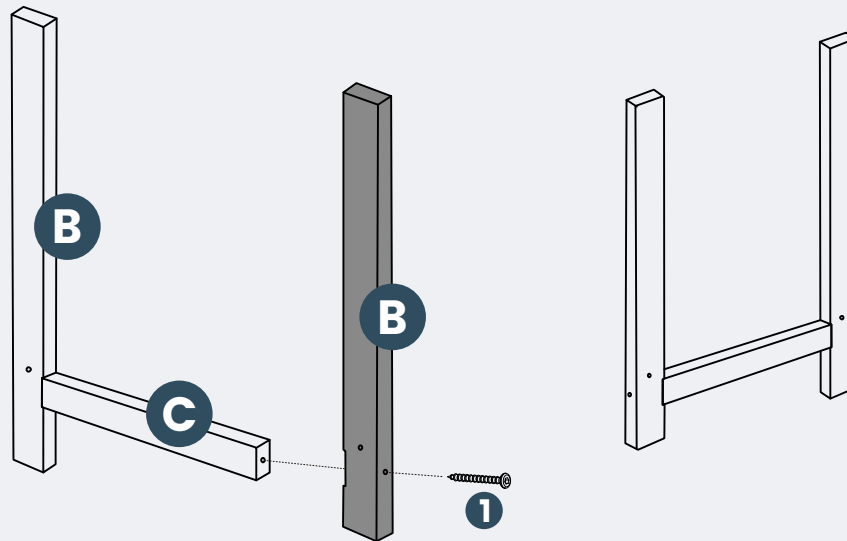


PRODUCT ASSEMBLY

2

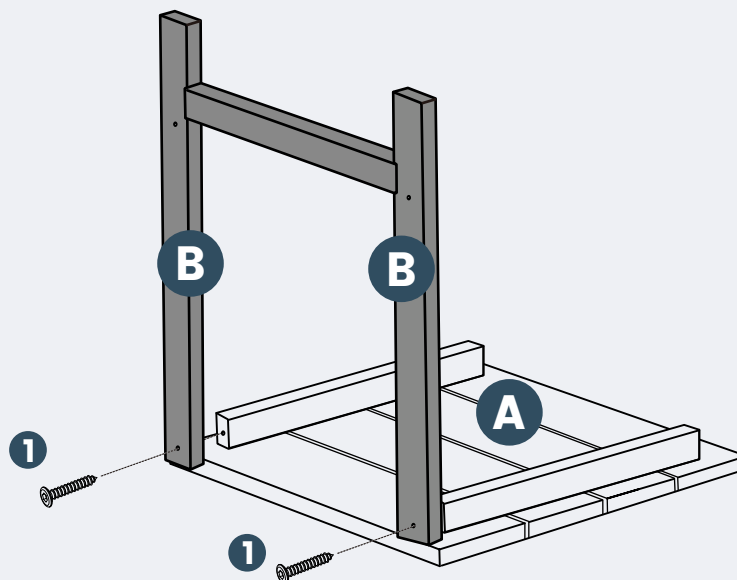
Attach another **Part B Table Legs** to **Part C Rail I** with 1 pc of **Hardware #1 Screw**.

Do the same to attach another set of **Part B** and **C**.



3

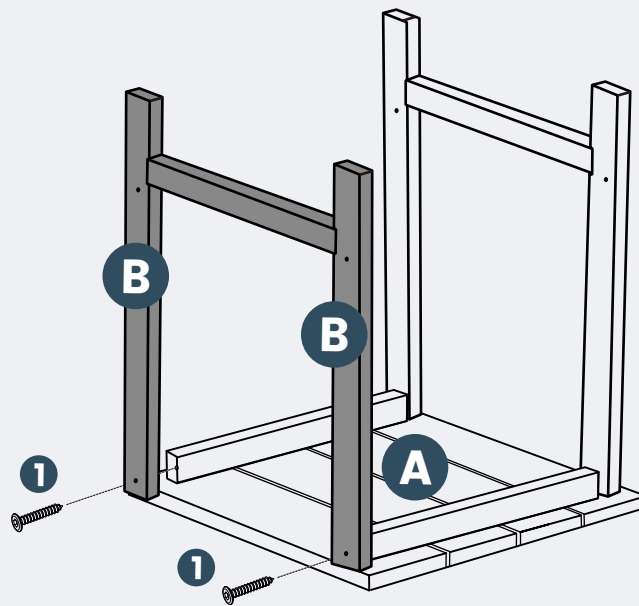
Loosely attach the combined **Part B** and **C** to the aprons of **Part A Table Top** with 2 pcs of **Hardware #1 Screw**.



PRODUCT ASSEMBLY

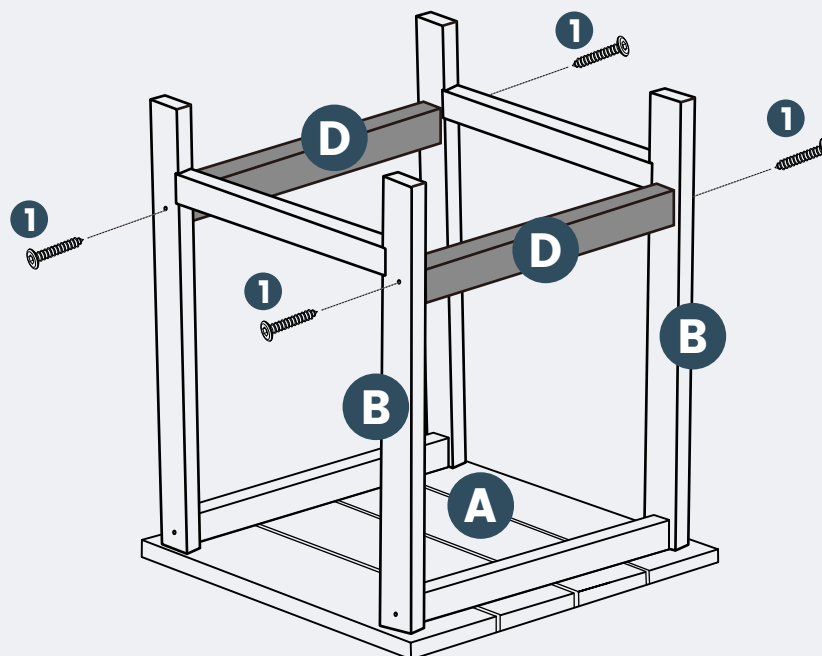
4

Attach the other combined **Part B** and **C** to the aprons of **Part A Table Top** with 2 pcs of **Hardware #1 Screw**.



5

Place the other 2 pcs of **Part D Rail II** between **Part B Table Legs** and attach them with 4 pcs of **Hardware #1 Screw**.

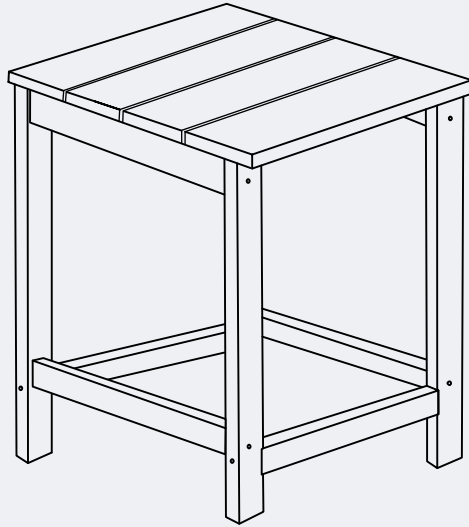


PRODUCT ASSEMBLY

6

Tighten all the screws when all the parts are loosely attached.

Turn over the table and enjoy it now.



CLEANING TIPS

REGULAR CLEAN: Use a mixture of warm water and mild soap. Gently scrub the surface with a soft bristle brush to remove any dirt or stains.

QUICK CLEAN: You can simply wipe down the furniture with a damp cloth.

Regular cleaning not only preserves the aesthetic appeal of your furniture, but also helps extend its lifespan.