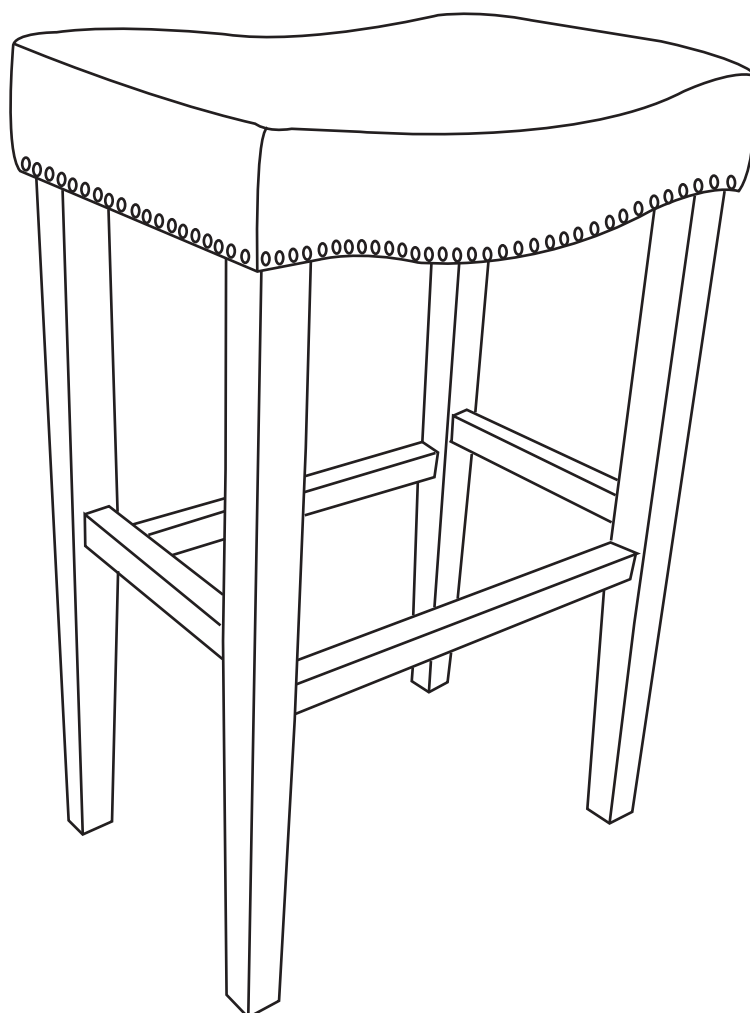



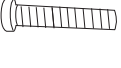



## ASSEMBLY INSTRUCTIONS



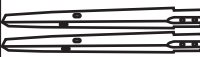
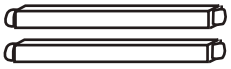
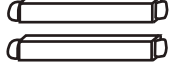
# 29" Upholstered Nail Head Counter Stool

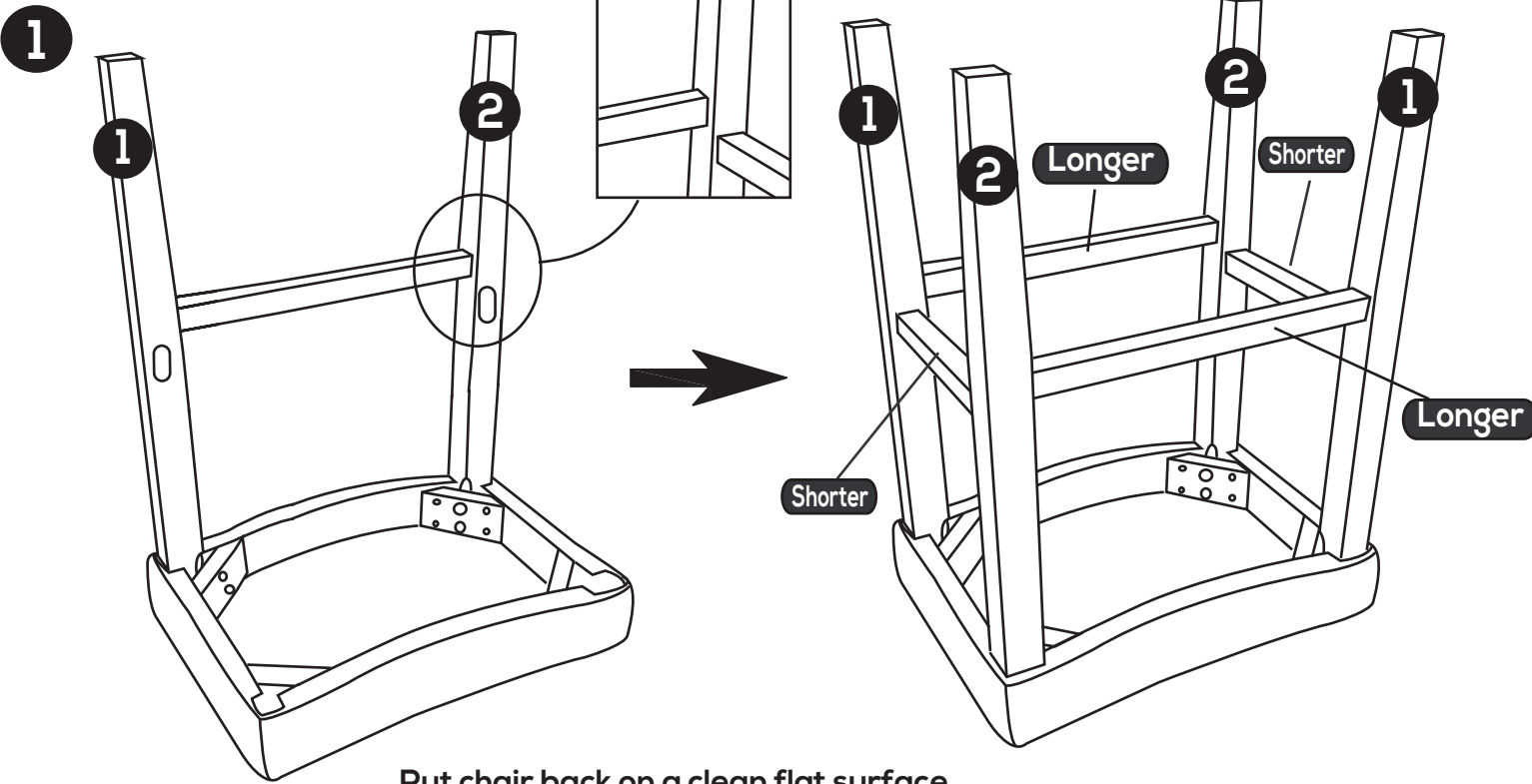


# Hardware:

<b>A×8</b>  Φ8 Flat washer	<b>B×8</b>  Φ8 Lock washer	<b>C×1</b>  M8 Allen key	<b>D×8</b>  M8×60MM Screws	<b>E×8</b>  M4.5×45MM Self-tapping Screw
---	--	--	--	--

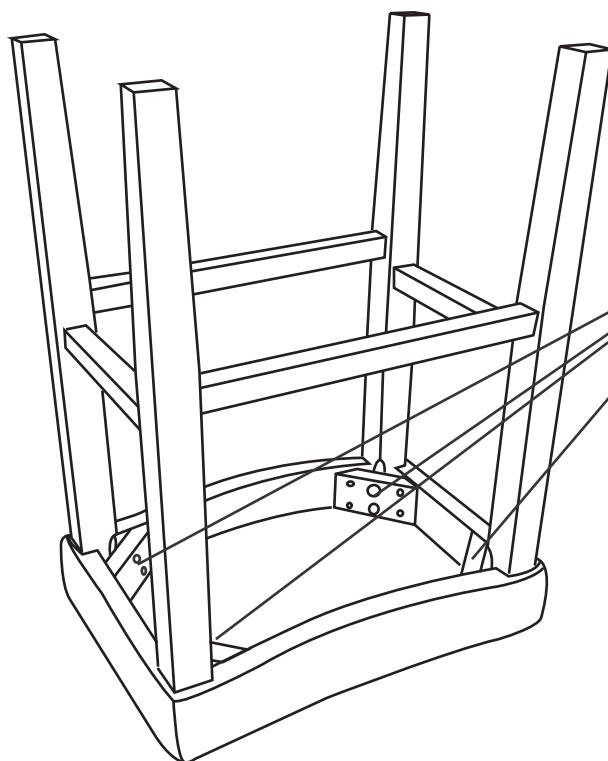
## Parts list:

<b>F×1</b>  Back	<b>G×2</b>  <b>1</b> Legs
<b>G×2</b>  <b>2</b> Legs	<b>G×2</b>  Longer Footrest
	<b>H×2</b>  Shorter Footrest



Put chair back on a clean flat surface.  
Please note put the legs on correct hole site as shown in the diagram

**2**

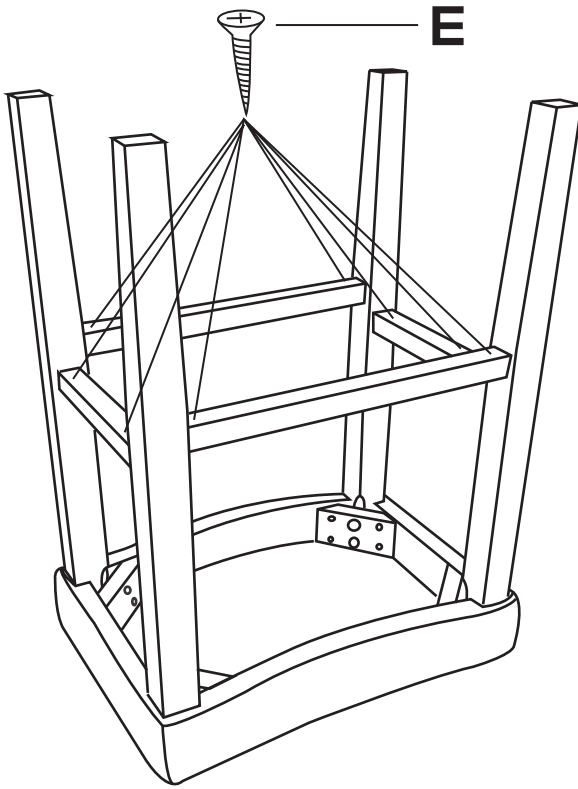


Align front legs in the seat pad as shown in the diagram.

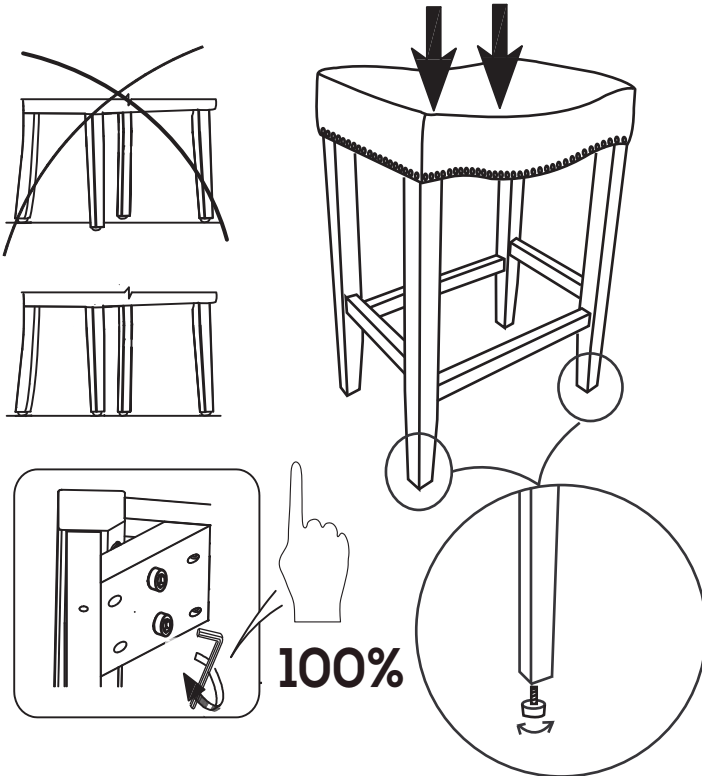
Using SCREW (D) with Washer (#A,B).

DO NOT FULLY TIGHTEN.

First HAND tighten then tightened using key (C) up-to 60-80% only at this stage.

**3**

Using your own screwdriver 100% lock Self-tapping Screw (E) as shown in the diagram

**4**

Put chair in the upright position and **SIT ON THE CHAIR** to press downwards on the seat pad ensuring that all 4 feet touch the ground and chair is leveled.

Proceed to tighten all screws making sure the chair remains level when tightening.

Check that all screws are tight on a regular basis to ensure chair remains level and secure.

Also you can using adjustable feet to keep four legs level .

