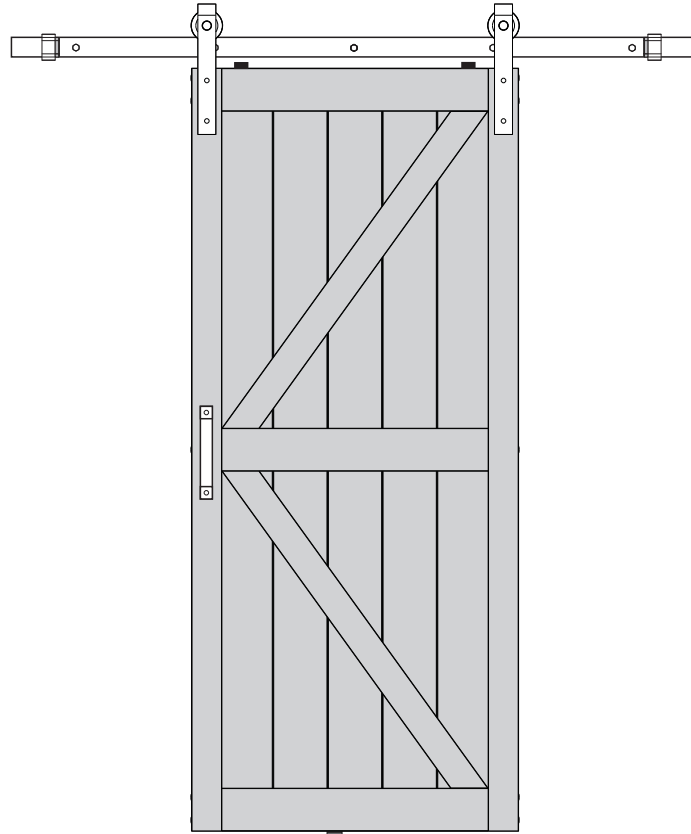


ANZZI®

ITEM: ID-AZBD01
ID-AZBD02
ID-AZBD03
ANZZI BARN DOOR
INSTALLATION & OPERATION MANUAL

V1.1
08/16/2024



DON'T WAIT! REGISTER NOW!

Register your product within 90 days to ensure your product is recognized as an official purchase and is eligible for warranty coverage.

Register online at <https://anzzi.com/pages/register> or scan the QR code at PG. 2.



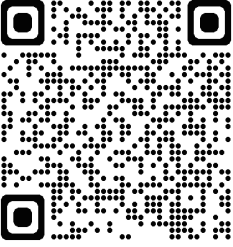
PRODUCT REGISTRATION*

IMPORTANT: Warranty will not be recognized unless product is registered.

Register online at <https://anzzi.com/pages/register> or Scan the QR code below.
Registering online is fast, secure, and ensures we receive your information.

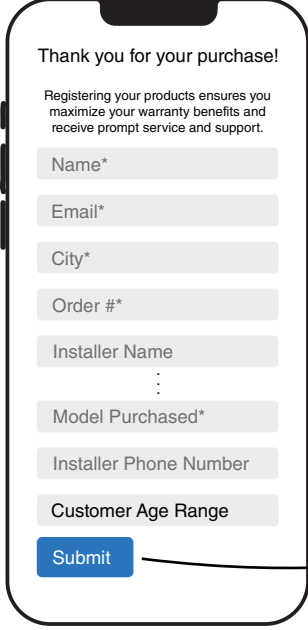
1

SCAN QR CODE



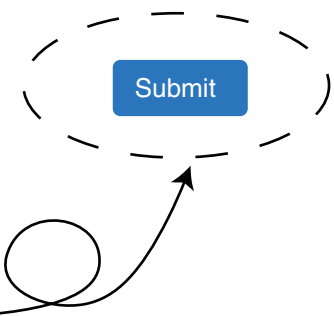
2

FILL IN THE
REGISTRATION FORM



3

CLICK SUBMIT TO FINISH
PRODUCT REGISTRATION



Need help? For technical support call **305-614-4070** or visit us at www.ANZZI.com

INSTALLATION GUIDE

BEFORE YOU BEGIN

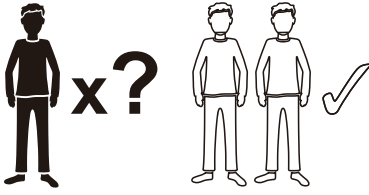
- Please check the product for damage and missing parts immediately upon delivery. Damage reported later will not be covered by our warranty. Please handle the product with care. Avoid any impact to the sides and edges of the door.
- Consult your local building codes before installation.
- Read instructions fully before starting the installation of your barn door. Not following the installation instructions can cause the unit to work in an unsafe manner and cause injury.
- The barn door kit has been designed to work as a total system. Any modification to the door or the hardware will void the warranty and may cause the unit to work improperly.



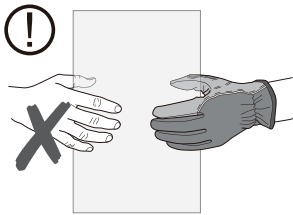
WARNING

- Due to the weight of the barn door, installation requires two people. Always wear appropriate personal protection equipment when using tools and follow manufacturer's operating instructions.
- When installing directly into a non-concrete wall, do not attempt to install the track solely to the drywall or any wall surface as this may not support the weight of the track and mounted door.
- The track must be installed onto a piece of solid wood blocking using mounting screws (included in some complete kits).
- Ensure the solid wood blocking is secured into the structural surface.
- Use a stud finder where necessary to locate studs and secure safely.
- Typical solid wood blocking should be a 1"x4" solid wood board the length of the track.

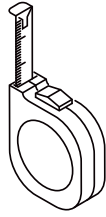
TOOLS REQUIRED



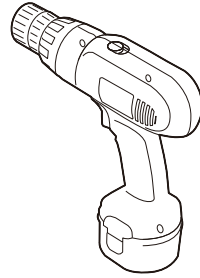
- The help of a second person may be required due to product's weight.



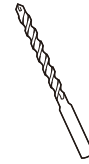
- Use cut-resistant, non-slip gloves to reduce the risk of personal injury and to hold the glass firmly.



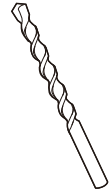
Tape Measure



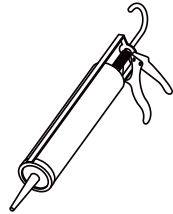
Drill



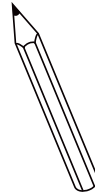
5/16"
(8mm)
Drill Bit



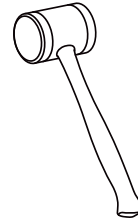
3/8"
(10mm)
Drill Bit



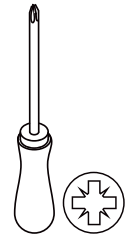
100%
Silicone
Sealant



Pencil



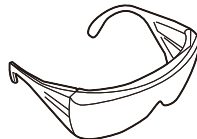
Rubber
Mallet



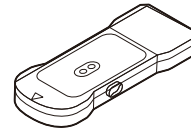
Phillips
Screwdriver



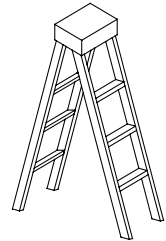
Level



Safety
Glasses



Stud Finder



Ladder



13mm
Wrench



16mm
Wrench



17mm
Wrench



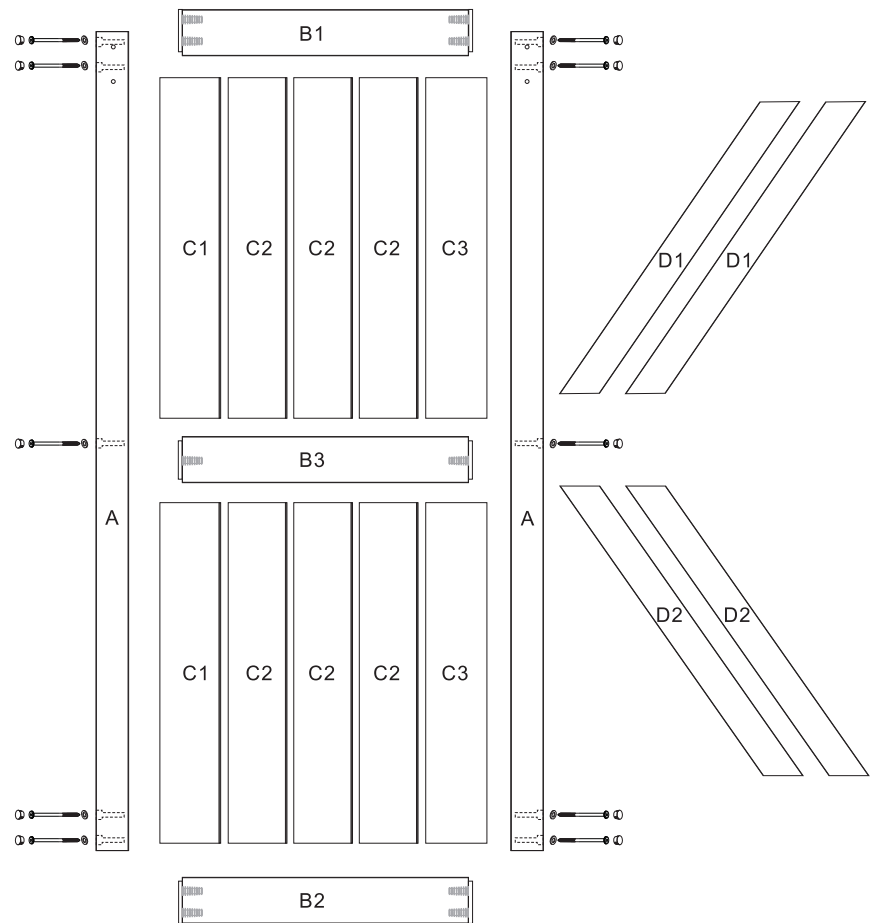
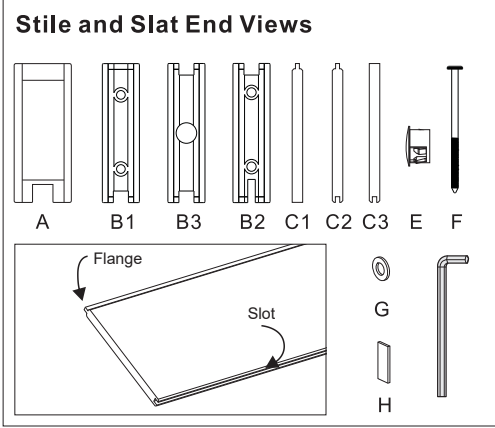
This product is heavy and may require two people to install.



PARTS

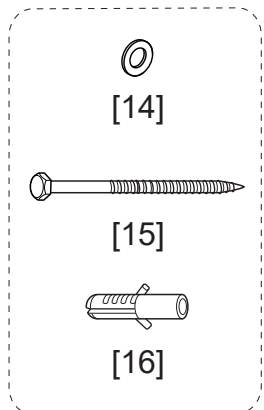
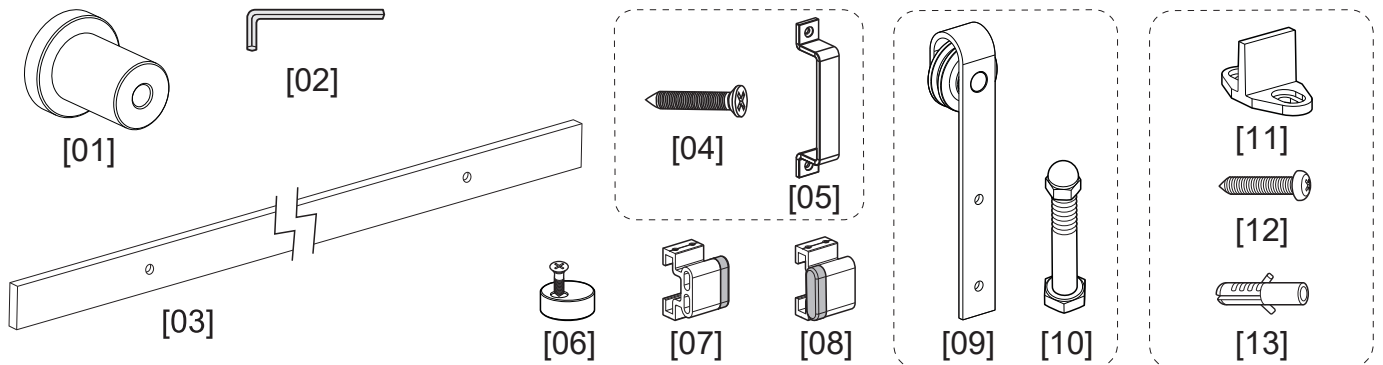
DOOR

Part	Description	Qty.
A	Side Stile	2
B1	Top Rail	1
B2	Bottom Rail	1
B3	Middle Rail	1
C1	Left Side Slat	2
C2	Middle Slat	6
C3	Right Side Slat	2
D1	K Diagonal Overlay (with 3M Tape)	2
D2	K Diagonal Overlay (with 3M Tape)	2
E	Cover	10
F	Carriage Bolt	10
G	Washer	10
H	Gasket	4



Note: Add Gaskets [H] between Side Stilts [A] and Left Side Slats [C1] or Right Side Slats [C3] to secure the slats tightly if necessary.

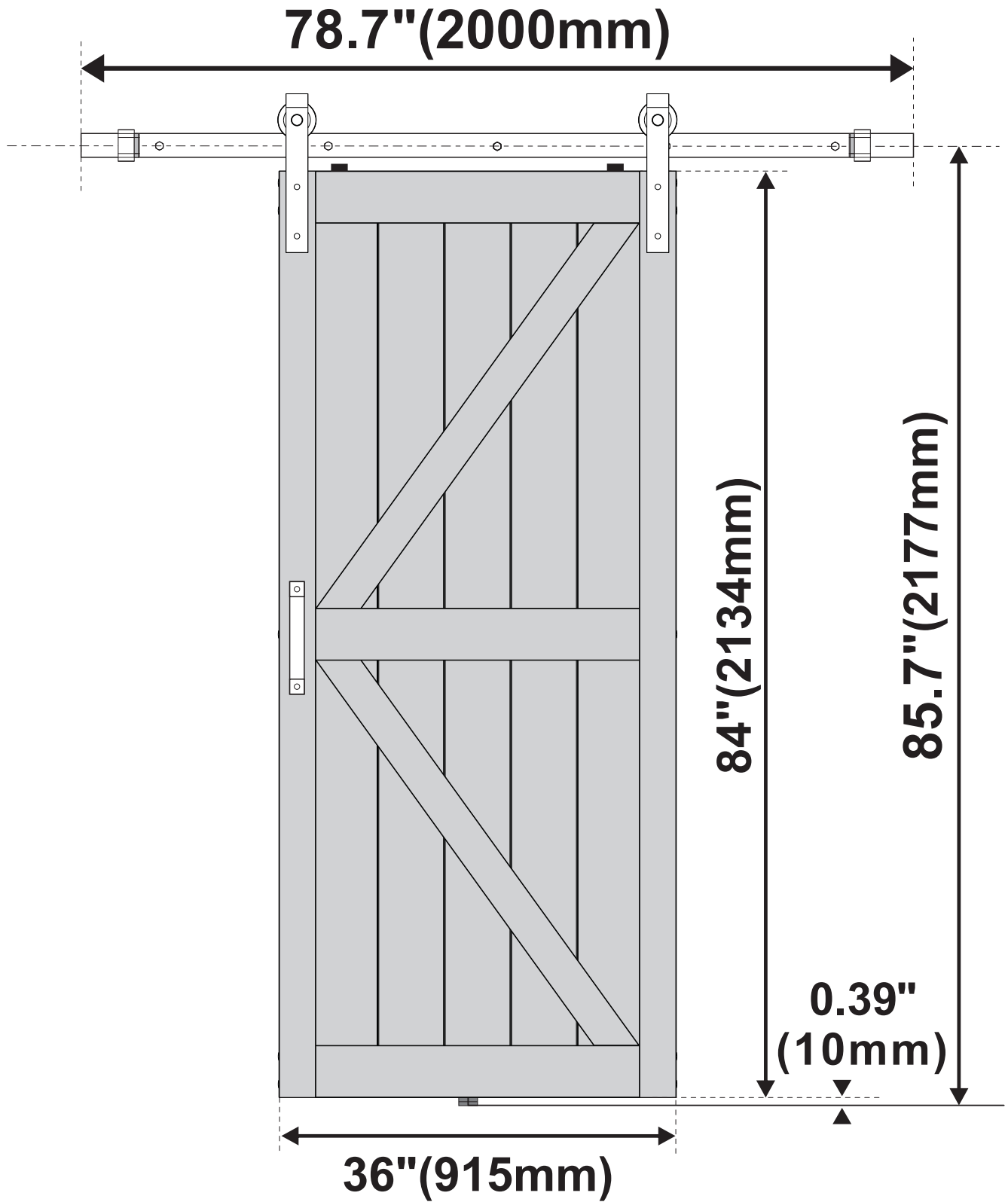
DOOR KIT



Part	Description	Qty.
[01]	Spacers	5
[02]	Allen Wrench	1
[03]	Track	1
[04]	Screw	2
[05]	Handle	1
[06]	Anti-jump Block	2
[07]	Left Stopper	1
[08]	Right Stopper	1

Part	Description	Qty.
[09]	Top Mount Roller	2
[10]	Bolt assembly	4
[11]	Door Guide	1
[12]	#8 Screw	2
[13]	5/16" Anchor	2
[14]	Gasket	5
[15]	5/16" X 3.5" Bolt	5
[16]	3/8" Anchor	5

PRODUCT SIZE CHART





ATTENTION

- To avoid personal injury or property damage, identify components and read all instructions before installing.

INSTALLATION INSTRUCTION

Step 1

Lay out **Side Stile [A]** on flat, clean surface with cloth under it. Make sure the groove side is to the inside. Attach **Top Rail [B1]**, **Bottom Rail [B2]**, and **Middle Rail [B3]** to **Side Stile [A]** by inserting the **Flange** into the groove as figure shows below. Fasten the rails with **Washers [G]** and **Carriage Bolts [F]**.

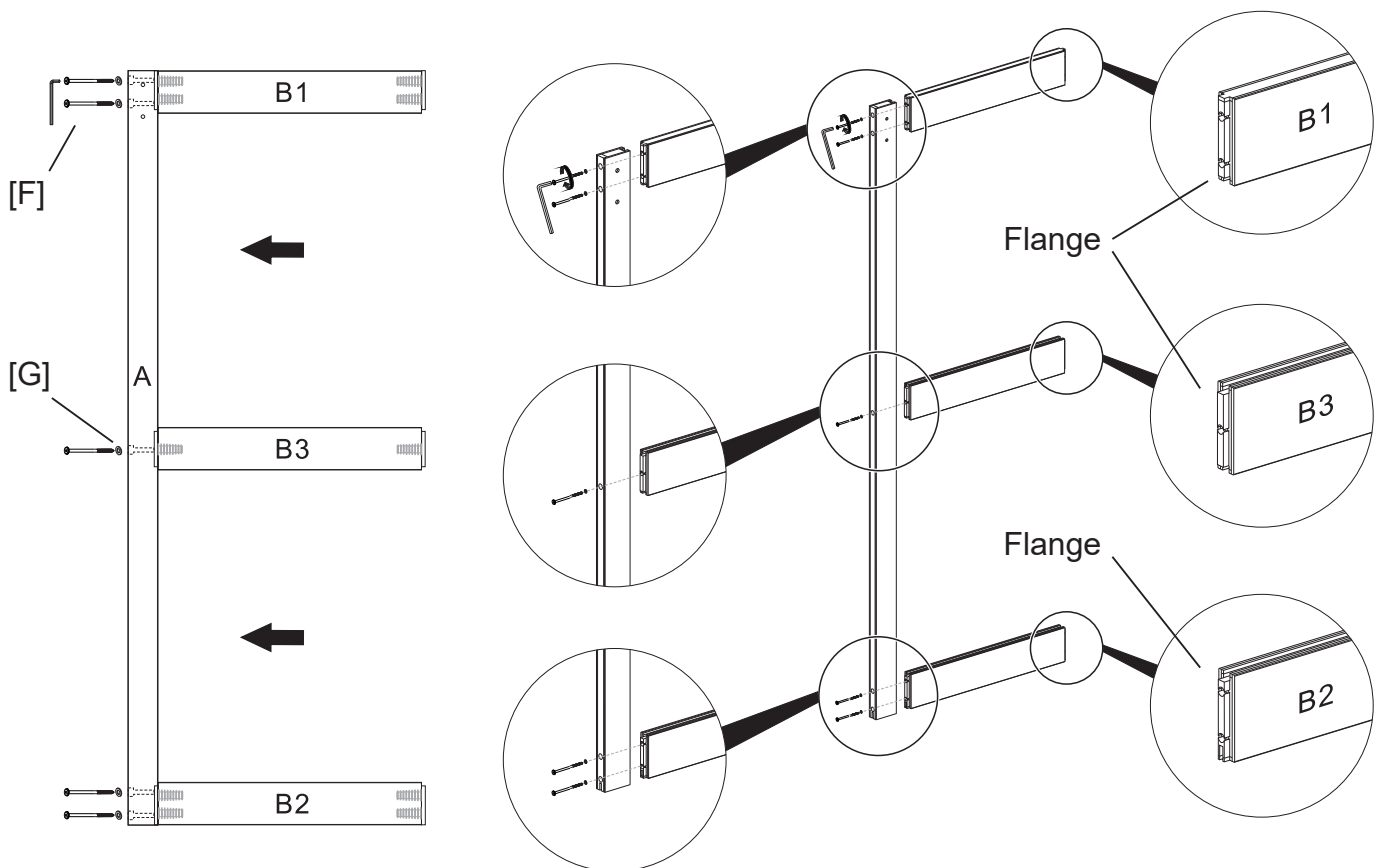


Fig 1

Step 2

1. Assemble one **Left Side Slat [C1]** follow by three **Middle Slat [C2]** and one **Right Side Slat [C3]** between **Top Rail [B1]** and **Middle Rail [B3]**.
2. Install the rest of slats between **Bottom Rail [B2]**, and **Middle Rail [B3]** in the same manner as step 1.

Note: Make sure the **Flange** of the **Left Side Slat [C1]** faces to the **Slot** of the first **Middle Slat [C2]**, the **Flange** of the first **Middle Slat [C2]** faces to the **Slot** of the second **Middle Slat [C2]**, the flange of the second **Middle Slat [C2]** faces to the slot of the third **Middle Slat [C2]** and the **Flange** of third **Middle Slat [C2]** face to the **Slot** of **Right Side Slat [C3]**.

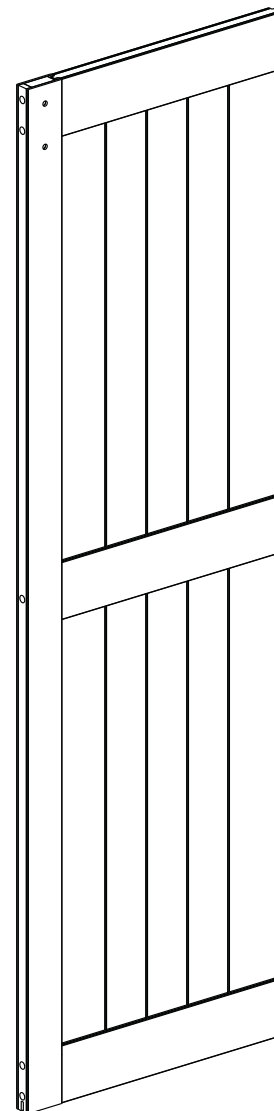
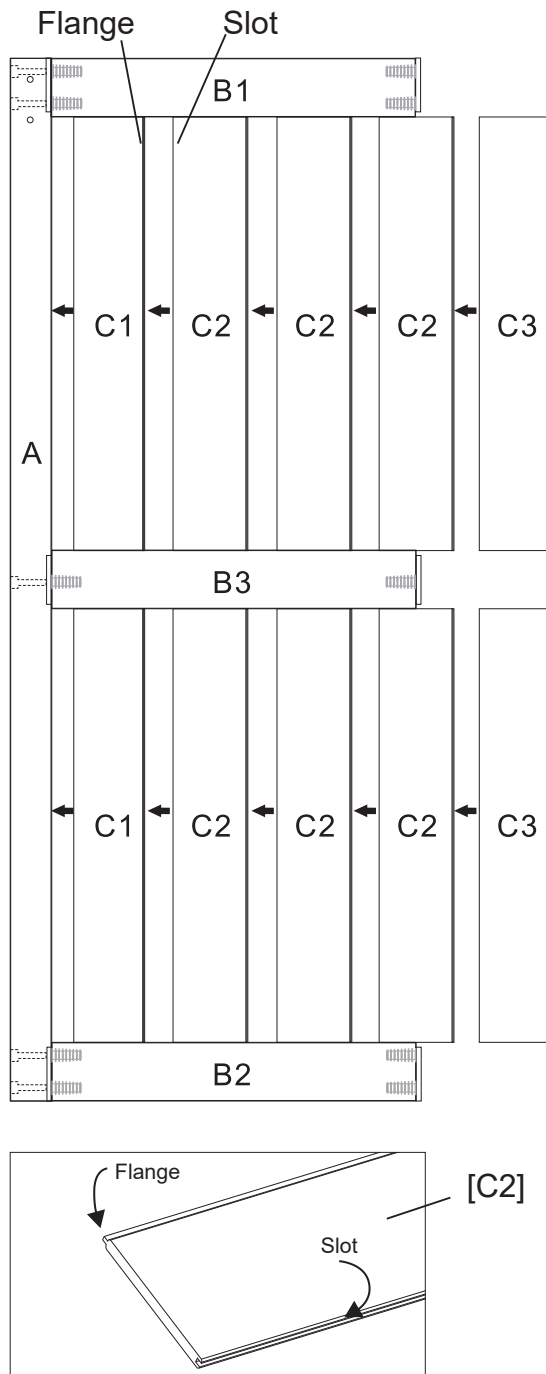


Fig 2

Step 3

Assemble **Side Stile [A]** with groove facing to the rails and slats. Fasten it with **Washers [G]** and **Carriage Bolts [F]**.

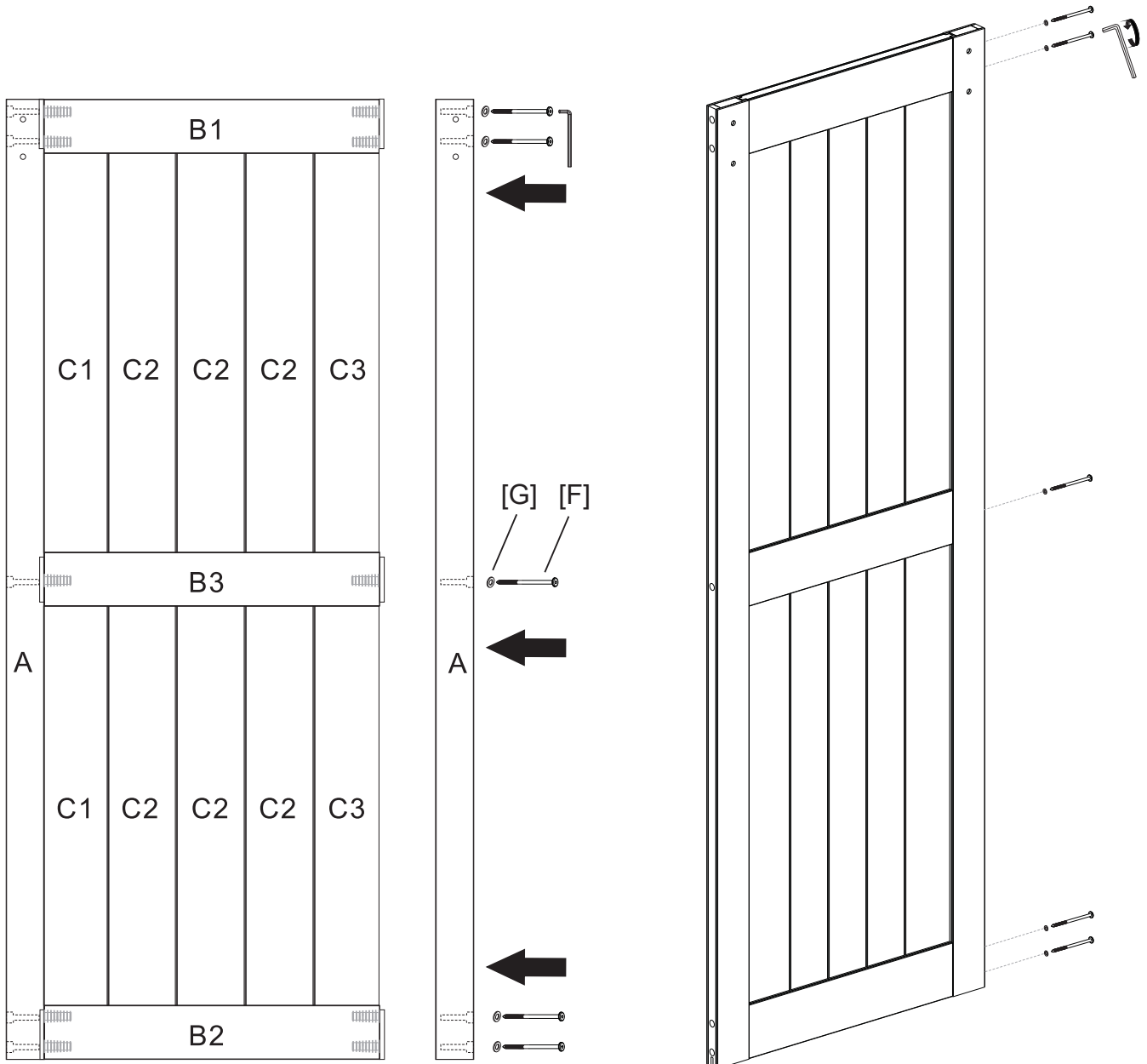


Fig 3

Step 4

1. As shown in figure 4, remove the release liner of the tape and adhere **K Diagonal Overlay [D1]** and **K Diagonal Overlay [D2]** onto the assembled door.
2. Adhere another **K Diagonal Overlay [D1]** and **K Diagonal Overlay [D2]** onto the other side of assembled door in the same way.

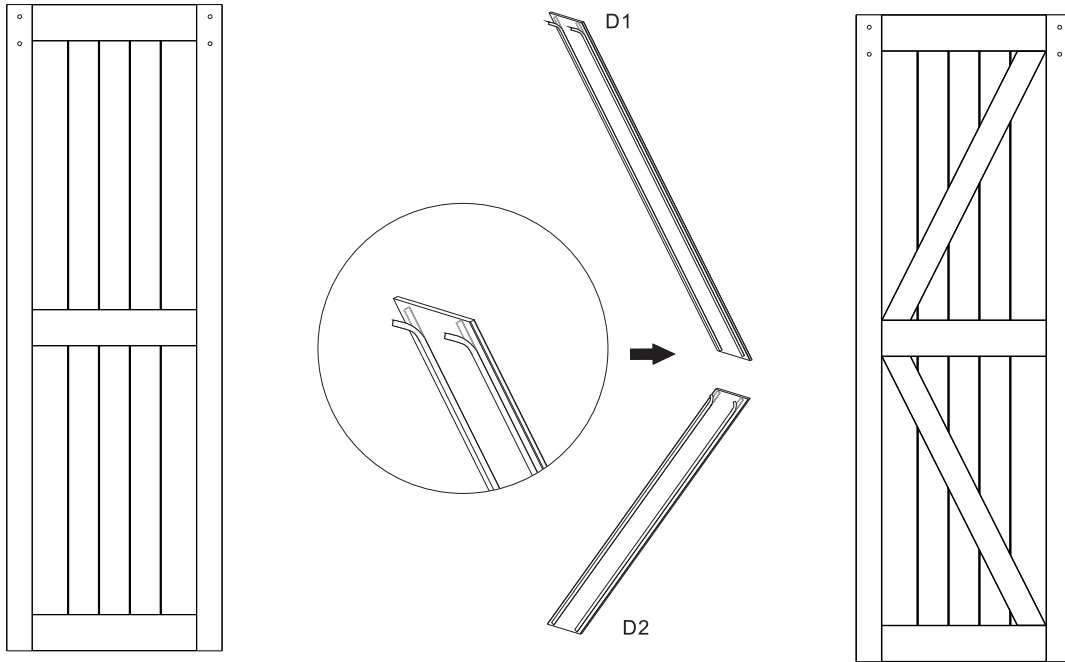


Fig 4

Step 5

Install the **Covers [E]** to the side of door.

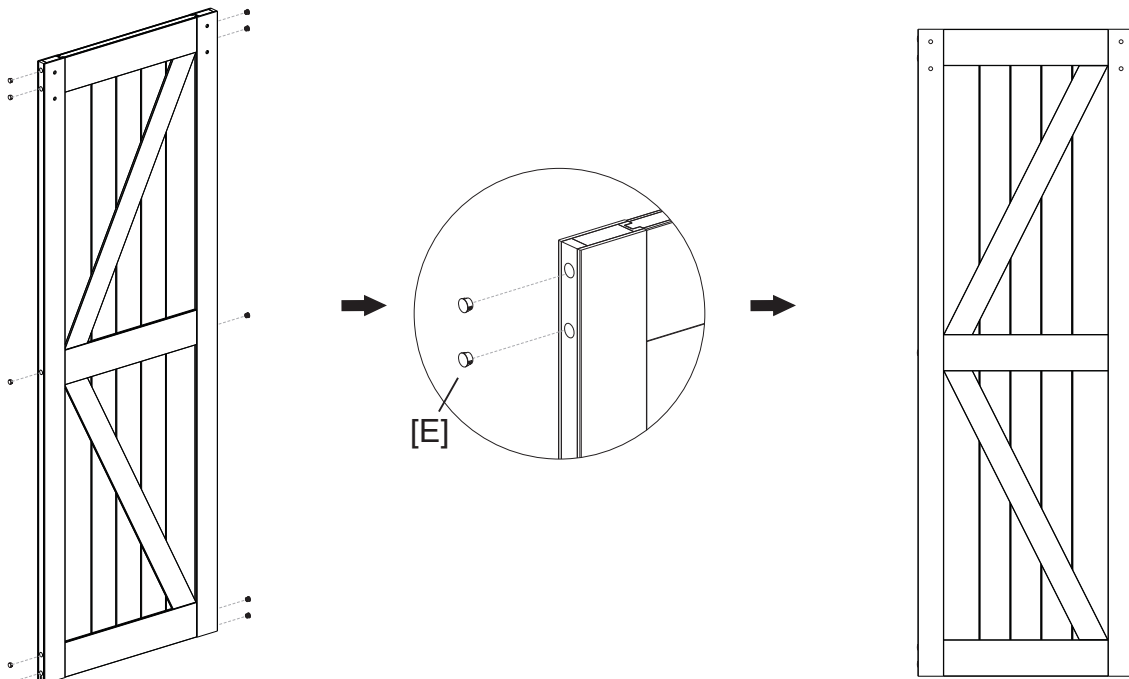


Fig 5

Step 6

1. This step requires a second person. Measure the center of **Track [03]** from the floor as figure shows. Measure one end of **Track [03]** from the edge of opening as figure shows. (Fig 6)
2. Hold the **Track [03]** on the wall and adjust to level position. Make sure the distance between the **Track [03]** and the floor is consistent.
3. Mark the screw holes of the **Track [03]** onto the wall. Then remove it.

Note: Make sure there is a wood frame behind the location of **Track [03]**.

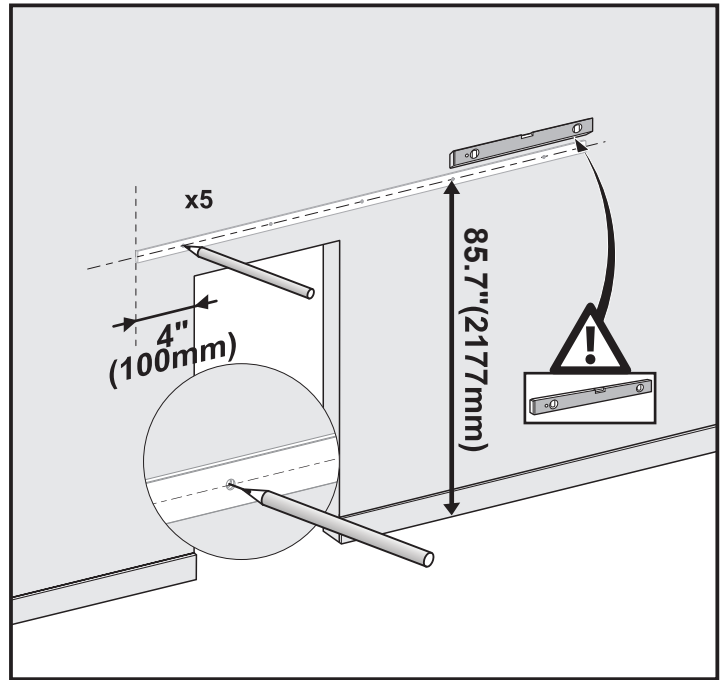


Fig 6

Step 7

Drill the holes at the screw locations in 2" deep using a 3/8" drill bit.

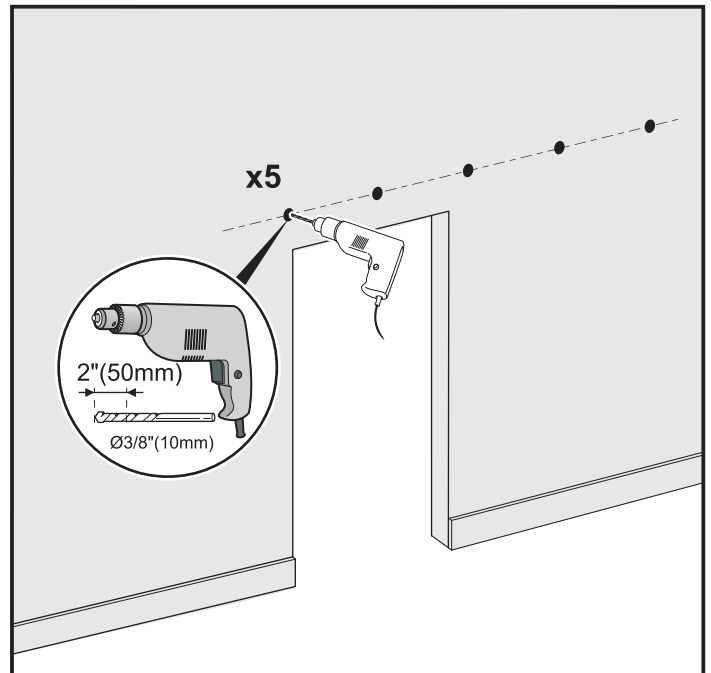


Fig 7

Step 8

1. Install **3/8" Anchors [16]** into the holes.
2. Place the **Spacers [01]** between the wall and the **Track [03]**. Secure the **Track [03]** with **Gaskets [14]** and **5/16" X 3.5" Bolts [15]**.
Tighten the bolts with 13mm Wrench.

Caution: Do not over tighten the bolts to avoid scratching the **Track [03]**.

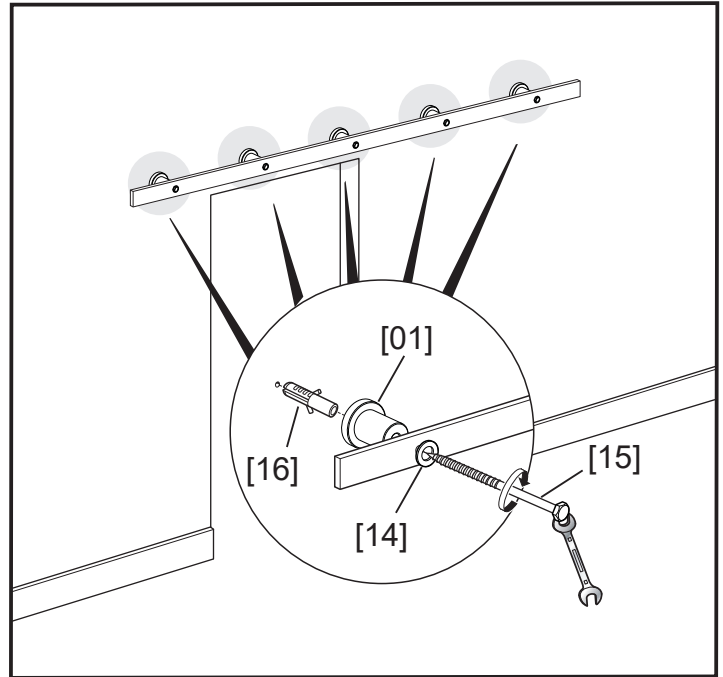


Fig 8

Step 9

1. Install **Top Mount Rollers [09]** to the front of the door and secure it with **Bolt assembly [10]** using 16mm & 17mm Wrenches as figure shows. (Fig 9)
2. Make sure there are washers between the bolts and door, nuts and **Top Mount Rollers [09]**.

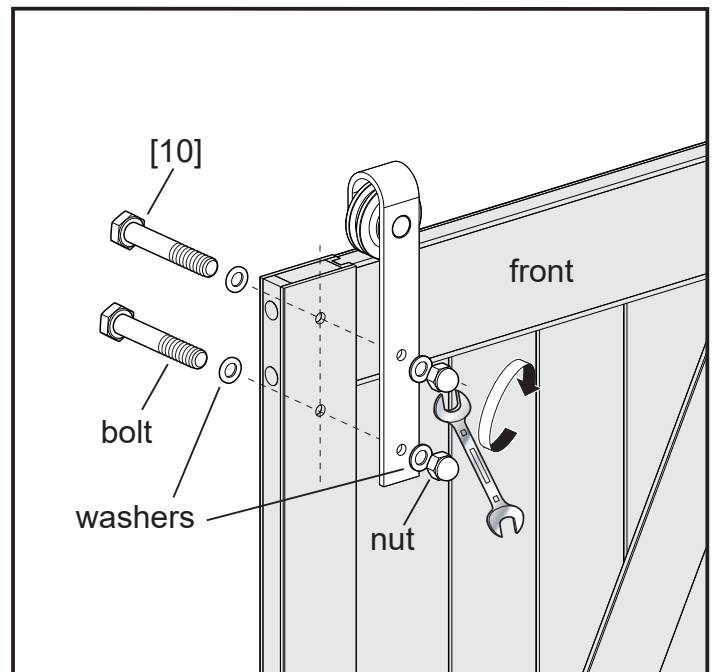


Fig 9

Step 10

Install **Anti-jump Blocks [06]** and secure them with screws as figure 10 shows. **Do not over tighten.**

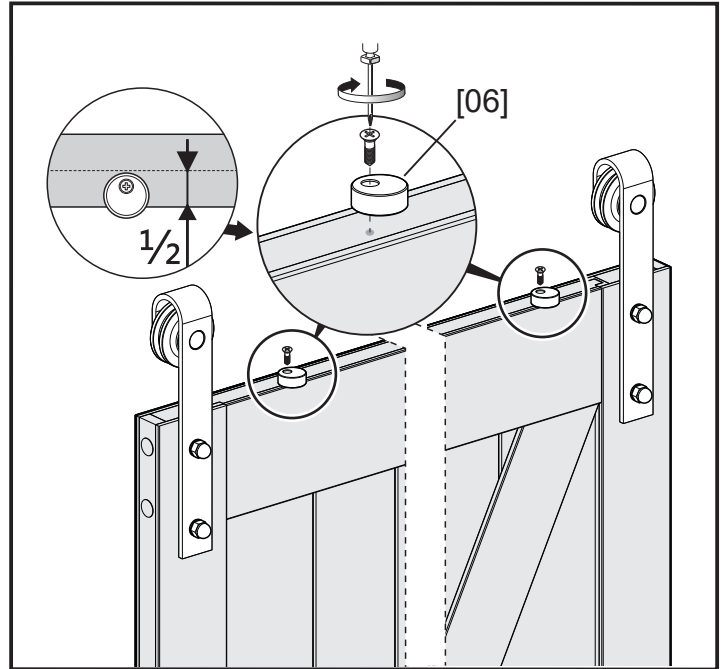


Fig 10

Step 11

1. Place assembled door with rollers onto track and rotate the **Anti-jump Blocks [06]** as figure shows.
2. Slide door back and forth to test how well the door covers the opening. (Fig 11)

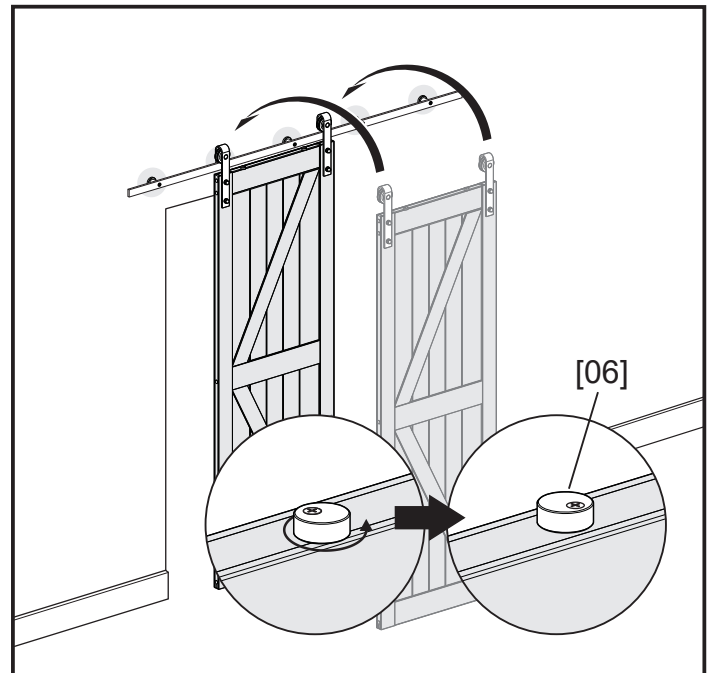


Fig 11

Step 12

1. Hold the door in straight position.
2. Position the **Door Guide [11]** inside the groove in the bottom of the door. Slide the door side to side to ensure the guide is properly placed.
3. Mark the screw holes of guide.
4. Drill the holes at the screw locations in 1.6" deep using a 5/16" drill bit.
5. Slide the door to one side and install the **5/16" Anchor [13]**.
6. Secure the **Door Guide [11]** with **#8 Screw [12]**.

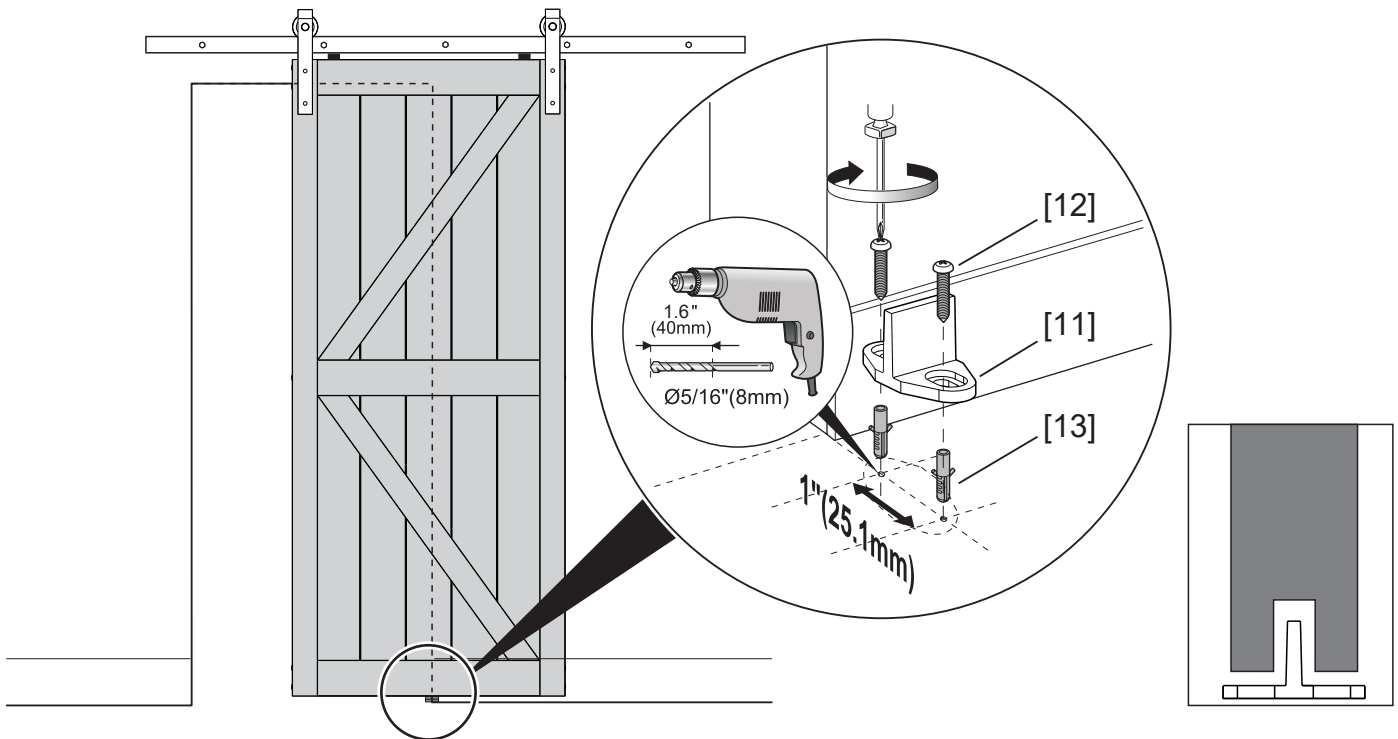


Fig 12

Step 13

1. Slide **Left Stopper [07]** on to the left and **Right Stopper [08]** on to the right ends of **Track [03]**.
2. Adjust the stoppers and secure with set screws using the allen wrench that is included with stoppers.

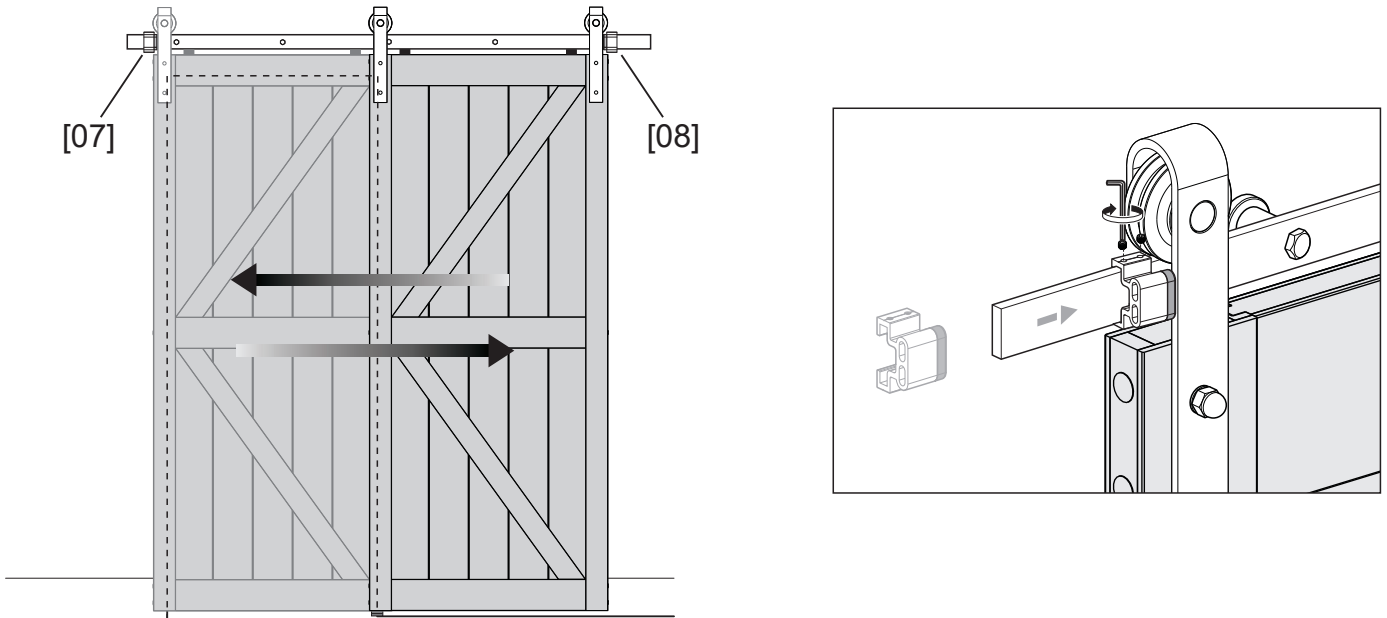


Fig 13

Step 14

Place the **Handle [05]** in the intended position on the door and secure it with **Screws [04]**.

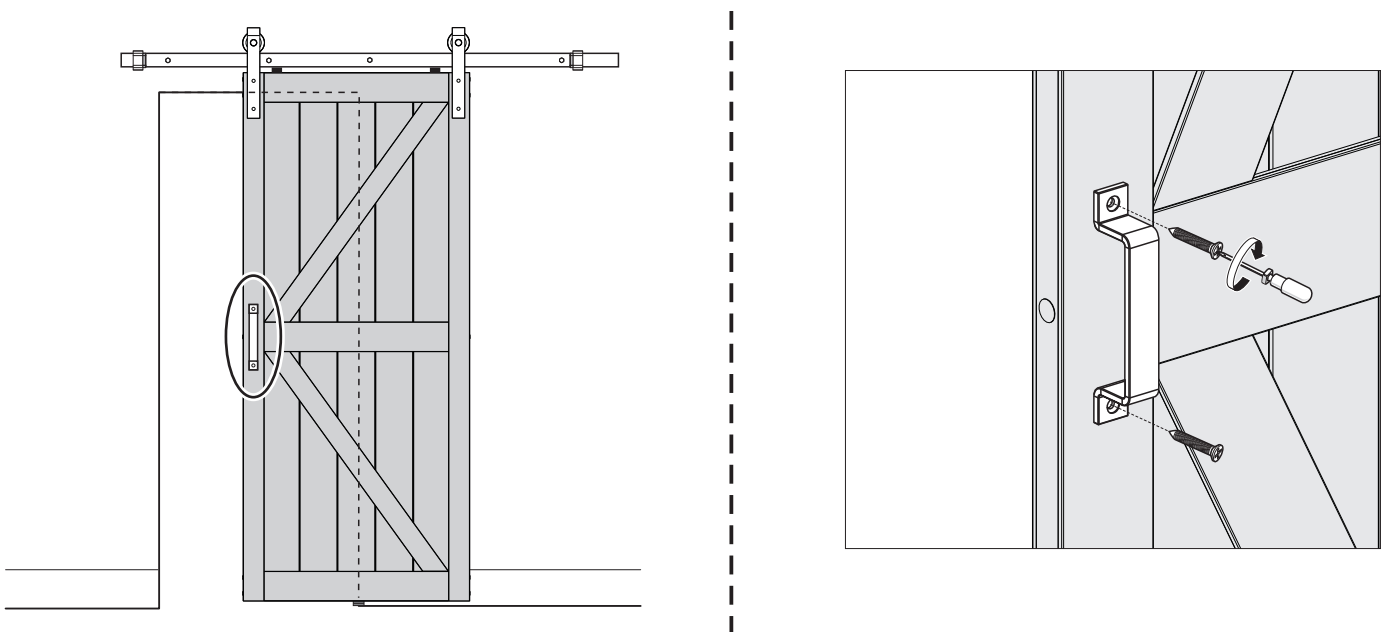


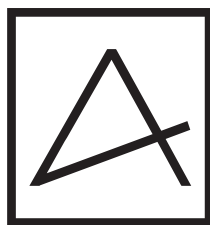
Fig 14

Care & Maintenance

For daily maintenance, use a wet cloth and a soft liquid cleaner.

Never use abrasive cleaners containing acetone, chlorine or strong bleach, scrapers, metallic brushes, nor other objects or products which can scratch or tarnish surfaces.

Check the bolts every 3 months and re-tighten them if necessary.



ANZZI®