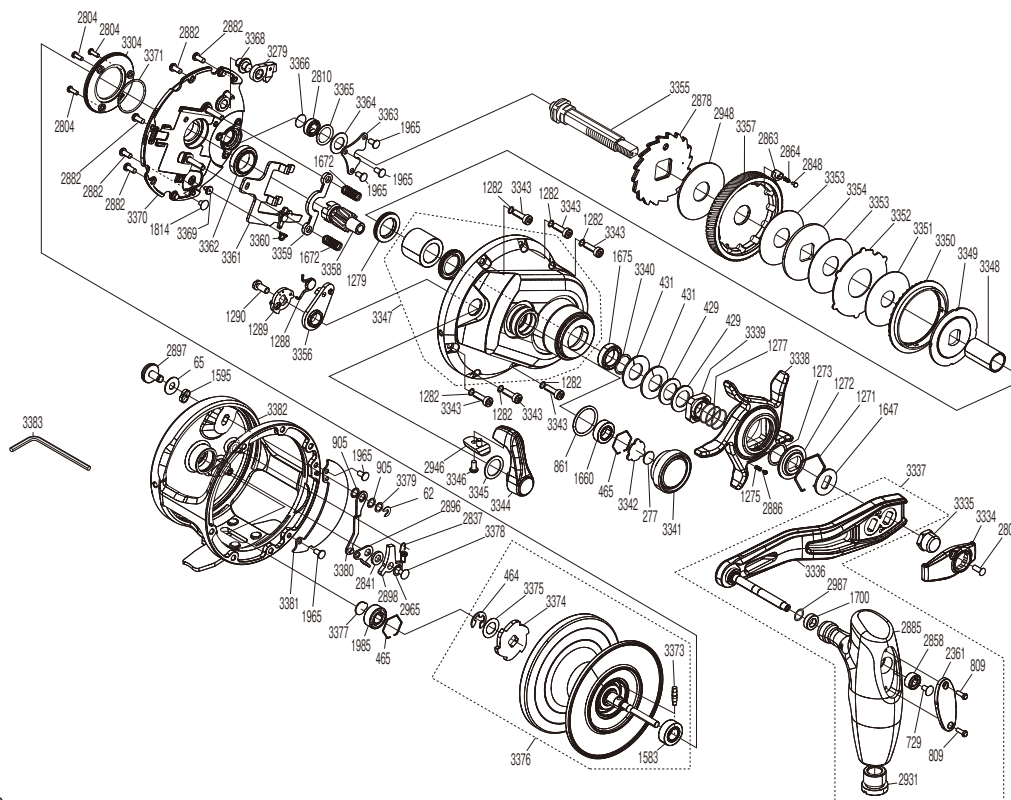


SHIMANO

OCEA JIGGER

JG-4000HG



(51RL22400HX)

#	Part No.	Description	#	Part No.	Description	#	Part No.	Description
0062	105NK	E Lock	2837	10S2W	Anti-Reverse Pawl Spring	3349	10T6V	Key Washer
0065	104H2	Spacer	2841	10907	F-Bushing	3350	10T64	Drag Click Ratchet
0277	10896	Cast Control Spacer	2848	10C0S	Drag Click	3351	10T61	Drag Washer
0429	10J1R	Star Drag Spacer	2858	10KX2	Ball Bearing	3352	10T6D	Eared Washer
0431	1052D	Coned Disc Spring (10H)	2863	10SZP	Drag Click Pin Holder	3353	10T73	Drag Washer
0464	105RY	E Lock	2864	10J89	Click Spring	3354	10T75	Drag Washer
0465	10GGN	Bearing Retainer	2878	10A2V	Anti-Reverse Ratchet Assembly	3355	10T6G	Drive Shaft
0729	103E9	Screw	2882	10LZD	Screw	3356	10T6P	Eccentric Cam Bushing
0809	103NH	Screw	2885	10PUW	Handle Knob	3357	10T69	Drive Gear
0861	108W8	O Ring	2886	10B27	Click Pin	3358	10T74	Pinion Gear
0905	10J18	Spacer	2896	108SJ	F-Anti-Reverse Switch	3359	10T63	Yoke
1271	10KXX	Click Plate Retainer	2897	108W3	F-Anti-Reverse Knob	3360	100FD	Clutch Pawl Spring
1272	10J28	Star Drag Click Plate	2898	10905	F-Baitrunner Pawl	3361	100TB	Clutch Plate Assembly
1273	10G6M	Washer	2931	10TK9	Handle Knob Seal	3362	10T6K	Bushing
1275	10HZ6	Click Spring	2946	10SL5	Clutch Lever Protector	3363	10T6Y	Drive Shaft Retainer
1277	10HZ2	Star Drag Spring	2948	10TJD	Drag Washer	3364	10R72	Drive Shaft Water Proof Plate
1279	10C68	Roller Clutch Water Proof	2965	10DHM	Washer	3365	108WH	O Ring
1282	10G6N	Washer	2987	104FH	Washer	3366	10DS2	Washer
1288	10JYV	Clutch Spring	3279	10RZ8	Anti-Reverse Pawl Assembly	3368	10T6C	Anti-Reverse Pawl Pin
1289	1084H	Clutch Cam Assembly	3304	100FC	Drainage Plate	3369	100FE	Clutch Pawl Spring Collar
1290	10F8N	Screw	3334	100FF	Handle Nut Plate	3370	10RJW	Set Plate
1583	104Q5	Ball Bearing	3335	10T66	Handle Nut	3371	10MLV	O Ring
1595	104MS	Click Switch Cam	3336	100TE	Handle Shank Assembly	3373	10T6M	Spool Clutch Pin
1647	107QM	Drive Shaft Shield	3337	100G9	Handle Assembly	3374	10T6W	F-Baitrunner Ratchet
1660	104JD	Ball Bearing	3338	10RJU	Star Drag	3375	10DRZ	Washer
1672	104C3	Yoke Spring	3339	10T65	Star Drag Nut	3376	100TA	Spool Assembly
1675	10KX7	Ball Bearing	3340	10TBX	Washer	3377	10DXJ	Spacer B
1700	104UJ	Handle Knob Bushing	3341	10T6A	Cast Control Cap	3378	103L5	Screw
1814	103L1	Screw	3342	10DXH	Cast Control Spacer	3379	10HZ1	Washer
1965	1055F	Screw	3343	10T6L	Screw	3380	100G8	F-Anti-Reverse Link Assembly
1985	10KAN	Ball Bearing	3344	100GA	Clutch Lever Unit	3381	10RJT	Set Plate Sticker
2361	108SX	Handle Knob Id Plate	3345	10DS1	Washer	3382	100T9	Frame Assembly
2804	101AN	Screw	3346	101CP	Screw			
2805	101AA	Screw	3347	100TC	Right Side Plate Assembly	3343	10T6L	Screw (Accessory)
2810	104JT	Ball Bearing	3348	10T6E	Roller Clutch Inner Tube	3383	10T62	Wrench (Accessory)

Please note that the number of adjusting washers may not be the same as shown in the exploded views.
(Adjustment will vary with each individual product.)

(230531)_004