

# RB-32

## RECESSED CONTACTS

.72"(18.2mm) True "Roller Ball" Reed Contact



Contact Size: .72"×1.89"(18.2mm×48mm)

Standard Magnet Size: NA

Standard Gap: NA

Colors: White, Brown

12"(305mm) 22 AWG Leads Standard

Longer leads available.

### Specifications

Part Number	Gap Inch(mm)	Loop Open/Closed	Reed Form	Max. Contact Rating (W)	Max. Initial Contact Resistance (mΩ)	Max. Switching Voltage (V)	Max. Switching Current (A)
RB-32	NA	CLOSED	Normally Open	10	100	AC110/DC100	0.5
RB-33	NA	OPEN	Normally Closed	3	100	AC30/DC30	0.2
* RB-34 (Special Order)	NA	SPDT	SPDT	3	100	AC30/DC30	0.2

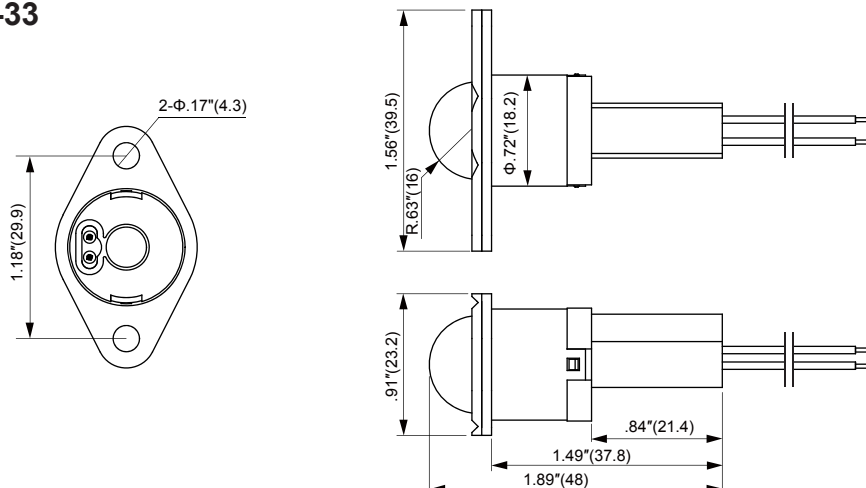
OPERATING TEMPERATURE:-40°C to +60°C

\*SPECIAL ORDER - Call for Min. Order Qty. - Leadtime - Pricing

### Outline Dimensions

Unit: inch(mm)

#### RB-32/RB-33



The Best Guarantee Since 1984 : \$50-1

## TANE ALARM PRODUCTS

906 JERICHO TURNPIKE, NEW HYDE PARK, NY 11040

Tel: 800-852-5050 • 516-328-3351 • Fax: 516-326-9125

www.tanealarm.com • E-MAIL: info@tanealarm.com

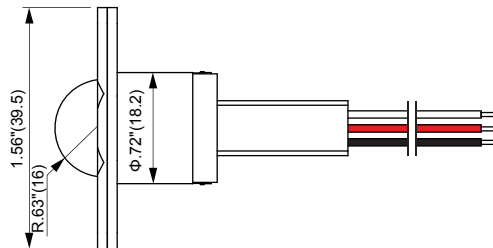
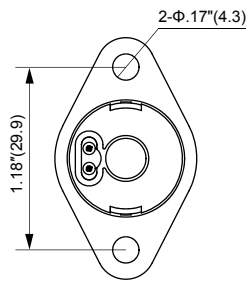
# RB-32

# RECESSED CONTACTS

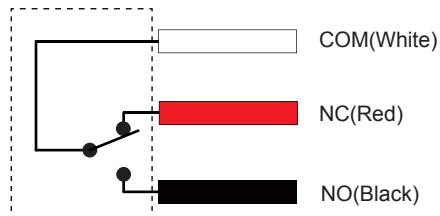
## Outline Dimensions

Unit: inch(mm)

### RB-34



### RB-34 Wiring Diagram



The Best Guarantee Since 1984 : \$50-1

## TANE ALARM PRODUCTS

906 JERICHO TURNPIKE, NEW HYDE PARK, NY 11040

Tel: 800-852-5050 • 516-328-3351 • Fax: 516-326-9125

www.tanealarm.com • E-MAIL: info@tanealarm.com