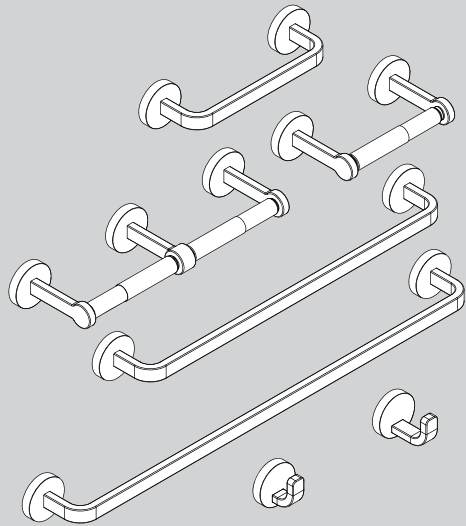


INSTRUCTIONS FOR MODELS

SA-2704 TOWEL BAR
 SA-2705 PAPER HOLDER
 SA-2706 ROBE HOOK
 SA-2707 TOWEL BAR
 SA-2707-18 TOWEL BAR
 SA-2708 ROBE HOOK
 SA-2710 DOUBLE PAPER HOLDER



NEED HELP?

For additional assistance or service please contact:

SPEAKMAN® Company
 400 Anchor Mill Road
 New Castle, DE 19720

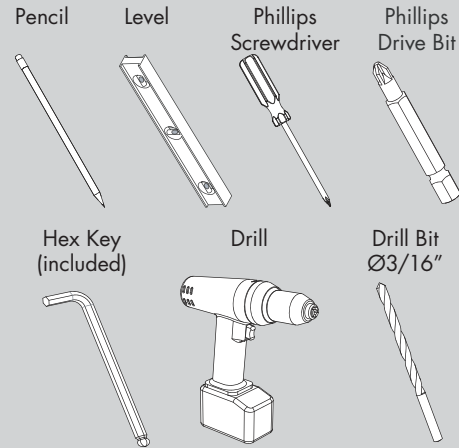
800-537-2107

customerservice@speakman.com

www.speakman.com

92-SA-2700-01

TOOLS AND SUPPLIES



IMPORTANT

- Do not over-tighten any connections or damage may occur.
- Be sure to read instructions thoroughly before beginning installation.

SAFETY TIPS

- Cover your drain to prevent loss of parts. Be sure to wear eye protection.
- If mounting to a tile surface, ensure you acquire appropriate mounting hardware capable of supporting the accessory in use. Follow the instructions included with the manufacturer's mounting hardware.

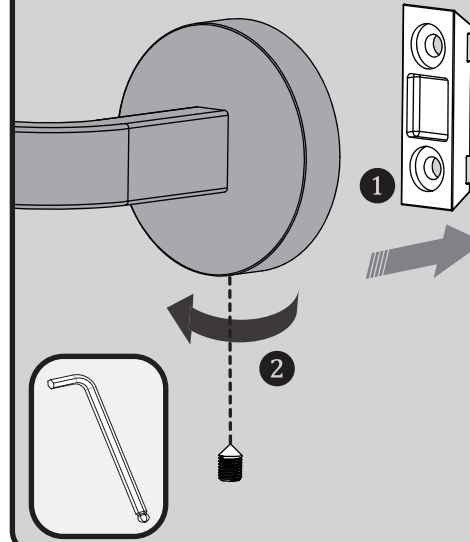
MAINTENANCE

Your new Speakman Product is designed for years of trouble-free performance. Keep it looking new by cleaning it periodically with a soft cloth. The use of harsh chemicals and abrasives on any of the Speakman custom finish products may damage the finish and void the product warranty. Please be sure to only use approved cleaners. Please contact Speakman for any clarification of acceptable cleaners.

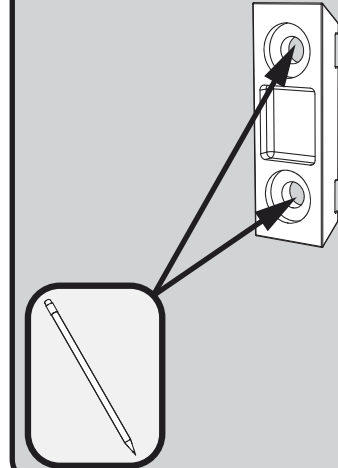
WARRANTY

Additional warranty information can be found at:
www.speakman.com

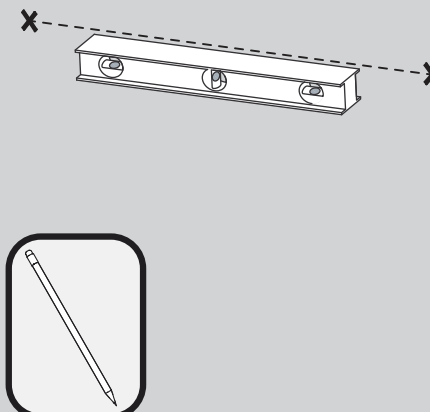
1 If the Mounting Plate(s) (1) come pre-installed in the Accessory (2), remove the Mounting Plate(s) by loosening (but not removing) the pre-installed set screw at bottom with the included Hex Key.



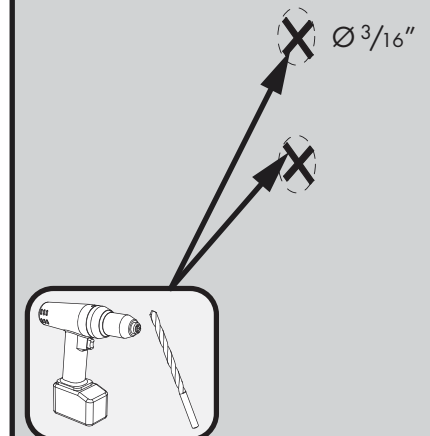
3 Align Mounting Plate over center point marked in previous step. Mounting Plate should be vertical as shown below. Mark Mounting Screw locations onto the wall surface. Remove items after marking mounting locations.



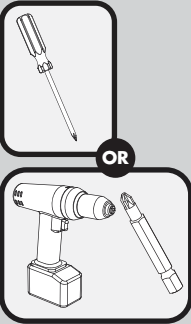
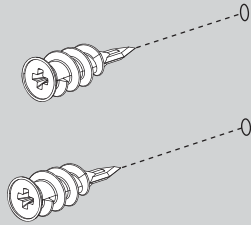
2 At the selected height, mark center point of mounting locations onto wall referencing the rough in diagram.



4 If mounting directly to wood stud, Plastic Anchors are not required. If mounting to tile, acquire proper mounting hardware capable of supporting the accessory in use. If mounting to drywall, drill guide holes at marked locations using a Drill equipped with a Ø3/16" bit.

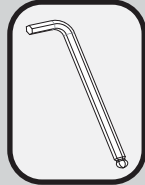
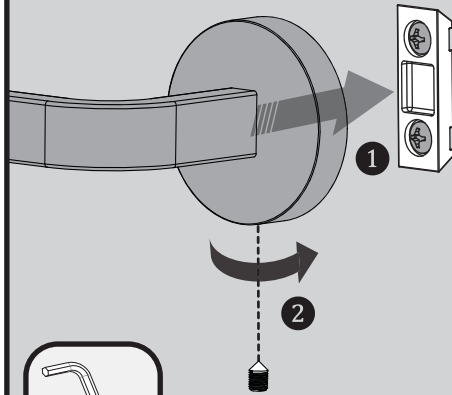


5 Insert Plastic Anchors into drilled holes and screw in the anchor using a Phillips Head screwdriver, or a Drill equipped with a Phillips Driver Bit until the head is flush with the wall surface.

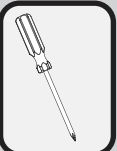
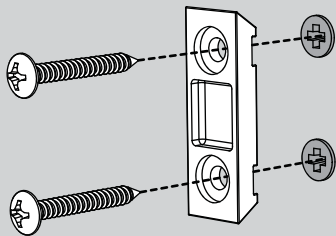


OR

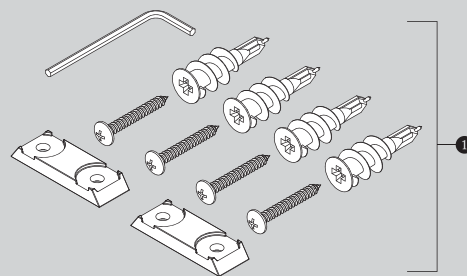
7 Place Accessory (1) over Mounting Bracket and secure the pre-installed set screw (2) with the included Hex Key.



6 Secure Mounting Plate with the Mounting Screws provided. Verify that the Mounting Plate is aligned vertically.



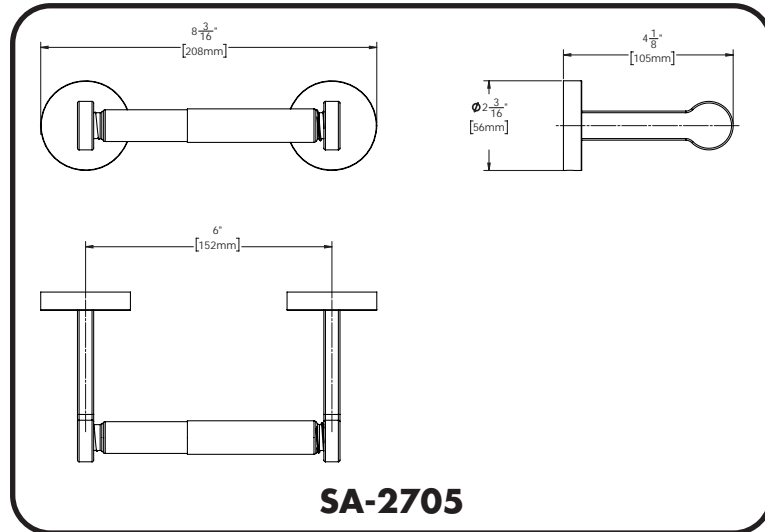
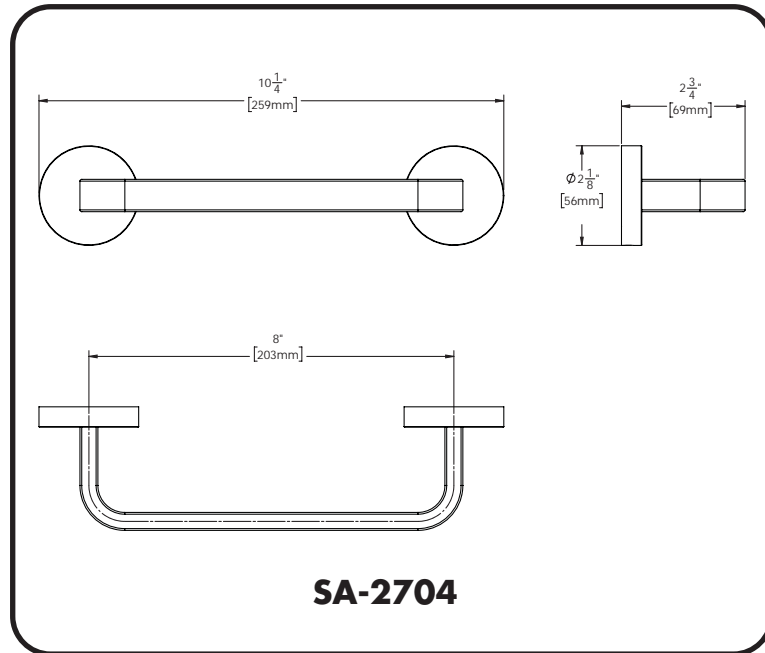
SA-27XX REPAIR PARTS



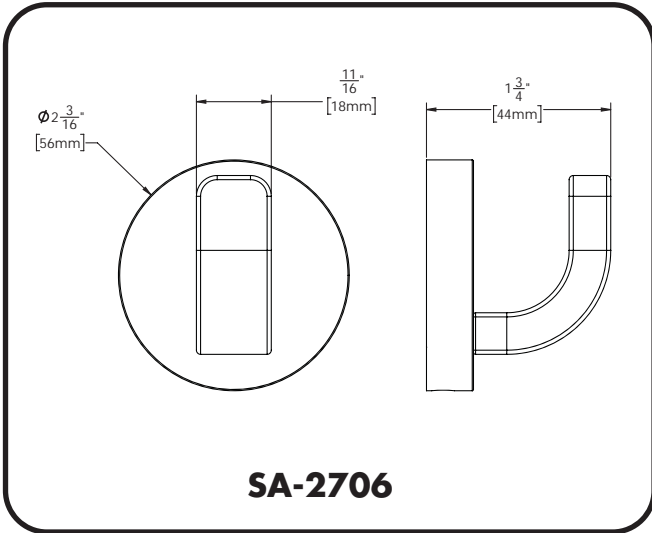
ITEM NO.	PART NO.	DESCRIPTION
1	RPG05-104020	HARDWARE REPAIR GROUP

SA-27XX ROUGH-IN DIAGRAMS

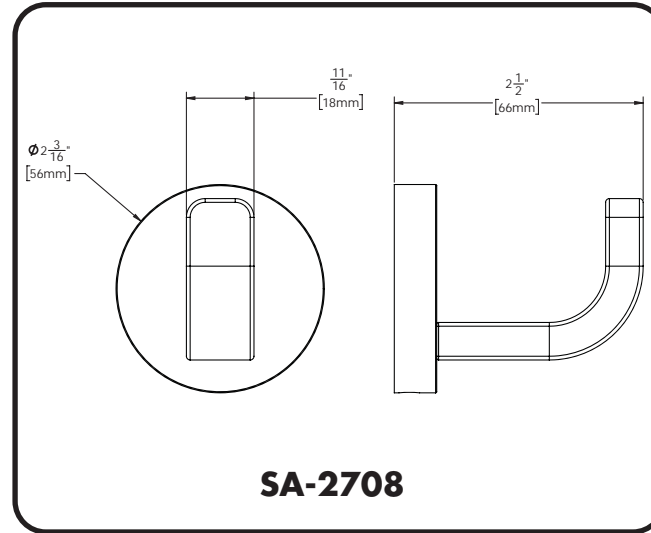
SPEAKMAN®



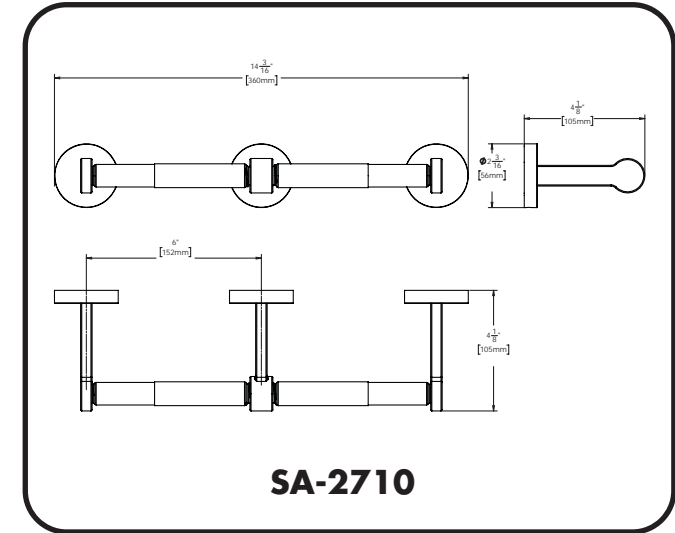
DIMENSIONS SUBJECT TO CHANGE WITHOUT NOTICE.



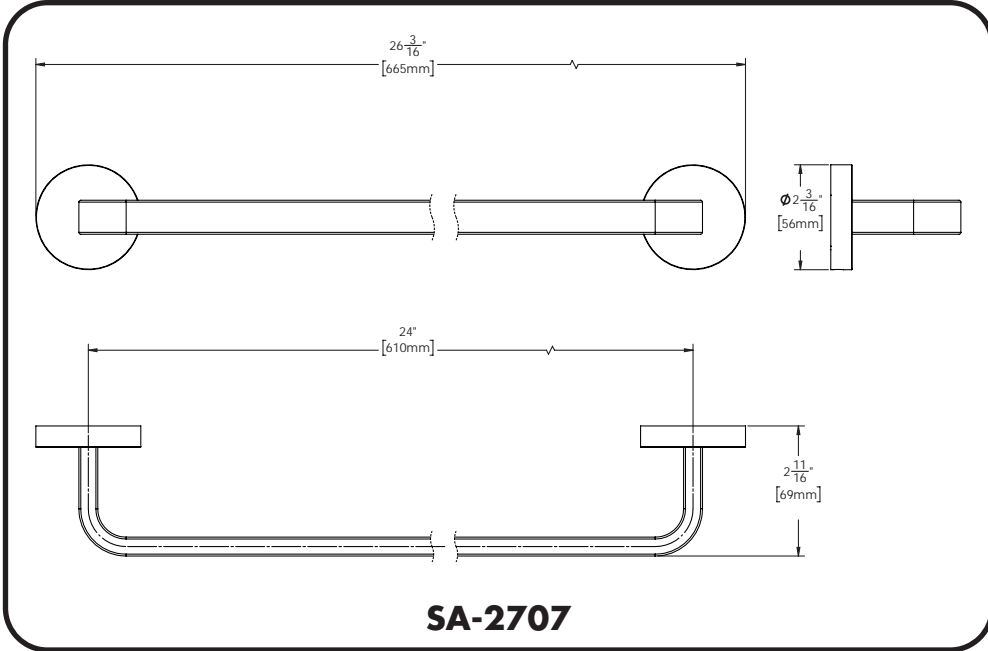
SA-2706



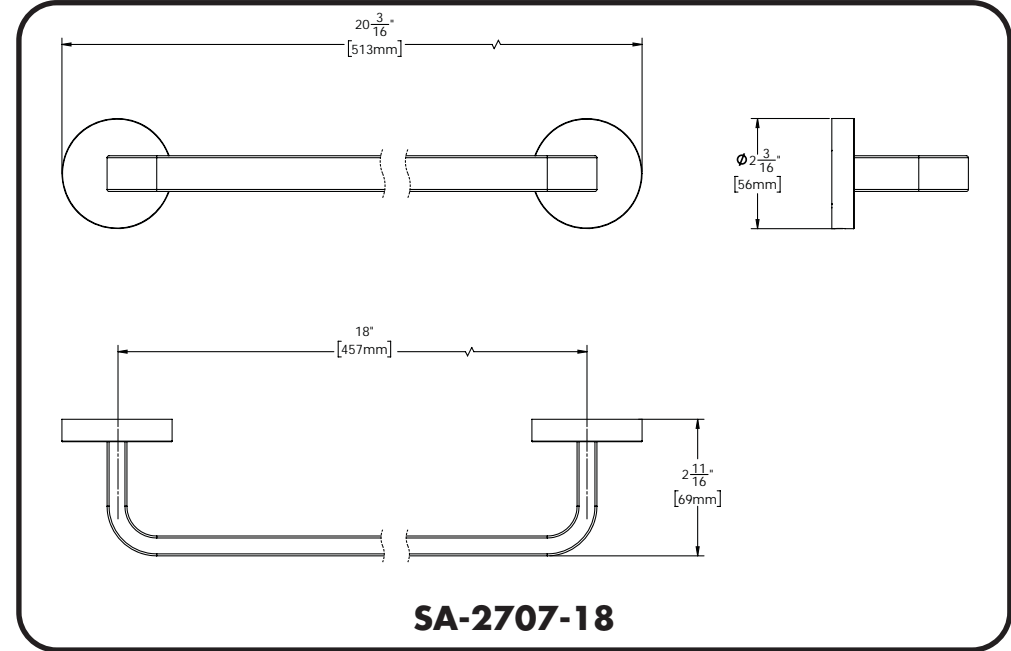
SA-2708



SA-2710



SA-2707



SA-2707-18