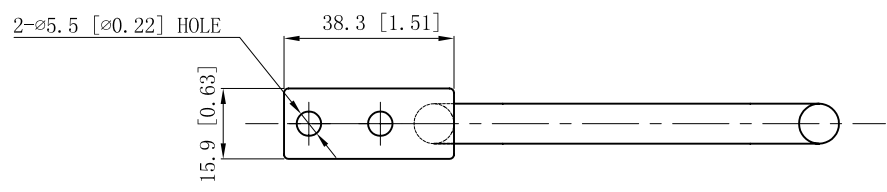
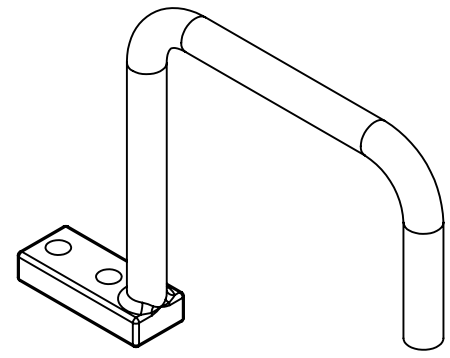
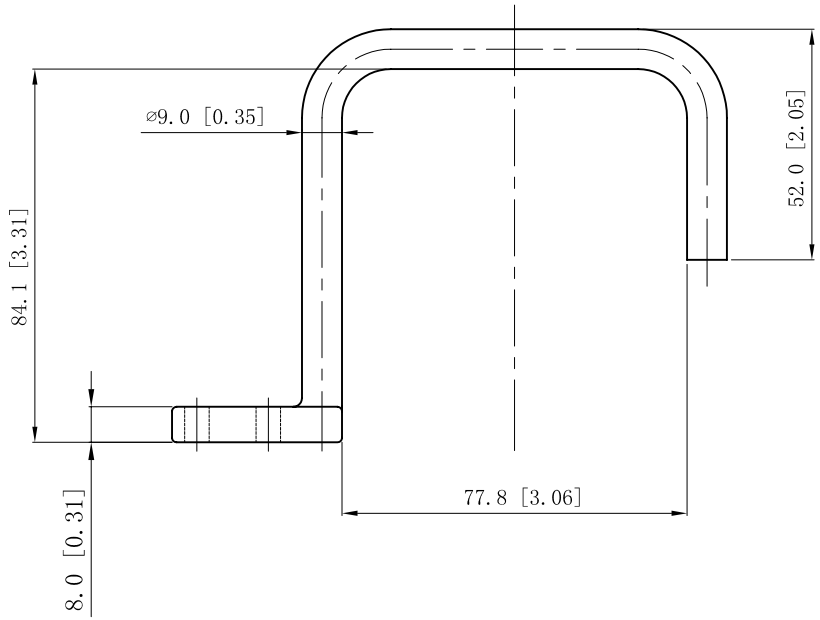


SIDES	BOTTOM
Material: Aluminum-A14130 Cleaning	



This data sheet is for reference only .GARVIN INDUSTRIES reserves the right to make changes to the design without prior notice.

DESCRIPTION
TRADE REFERENCE TERMS

STANDARD PACKING
50 PCS

TITLE			GARVIN INDUSTRIES		
TITLE			OPEN DISTRIBUTION "D" RINGS		
SIZE	DWG NO.			REV	
A4	ODR-375				
DATA SHEET					