

THERMOSTATS & CONTROLLERS



MULTIPRO™ MULTISPEED AND MULTIPURPOSE THERMOSTAT TB7100A1000 MULTIPRO™ SERIES

Honeywell

DESCRIPTION

The Honeywell TB7100A1000 MultiPRO™ Multispeed and Multipurpose Thermostat is an effortless, seven-day programmable or nonprogrammable thermostat that provides universal system compatibility, precise comfort control and is easy-to-program.

FEATURES

- Programmable or non-programmable modes
- Remote setback input for occupancy sensors or timeclocks
- Real-time clock keeps time during power failures and automatically updates to daylight savings
- Large, clear display with backlight
- Menu-driven programming
- Speedy same-schedule programming, no need to copy multiple days



TB7100A100

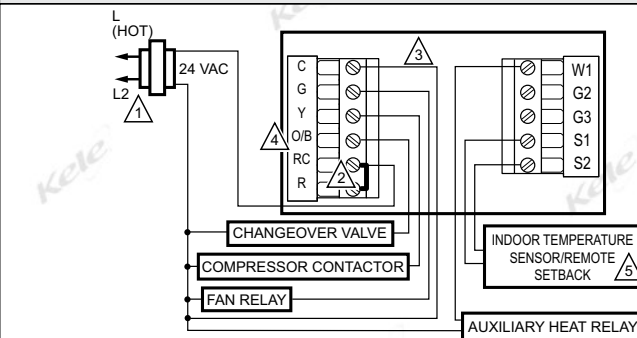
APPLICATION

- 1H/1C conventional
- Up to 2H/1C heat pump
- 4-pipe fan coil (three fan speeds)
- 2-pipe fan coil (three fan speeds)
- 2-pipe fan coil with Auxiliary Heat (3 fan speeds)
- PTAC (Hi, Lo fan speed)

SPECIFICATIONS

Supply Voltage	20-30 VAC, 50/60 Hz	Display	LCD, Backlit, Accuracy $\pm 1^{\circ}\text{F}$ ($\pm 0.5^{\circ}\text{C}$)
Battery	Optional, 2-AA (1 year life)	Changeover	Manual or Auto changeover selectable
Accuracy	$\pm 1^{\circ}\text{F}$ (0.5°C), system dependent	Controls	Manual button selection
Contact Ratings	0.02-1.0A, 0.60A maximum current for fan terminals	System	Heat-Off-Cool-Auto
Contact Type	SPST relays	Fan setting	Auto-On
Memory	10 years	Fan Speeds	Low, Medium, High
Remote Sensor	Indoor/Setback/Changeover	Dimensions	3.75"H x 6.0"W x 1.375"D (9.5 x 15.2 x 3.5 cm)
Control	Proportional plus Integral (PI)	Weight	1.0 lb (0.45 Kg)
Deadband	Adjustable, 2°/9°F, (1.5°/5°C)	Warranty	2 years
Programmable	Optional setup, 7 day prog., with 2 Occupied/Un-Occupied per day		
Setpoint/Setback	Adjustable with programmable limits		
Heating	40 to 90°F (10 to 32°C)		
Cooling	50 to 99°F (10 to 37°C)		

WIRING - HEAT PUMP WITH AUXILIARY HEAT



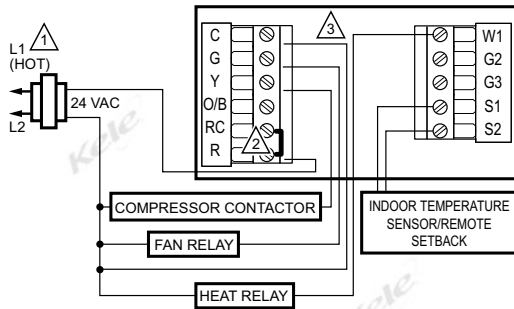
- 1 POWER SUPPLY. PROVIDE DISCONNECT MEANS AND OVERLOAD PROTECTION AS REQUIRED.
- 2 FACTORY INSTALLED JUMPER.
- 3 WHEN USING BATTERIES, THE 24V COMMON CONNECTION IS OPTIONAL.
- 4 "O/B" TERMINAL SET TO CONTROL AS EITHER "O" OR "B" IN THE INSTALLER SETUP.
- 5 OPTIONAL INDOOR REMOTE SENSOR OR REMOTE SETBACK. WIRES MUST HAVE A CABLE SEPARATE FROM THE THERMOSTAT CABLE.

Typical hookup of single-stage heat pump with auxiliary heat (2H/1C).

THERMOSTATS & CONTROLLERS

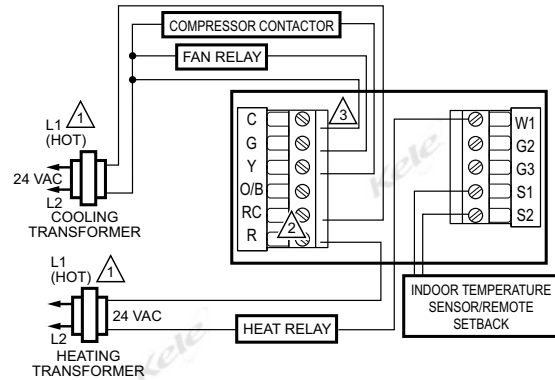
MULTIPRO™ MULTISPEED AND MULTIPURPOSE THERMOSTAT TB7100A1000 MULTIPRO™ SERIES

WIRING - CONVENTIONAL



- 1 POWER SUPPLY. PROVIDE DISCONNECT MEANS AND OVERLOAD PROTECTION AS REQUIRED.
- 2 FACTORY INSTALLED JUMPER.
- 3 WHEN USING BATTERIES, THE 24V COMMON CONNECTION IS OPTIONAL.

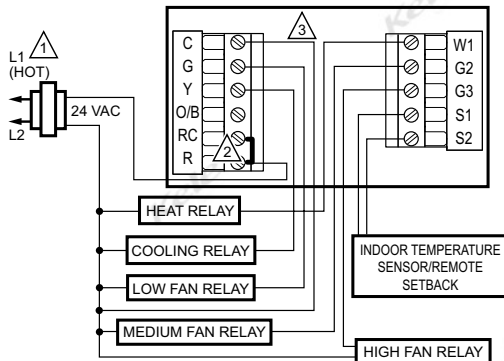
Typical wiring of single transformer
1H/1C system.



- 1 POWER SUPPLY. PROVIDE DISCONNECT MEANS AND OVERLOAD PROTECTION AS REQUIRED.
- 2 REMOVE FACTORY INSTALLED JUMPER.
- 3 WHEN USING BATTERIES, THE 24V COMMON CONNECTION IS OPTIONAL. WHEN USED, THE COMMON MUST CONNECT TO THE COOLING TRANSFORMER SECONDARY.

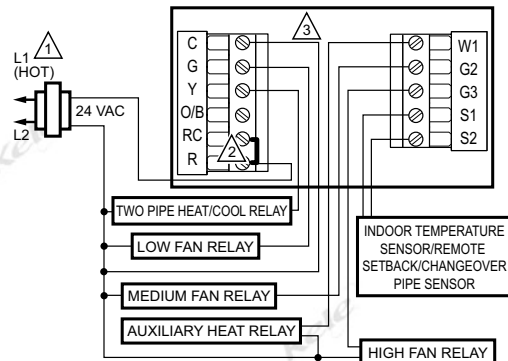
Typical hookup of dual transformer
1H/1C system.

WIRING - FAN COIL



- 1 POWER SUPPLY. PROVIDE DISCONNECT MEANS AND OVERLOAD PROTECTION AS REQUIRED.
- 2 FACTORY INSTALLED JUMPER.
- 3 WHEN USING BATTERIES, THE 24V COMMON CONNECTION IS OPTIONAL.

Typical wiring of 4 pipe fan coil.



- 1 POWER SUPPLY. PROVIDE DISCONNECT MEANS AND OVERLOAD PROTECTION AS REQUIRED.
- 2 FACTORY INSTALLED JUMPER.
- 3 WHEN USING BATTERIES, THE 24V COMMON CONNECTION IS OPTIONAL.

Typical wiring of 2 pipe fan coil with reheat.

ORDERING INFORMATION

MODEL
TB7100A1000

DESCRIPTION
Multispeed and multipurpose thermostat, Programmable or Non-Programmable

C7189U1005
TR21
TR21-A

ACCESSORIES
Remote indoor thermistor sensor: 10K ohm NTC (TB7220)
Wall mount remote indoor sensor: 20K ohm NTC (Type 42)
Wall mount remote indoor sensor: 10K ohm NTC (use for averaging only)