

SCHOOLHOUSE

Factory 4 Rod Pendant



Application: Pendant

Product Origin: Processed and assembled in Portland, Oregon using ethically-sourced domestic and global components.

UL Listed: Yes

Max Wattage: 150 W

Voltage: 120/220V

Location Rating: Damp

Dimensions:

Choice of Length: 20 - 82"

Overall: 12" W

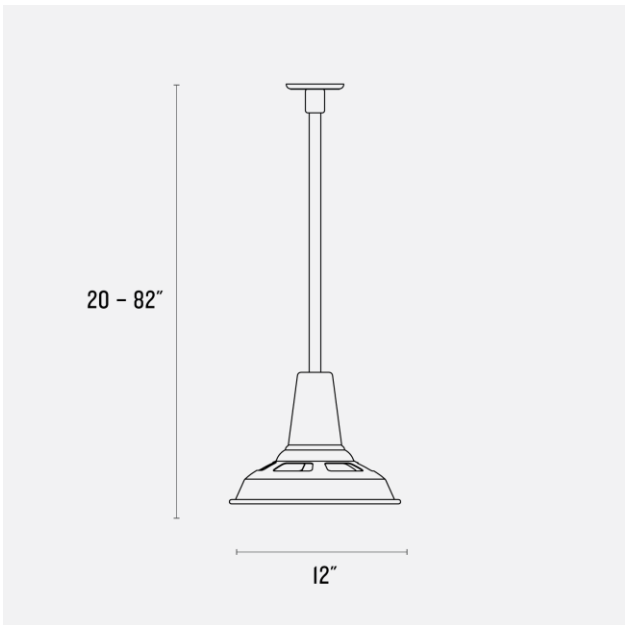
Canopy: 1.75" H x 4.75" W

Materials: Aluminum, Steel

Details:

- Factory Black and Factory White feature a white interior
- Fixture length includes cage if one is selected

One year guarantee



SCHOOLHOUSE

Color Option(s)



Butterscotch-Gloss
(BU-G)



Shell White-Gloss
(SWT-G)



Chamomile-Gloss
(CE-G)



Lichen-Gloss
(LN-G)



Paprika, Gloss
(PPA-G)



Juniper-Gloss
(JPR-G)



Persimmon-Gloss
(PS-G)



Dune-Gloss
(DU-G)



Alder-Gloss
(AGR-G)



Black
(BK)



Ecu-Gloss
(EC-G)



White
(WT)



Navy-Gloss
(NV-G)



Pebble-Gloss
(PEB-G)



Industrial
Yellow-Gloss
(INY-G)

Cage Option(s)



Black
(BK)

SCHOOLHOUSE

Factory 4 Rod LED Pendant



Application: Pendant

Product Origin: Processed and assembled in Portland, Oregon using ethically-sourced domestic and global components.

UL Listed: Yes

Wattage: 13 W

Voltage: 120 Volts

Location Rating: Damp

Dimensions:

Choice of Length: 20 - 82"

Overall: 12" W

Canopy: 1.75" H x 4.75" W

Materials: Aluminum, Steel

Details:

- No bulb required - Includes a self-contained LED module
- Factory Black and Factory White feature a white interior
- Fixture length includes cage if one is selected

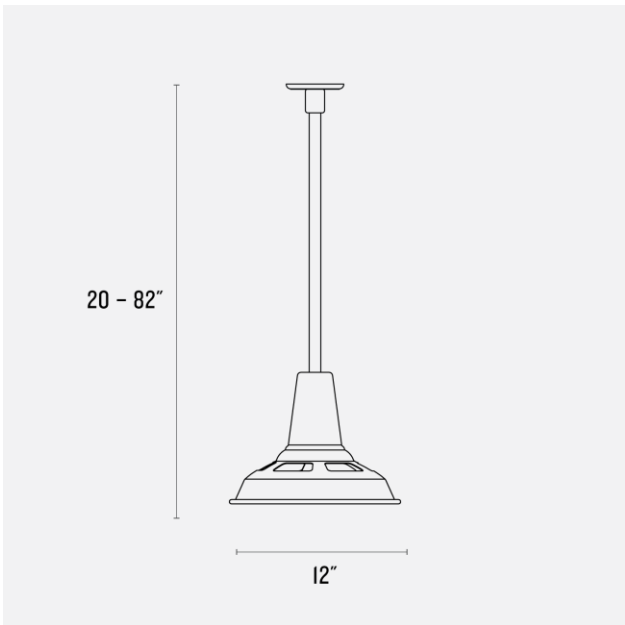
Brightness: 910 Lumens

Hour Life: 50,000 hrs

Color Temperature: 3000K

Color Rendering Index: 80 CRI

One year guarantee



SCHOOLHOUSE

Color Option(s)



Dune-Gloss
(DU-G)



Chamomile-Gloss
(CE-G)



Paprika, Gloss
(PPA-G)



Industrial Yellow-Gloss
(INY-G)



Butterscotch-Gloss
(BU-G)



Black
(BK)



Juniper-Gloss
(JPR-G)



Alder-Gloss
(AGR-G)



Persimmon-Gloss
(PS-G)



Navy-Gloss
(NV-G)



Ecrú-Gloss
(EC-G)



White
(WT)



Pebble-Gloss
(PEB-G)



Lichen-Gloss
(LN-G)



Shell White-Gloss
(SWT-G)

Cage Option(s)



Black
(BK)