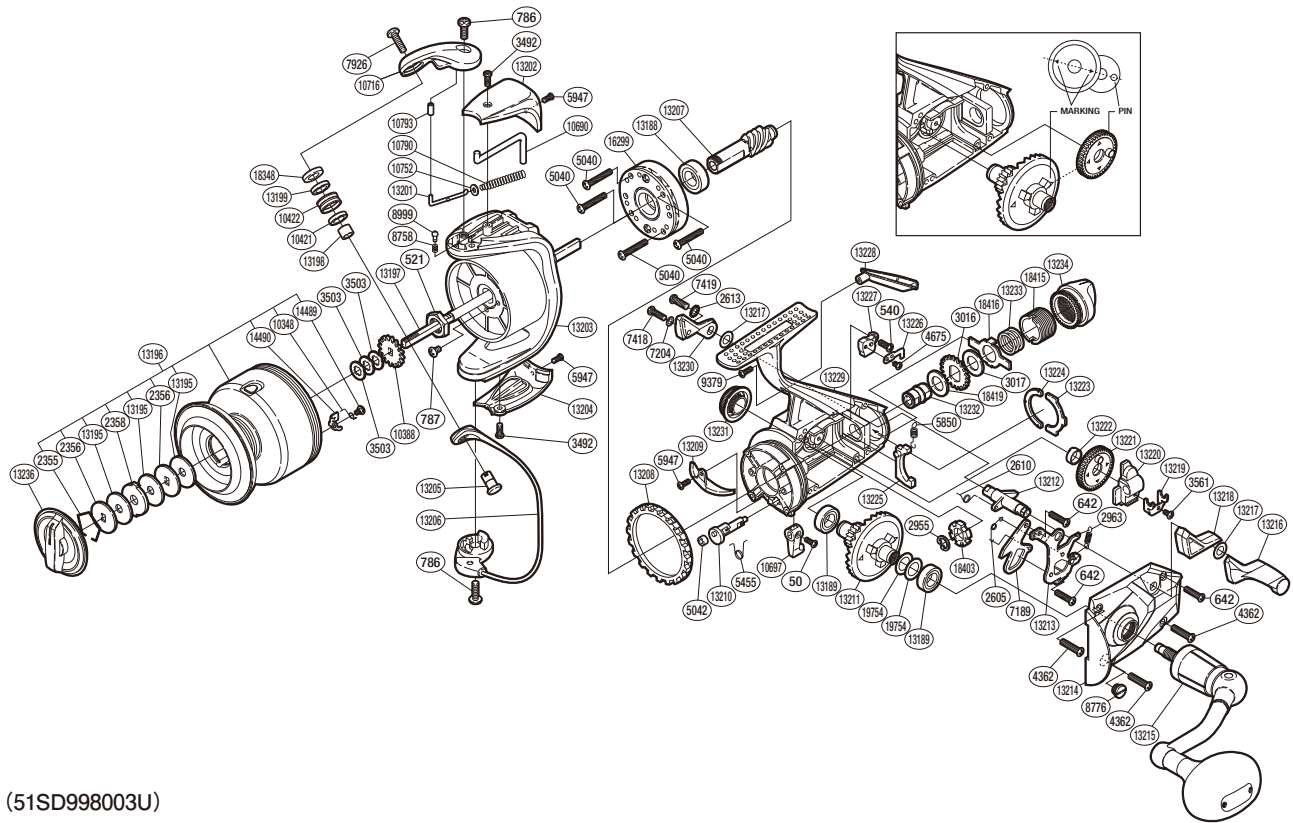


SHIMANO

BAITRUNNER

BTR-8000D



(51SD998003U)

#	Part No.	Description	#	Part No.	Description	#	Part No.	Description
50	10MPT	Screw	8776	104KM	Oil Cap	13213	10NZV	Clutch Plate Assembly
521	10MSW	Rotor Nut	8999	10HEA	Click Pin	13214	10CXN	Side Cover
540	103GS	Screw	9379	10L1U	Screw	13215	105FE	Handle Assembly
642	10M35	Screw	10348	10JX9	Click Spring	13216	10G94	Baitrunner Lever Arm L
786	103J1	Screw	10388	103MP	Spool Support	13217	10G9Z	Spacer
787	103L6	Screw	10421	10CZA	Line Roller Collar	13218	106RK	Baitrunner Lever Bridge
2355	10B6E	Drag Washers Retainer	10422	10KQS	Line Roller	13219	10JZT	Oscillating Slider Retainer
2356	10B9G	Key Washer	10690	10F19	Bail Trip Lever	13220	104WQ	Oscillating Slider
2358	10BCR	Eared Washer	10697	10JG4	Anti-Reverse Lever	13221	10PGQ	Oscillating Gear
2605	10QCX	Clutch Pawl Spring	10716	10Q3W	Bail Arm	13222	10JYG	Oscillating Gear Bushing
2610	104CD	Clutch Spring	10752	10TYE	Spring Guide A Support	13223	106S3	Dial Retainer
2613	105N4	Lock Washer	10790	10FV9	Bail Spring	13224	1050X	Dial Retainer B
2955	105S4	C Lock	10793	10PK9	Bail Arm Collar	13225	10N0W	Baitrunner Pawl
2963	10422	Baitrunner Click Spring	13188	10BGD	Ball Bearing	13226	106RY	Dial Click
3016	10BTL	Click Gear	13189	104PT	Ball Bearing	13227	106WH	Baitrunner Pawl Guide
3017	10KJ4	Free Spool Tension Washer	13195	1033Z	Drag Washer	13228	106JU	Body I.D. Plate
3492	103DC	Screw	13196	10ENZ	Spool Assembly	13229	10K3X	Body
3503	10BXK	Spool Washer	13197	10PXM	Main Shaft	13230	10G6X	Baitrunner Lever Arm R
3561	10MT4	Screw	13198	10FE5	Line Roller Spacer	13231	10GVN	Handle Screw Cap
4362	10MBT	Screw	13199	10HAU	Line Roller Collar B	13232	1050Y	Free Spool Tension Shaft
4675	10LV7	Screw	13201	105YT	Bail Spring Guide A	13233	106RU	Free Spool Tension Spring
5040	103LA	Screw	13202	10DD8	Bail Spring Cover	13234	10LYF	Baitrunner Tension Dial
5042	106F8	Anti-Reverse Cam Ring	13203	10K25	Rotor	13236	10MS7	Drag Knob
5455	10DCK	Anti-Reverse Cam Spring	13204	10FV5	Bail Hold Support Guard	14489	10BQG	Screw
5850	10G75	Baitrunner Pawl Spring	13205	10DB3	Line Roller Support	14490	10PEM	Drag Click
5947	103NH	Screw	13206	107MD	Bail Assembly	16299	10QPF	Roller Clutch Assembly
7189	10G6Z	Clutch Pawl	13207	10M45	Pinion Gear	18348	10HQZ	Washer
7204	10KF3	Lock Washer	13208	10D7T	Friction Ring	18403	10P0M	Baitrunner Ratchet
7418	10L6L	Screw	13209	10D91	Bail Trip Strike	18415	106RM	Free Spool Tension Screw
7419	10LLG	Screw	13210	10DC9	Anti-Reverse Cam	18416	107CN	Eared Washer
7926	103HN	Screw	13211	104KA	Drive Gear	18419	10P0T	Free Spool Tension Washer
8758	10HEN	Click Spring	13212	106MX	Baitrunner Lever Shaft	19754	10DKJ	Washer

Please note that the number of adjusting washers may not be the same as shown in the exploded views.
(Adjustment will vary with each individual product.)

(231115)_006