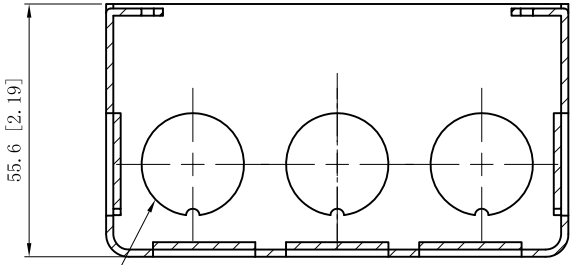
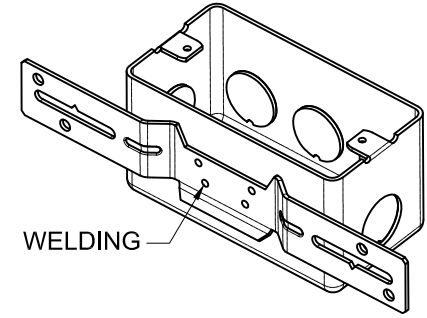


<b>SIDES</b>	<b>BOTTOM</b>
5 1/2" KNOCKOUTS	3 1/2" KNOCKOUTS
Material: Steel-0.0625"-G60 Galvanized	

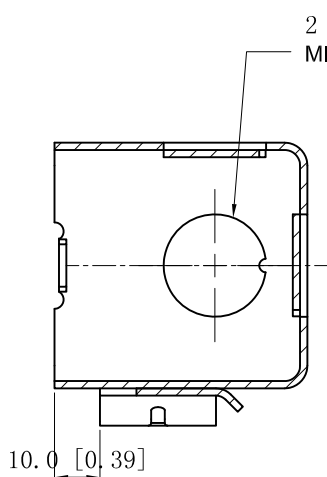


CUTAWAY VIEW A-A

3 1/2" KNOCKOUTS  $\phi=22.50$  [ $\phi=0.886$ ]



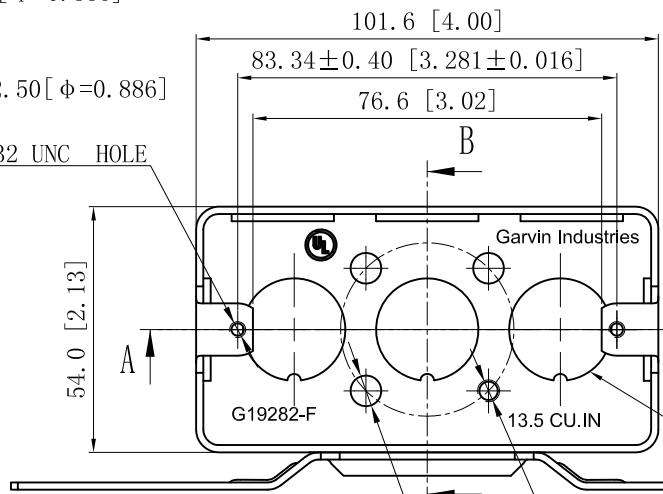
WELDING



2 1/2" KNOCKOUTS  $\phi=22.50$  [ $\phi=0.886$ ]  
MIRROR

10.0 [0.39]

CUTAWAY VIEW B-B



101.6 [4.00]

83.34 ± 0.40 [3.281 ± 0.016]

76.6 [3.02]

B

2-#6-32 UNC HOLE

54.0 [2.13]

A

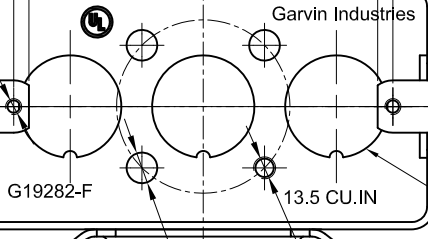
A

B

#10-32 UNF HOLE

3- $\phi 6.75$  [ $\phi 0.266$ ] HOLE

3 1/2" KNOCKOUTS  $\phi=22.50$  [ $\phi=0.886$ ]



G19282-F

Garvin Industries

13.5 CU.IN

This data sheet is for reference only .GARVIN INDUSTRIES reserves the right to make changes to the design without prior notice.

DESCRIPTION
TRADE REFERENCE TERMS

STANDARD PACKING
25 PCS

<b>GARVIN INDUSTRIES</b>		
TITLE HANDY UTILITY BOXES & EXTENSION RINGS		
SIZE A4	DWG NO. G19282-F	REV A
DATA SHEET		