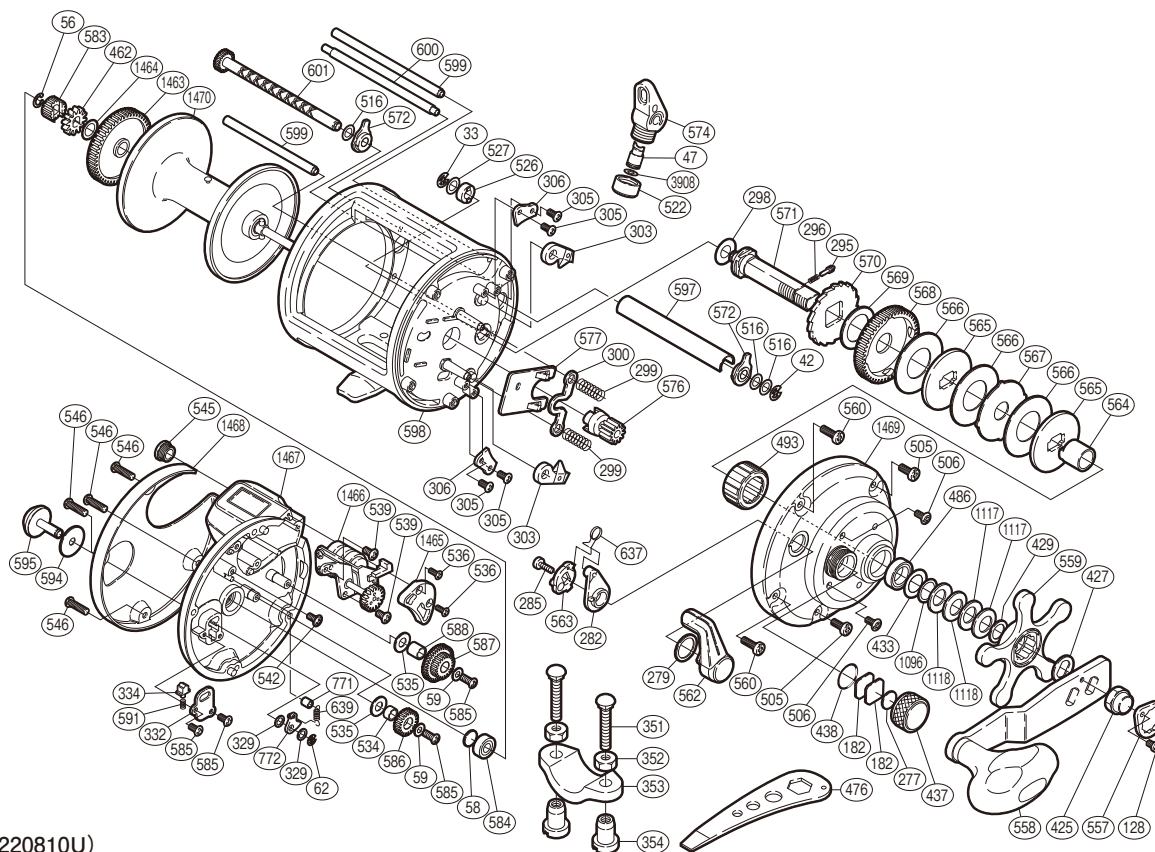


# SHIMANO

## TEKOTA

## TEK-800LC



(51RJ220810U)

#	Part No.	Description	#	Part No.	Description	#	Part No.	Description
33	105NG	E Lock	506	10LF9	Screw	587	10NXL	Idle Gear
42	105NE	E Lock	516	10HV6	Washer	588	10NXN	Idle Gear Support
47	10FJ9	Line Guide Pawl	522	10FJP	Pawl Cap	591	104MU	Click Spring
56	105SA	C Lock	526	10BPW	Drive Shaft Bushing	594	1054L	Spacer
58	10GEU	Spacer B	527	10D66	Washer	595	1050K	Click Button
59	104H5	Lock Washer	534	10NXJ	Idle Gear Support	597	10HW0	Level Wind Guard
62	105NK	E Lock	535	10G4P	Spacer	598	10K8C	One-Piece Frame
128	10QG0	Screw	536	103BY	Screw	599	10HXA	Stabilizer Bar A
182	105N0	Cast Control Spacer	539	10QG5	Screw	600	10BKV	Stabilizer Bar B
277	10896	Cast Control Spacer	542	10K8T	Screw	601	10KC7	Worm Shaft
279	10JYS	Smoother	545	10NXP	Maintenance Cap	637	10LYH	Clutch Spring
282	10L29	Eccentric Cam Bushing	546	10L9T	Screw	639	10NRR	Click Pawl Spring
285	10F8M	Screw	557	10LME	Handle Nut Plate	771	10549	Click Pawl Spring Boss Ring
295	109Z2	Click Pin	558	10B1S	Handle Assembly	772	10LER	Click Pawl
296	10HZ5	Click Spring	559	10HMT	Star Drag	1096	10HWS	Washer
298	10588	Washer	560	10M6Z	Screw	1117	109PG	Drag Spring Washer (10l)
299	104BY	Yoke Spring	562	10LYU	Clutch Lever	1118	109L9	Drag Spring Washer (10h)
300	10481	Yoke	563	10HMC	Clutch Cam	1463	10AQH	Counter Gear
303	10MWB	Anti-Reverse Pawl	564	10MB0	Roller Clutch Inner Tube	1464	10JDD	Washer
305	103CK	Screw	565	109F2	Key Washer	1465	10NRM	Left Side Plate Seal
306	10KNW	Anti-Reverse Pawl Keeper	566	10KZT	Drag Washer	1466	10B4X	Counter Assembly
329	109RC	Spacer	567	10LNC	Eared Washer	1467	10LEQ	Left Side Plate
332	104B6	Click Spring Retainer	568	109DJ	Drive Gear	1468	10NXB	Left Side Plate Cover
334	104B8	Click Spring Holder	569	109SS	Drag Washer	1469	10HKD	Right Side Plate
425	10FT6	Handle Nut	570	109BH	Anti-Reverse Ratchet	1470	10NSR	Spool Assembly
427	107QX	Drive Shaft Shield	571	10995	Drive Shaft	3908	10TZF	Spacer
429	10J1R	Star Drag Washer	572	10HT4	Worm Bushing			
433	105U6	Bearing Seal	574	10KCR	Line Guide	351	10A7A	Rod Clamp Bolt (accessory)
437	10KTE	Cast Control Cap	576	10AHF	Pinion Gear	352	105N9	Rod Clamp Nut B (accessory)
438	108WK	O Ring	577	10P95	Yoke Plate	353	10AR5	Rod Clamp (accessory)
462	104F2	Click Gear	583	10AQC	Idle Gear	354	1046P	Rod Clamp Nut A (accessory)
486	10KX6	Ball Bearing	584	105C8	Ball Bearing			
493	10F5B	Roller Clutch Bearing	585	103DH	Screw	476	10MJ5	Wrench (accessory)
505	10LZ5	Screw	586	10NXH	Idle Gear			

Please note that the number of adjusting washers may not be the same as shown in the exploded views.  
(Adjustment will vary with each individual product.)

(240625)\_002