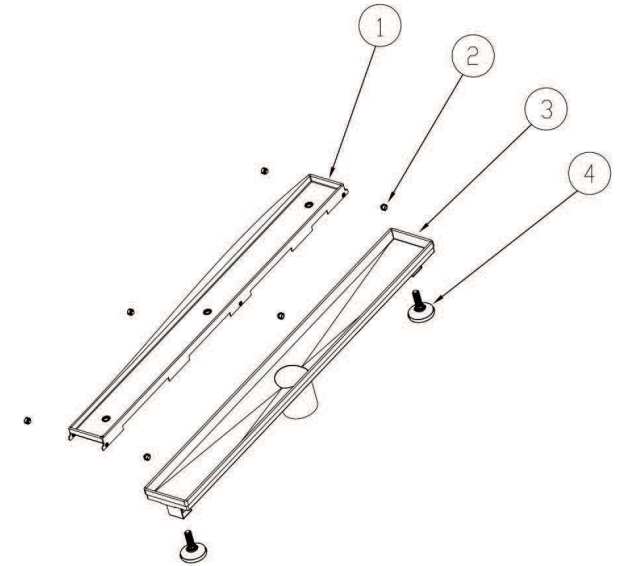


SECTION A-A



NO	DESCRIPTION	QTY	MATERIAL	SIZE
1	Linear drain cover	1	SUS304	23 3/4" X 2 3/4" X 3/4" (18G)
2	plastic connectors	6	PP	Ø 3/8 X 1/2
3	Linear drain stand	1	SUS304	24" X 3" X 3 1/8" (18G)
4	mounting brackets	2	composite material	Ø 1 3/8 X 1 3/4