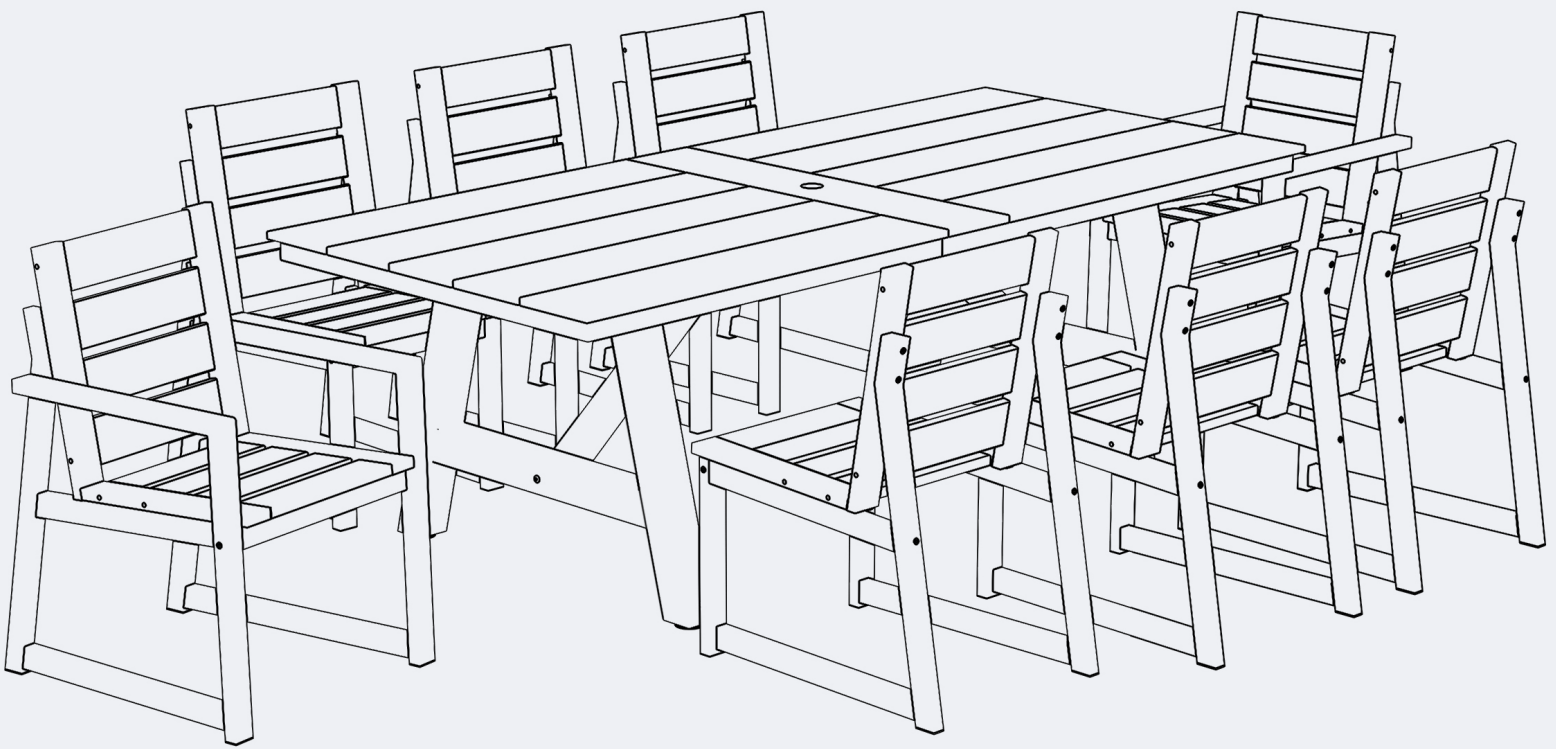


INSTRUCTION MANUAL



9-Piece Outdoor Dining Set

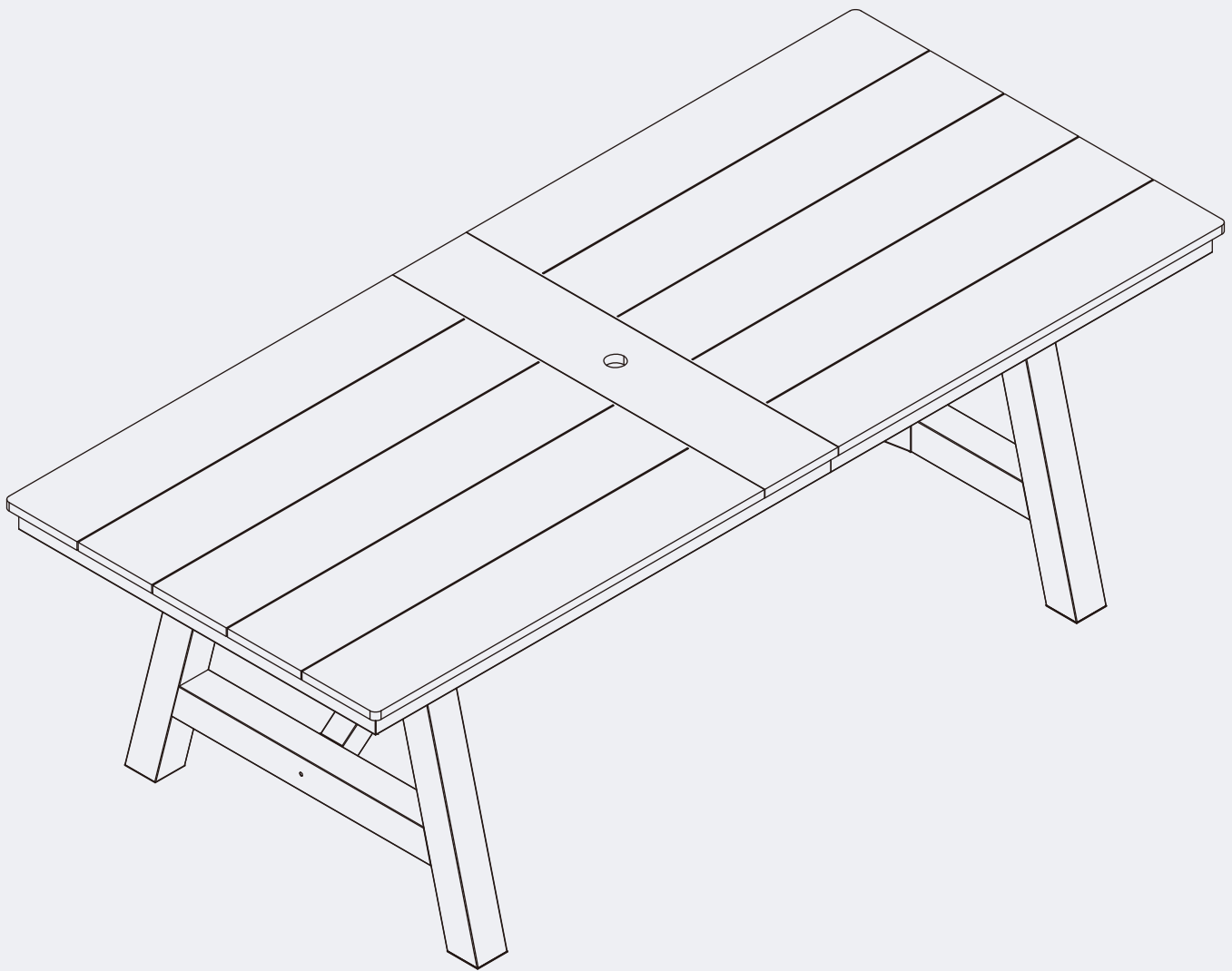
V1.0

TABLE OF CONTENTS

ASSEMBLY INSTRUCTIONS

90" X 39" Rectangular Outdoor Dining Table.....	3
Outdoor Dining Arm Chair.....	9
Outdoor Dining Side Chair.....	14

INSTRUCTION MANUAL



90" X 39" Rectangular Outdoor Dining Table

! NOTICE

Do not overtighten screws. (Insert all screws before tightening screws.)

- Please do not exceed the weight limitations of this item.
- Do not stand on or use any part of this item as a step ladder.
- Firmly secure all bolts, screws, and nuts before use.
- Reconfirm that all bolts, screws, and nuts are secure every 90 days.
- Do not use or store this item in the proximity of open flame or flammable/combustible chemicals.
- Be aware that some parts are heavy and have sharp edges.
- When using an electric drill, please adjust its speed slowly to avoid screw slippage.

TOOLS REQUIRED

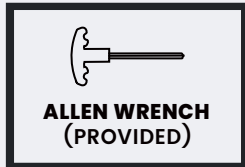


TABLE
300 LBS
CAPACITY

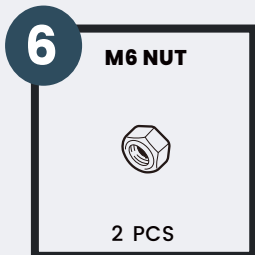
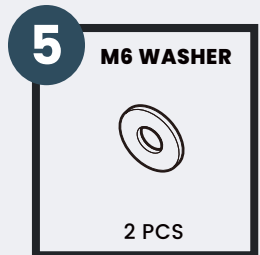
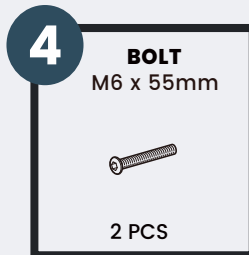
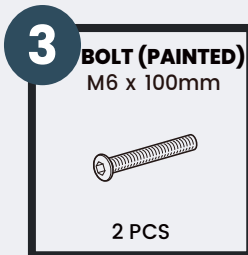
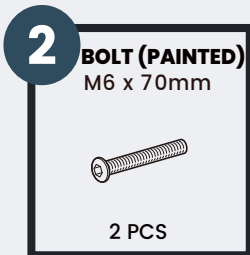
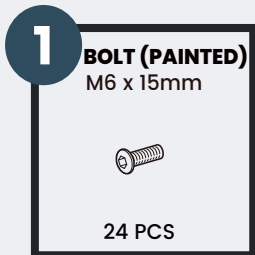


3 PERSON
ASSEMBLY

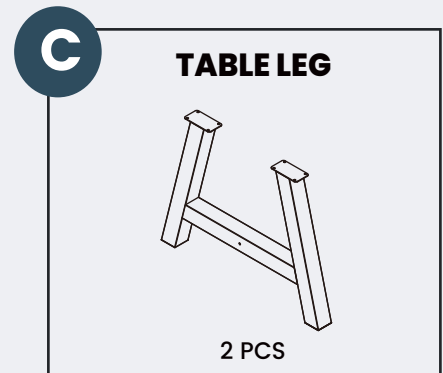
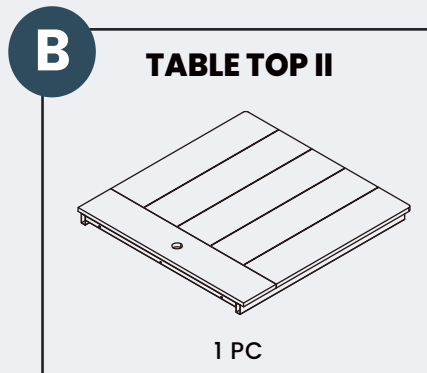
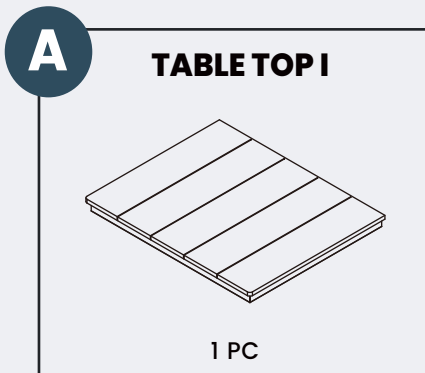


UP TO 30 MIN.
ASSEMBLY

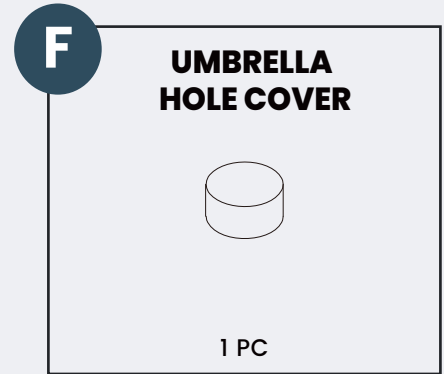
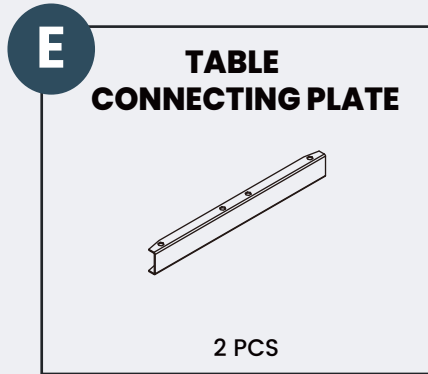
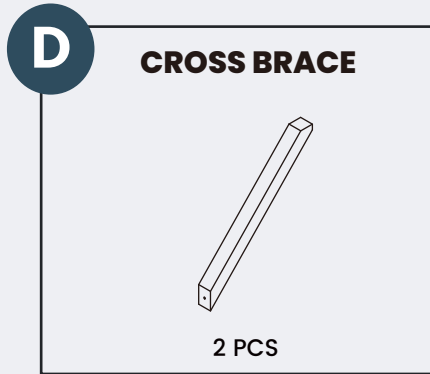
HARDWARE



PARTS

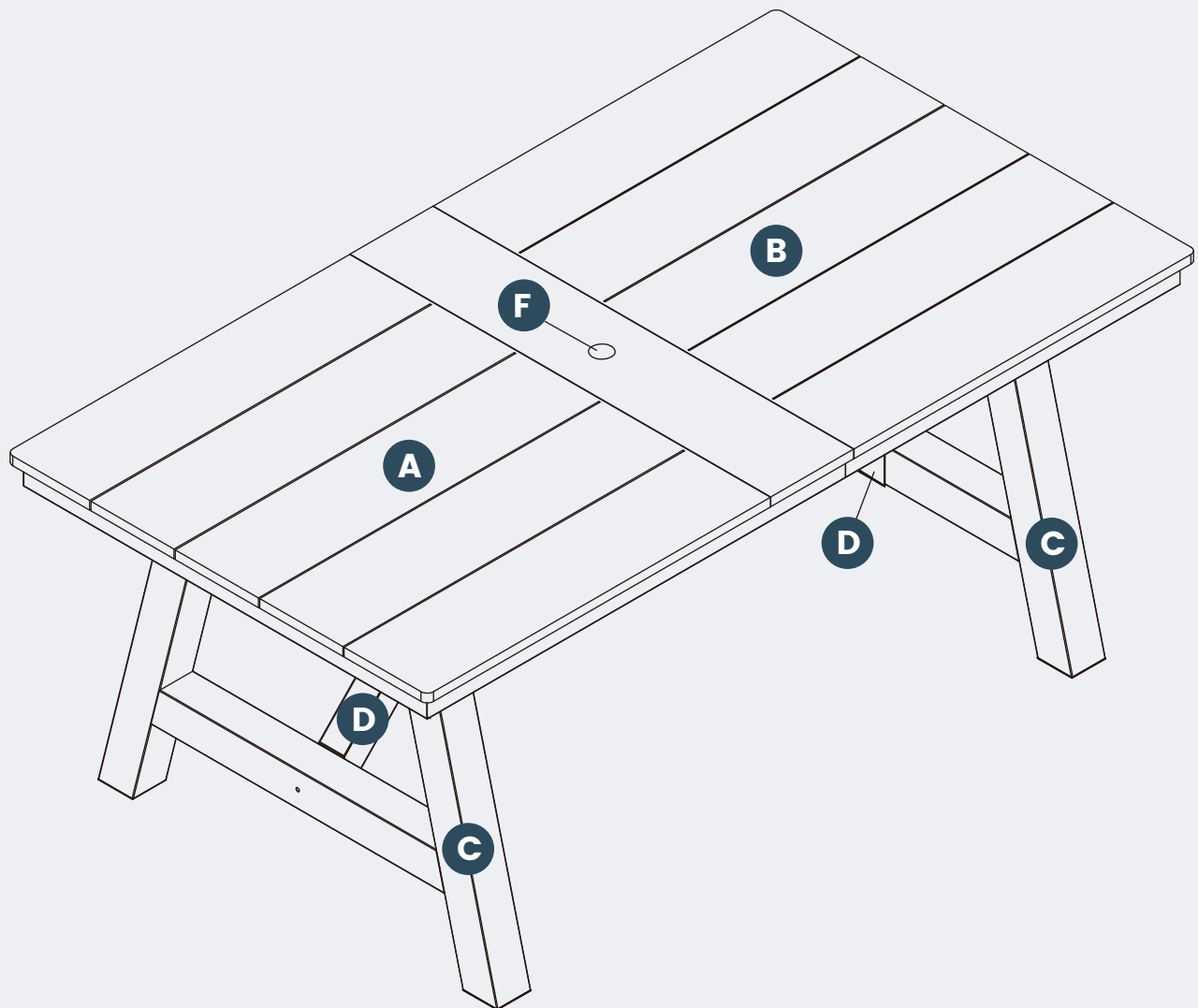


PARTS



PRODUCT ASSEMBLY – OVERALL VIEW

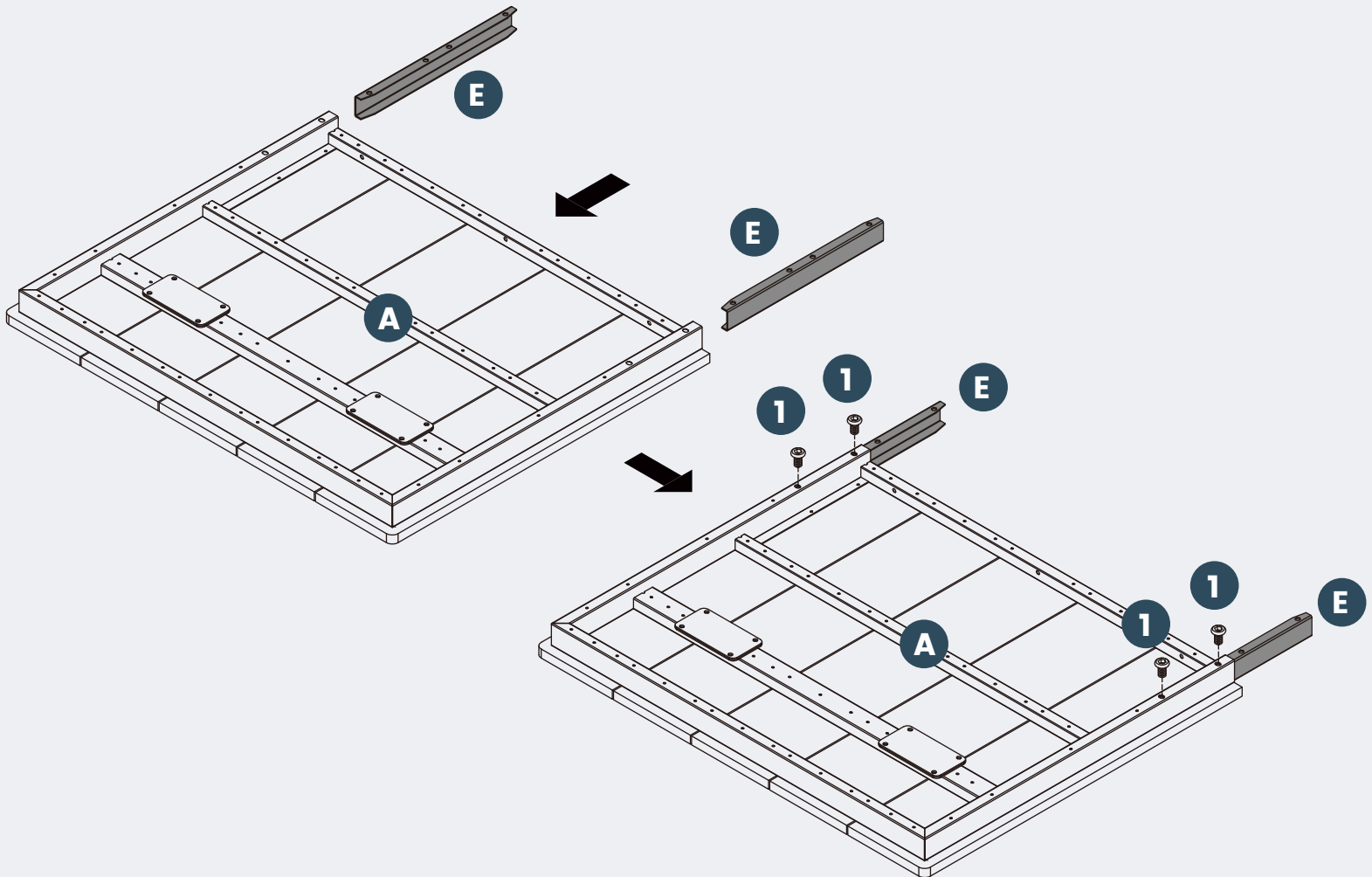
Look at the overall view of this table and learn the exact position of each part to be assembled.



PRODUCT ASSEMBLY

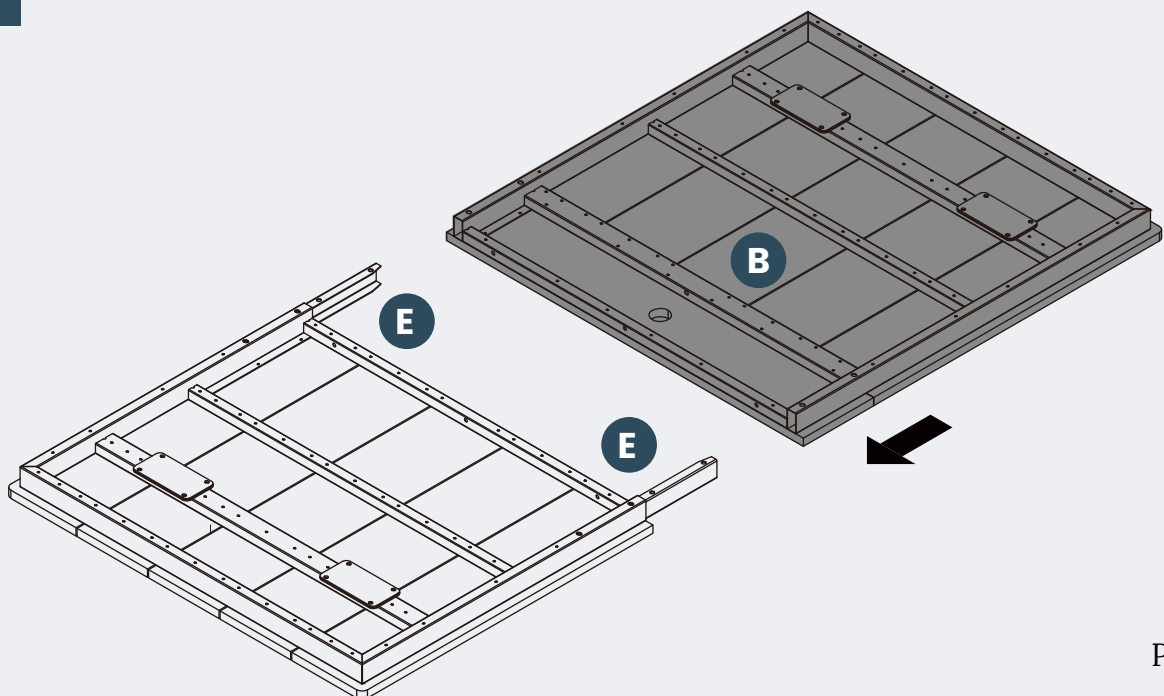
1

Attach **Part E Table Connecting Plate** to **Part A Table Top I** with 4 pcs of **Hardware #1 Bolt**.



2

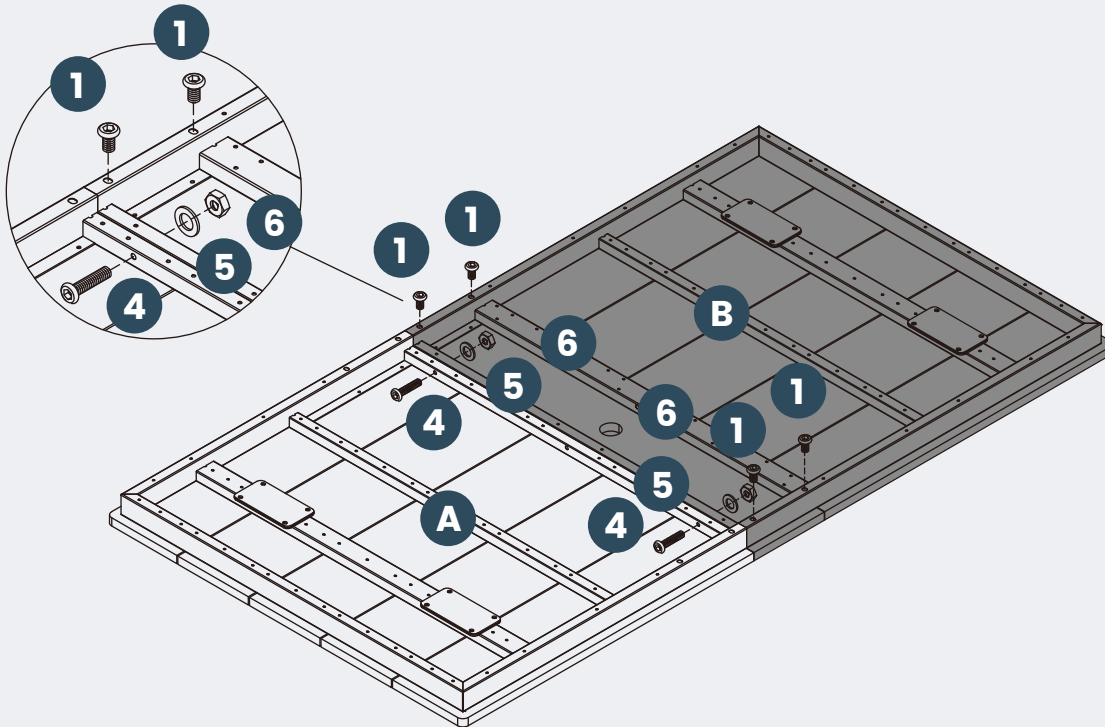
Insert **Part E Table Connecting Plate** into **Part B Table Top II**.



PRODUCT ASSEMBLY

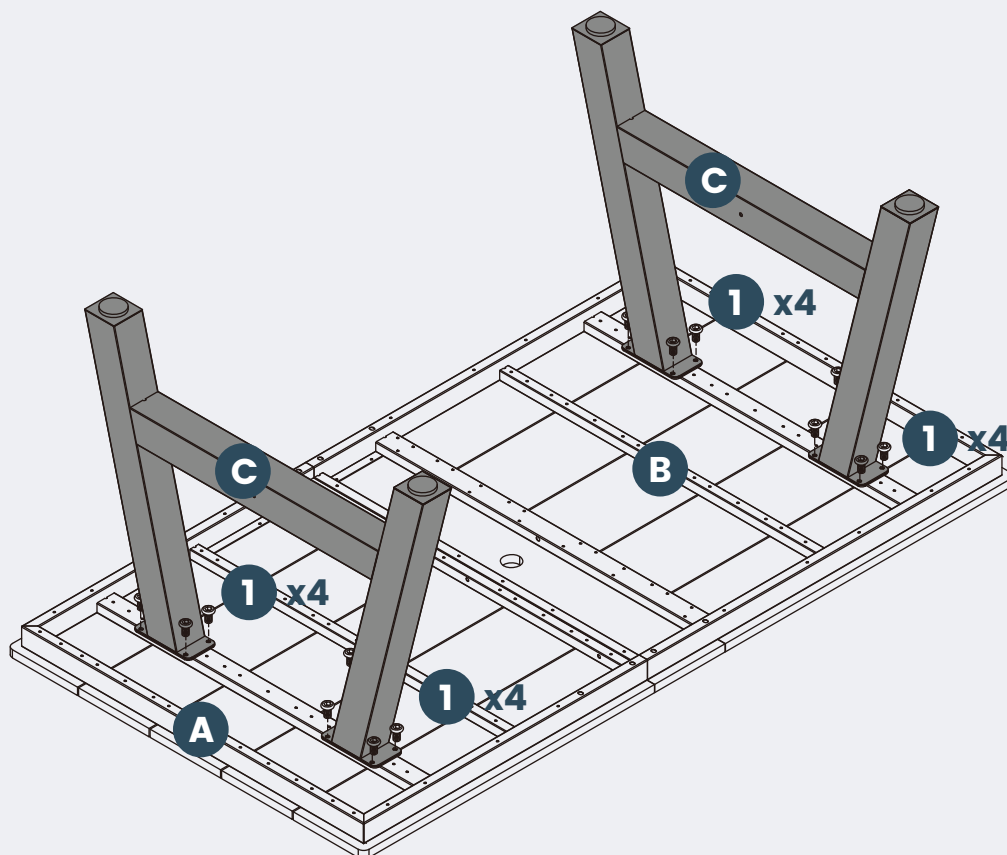
3

Attach **Part B Table Top II** to **Part E Table Connecting Plate** with 4 pcs of **Hardware #1 Bolt**.
Attach **Part A Table Top I** to **Part B Table Top II** with 2 pcs of **Hardware #4 Bolt**, 2 pcs of **Hardware #5 Washer** and **Hardware #6 Nut**.



4

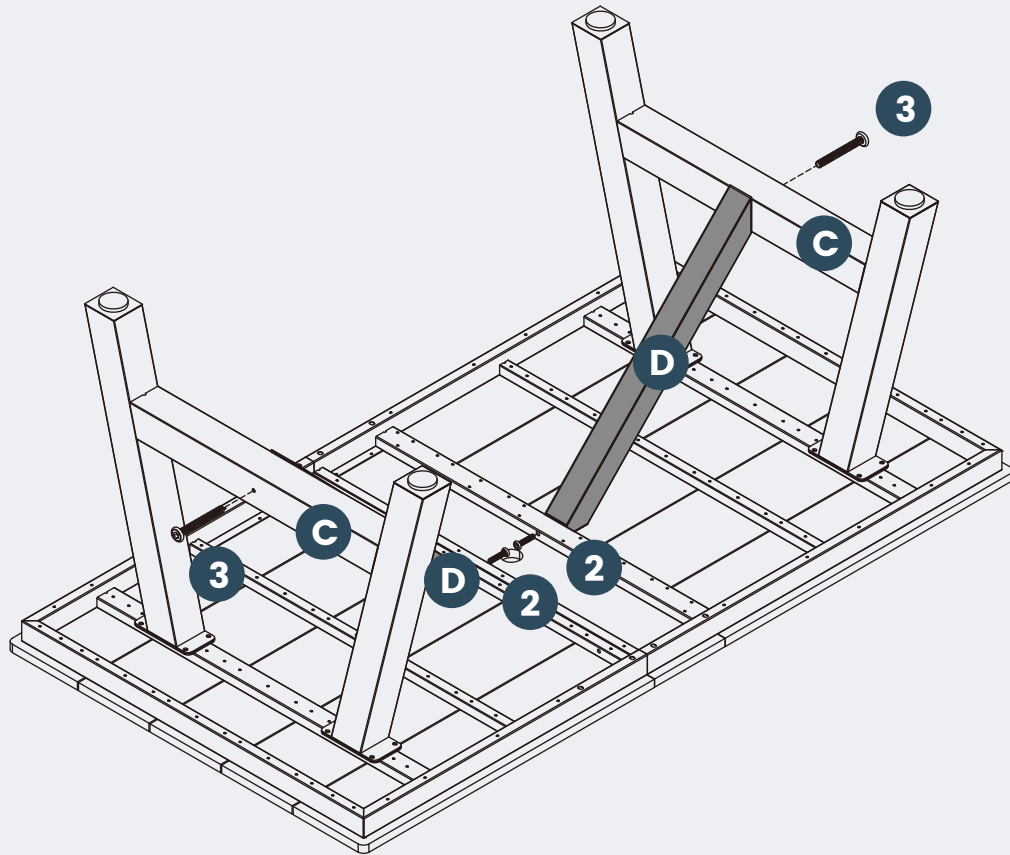
Attach **Part C Table Leg** to **Part A Table Top I** and **Part B Table Top II** with 16 pcs of **Hardware #1 Bolt**.



PRODUCT ASSEMBLY

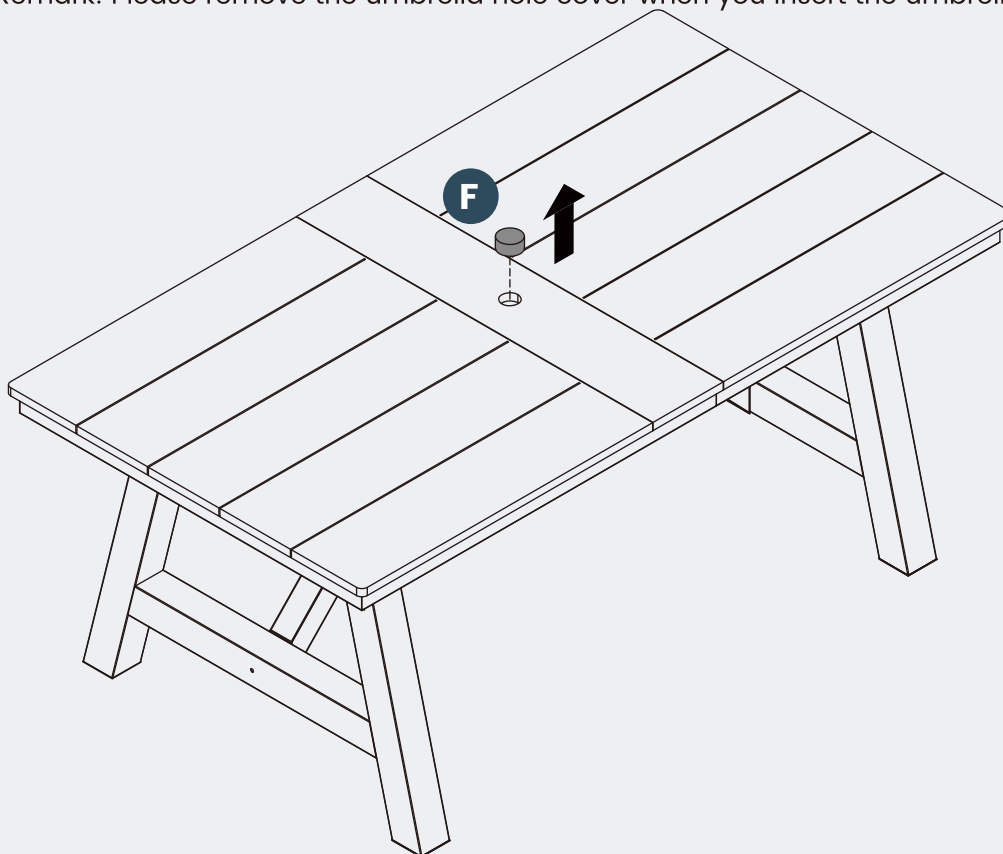
5

Attach **Part D Cross Brace** to **Part C Table Leg** with 2 pcs of **Hardware #2 Bolt** and 2 pcs of **Hardware #3 Bolt**.

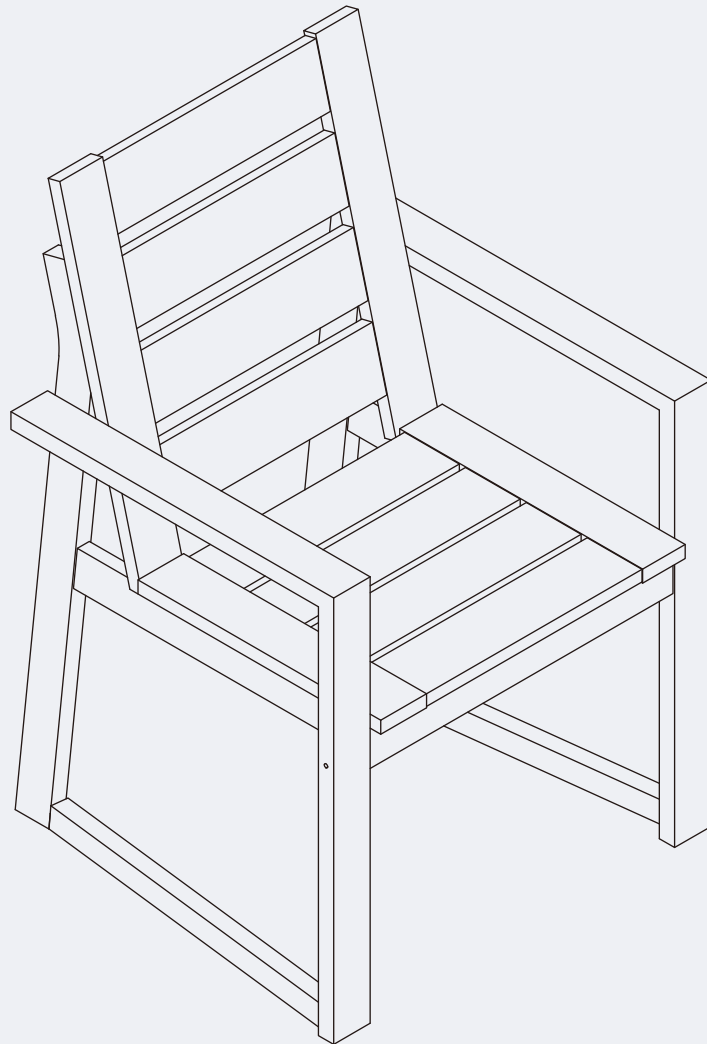


6

Check and tighten all the bolts again to finish the assembly.
Remark: Please remove the umbrella hole cover when you insert the umbrella!



INSTRUCTION MANUAL



Outdoor Dining Arm Chair

! NOTICE

Do not overtighten screws. (Insert all screws before tightening screws.)

- Please do not exceed the weight limitations of this item.
- Do not stand on or use any part of this item as a step ladder.
- Firmly secure all bolts, screws, and nuts before use.
- Reconfirm that all bolts, screws, and nuts are secure every 90 days.
- Do not use or store this item in the proximity of open flame or flammable/combustible chemicals.
- Be aware that some parts are heavy and have sharp edges.
- When using an electric drill, please adjust its speed slowly to avoid screw slippage.

TOOLS REQUIRED



CHAIR
330 LBS
CAPACITY

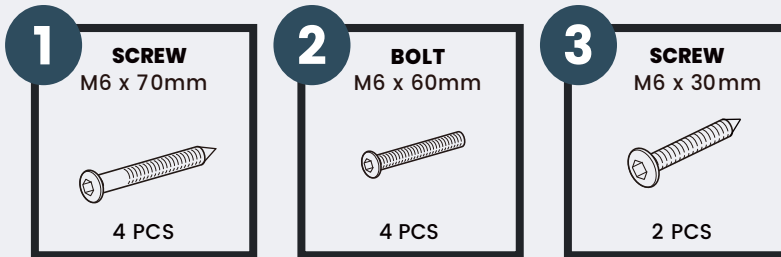


2 PERSON
ASSEMBLY

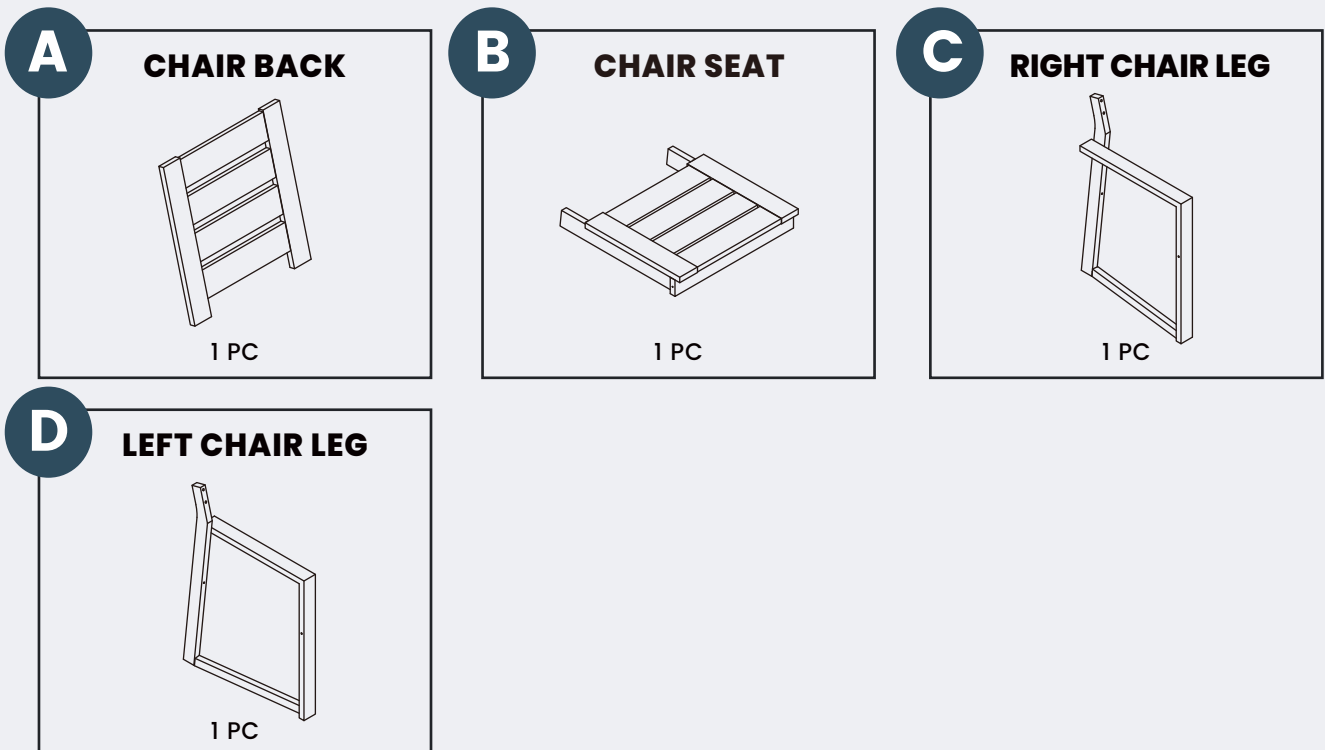


UP TO 30 MIN.
ASSEMBLY

HARDWARE

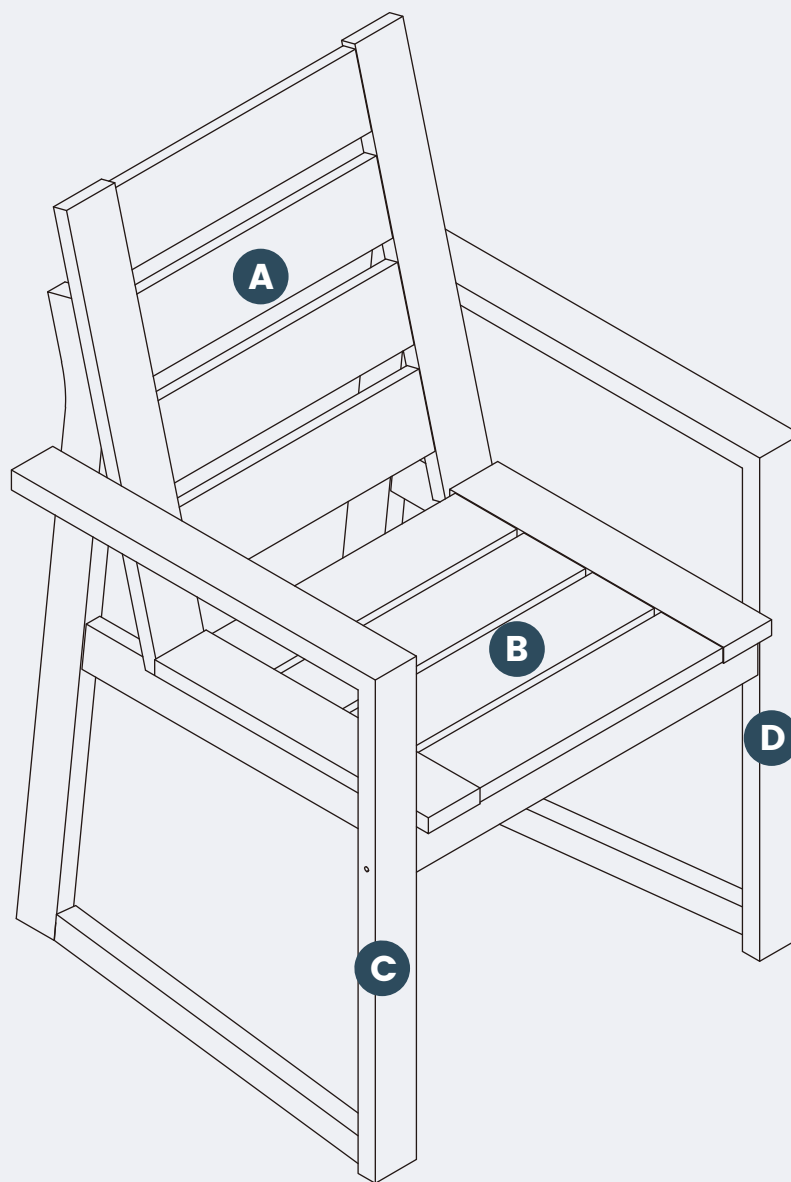


PARTS



PRODUCT ASSEMBLY – OVERALL VIEW

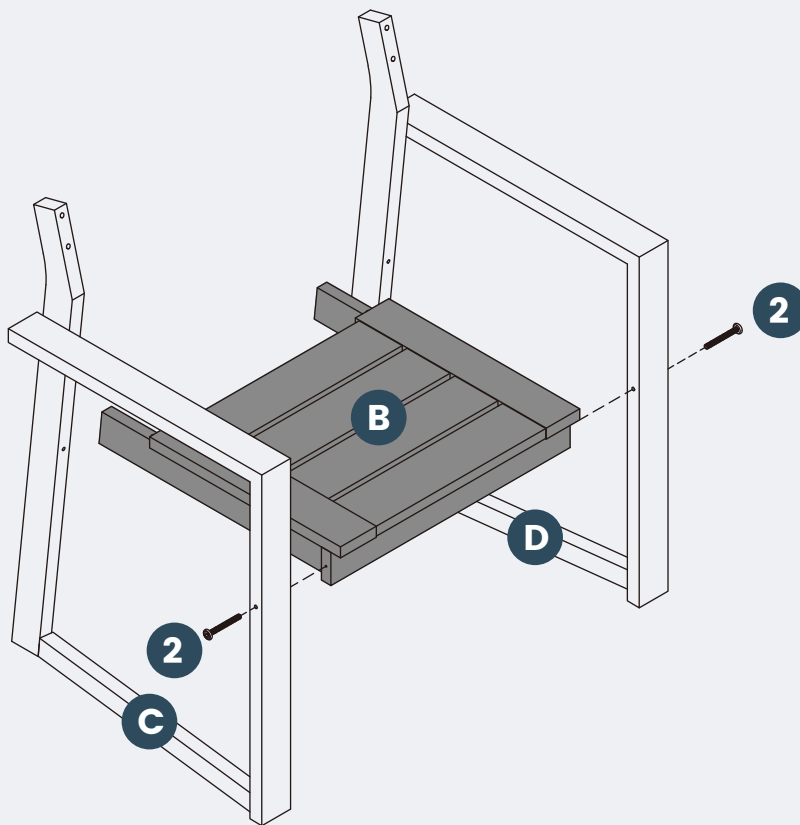
Look at the overall view of this chair and learn the exact position of each part to be assembled.



PRODUCT ASSEMBLY

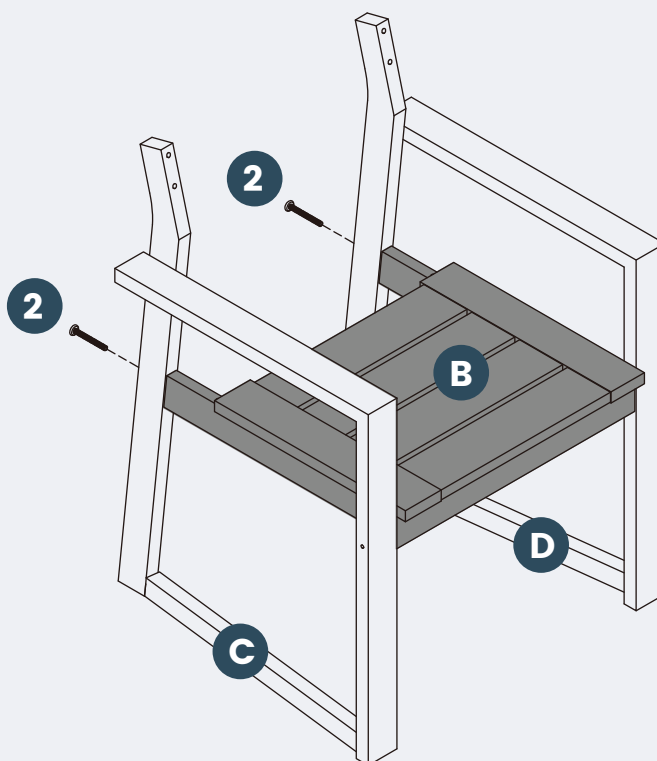
1

Attach **Part C Right Chair Leg** and **Part D Left Chair Leg** to **Part B Chair Seat** with 2 pcs of **Hardware #2 Bolt**.



2

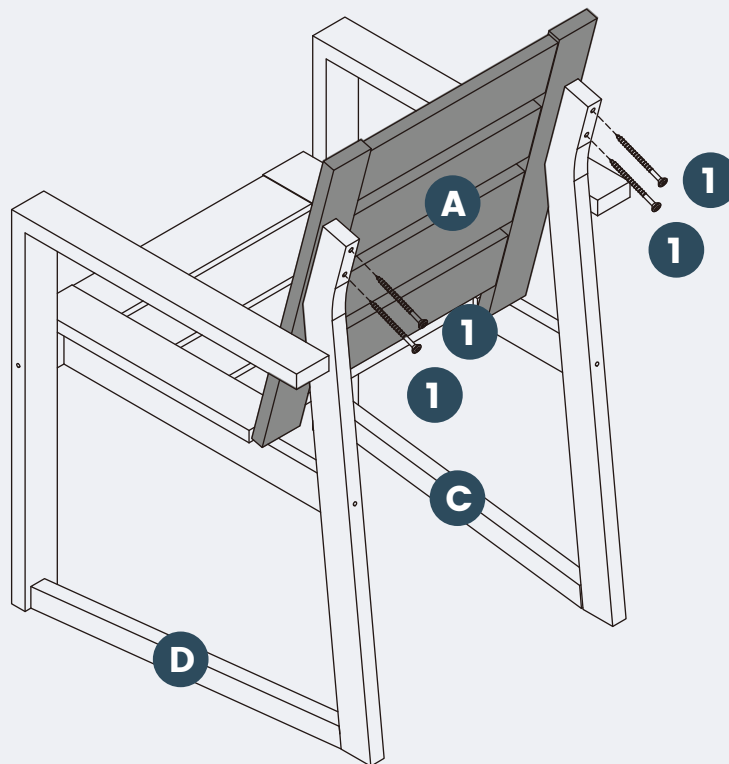
Attach **Part C Right Chair Leg** and **Part D Left Chair Leg** to **Part B Chair Seat** with 2 pcs of **Hardware #2 Bolt**.



PRODUCT ASSEMBLY

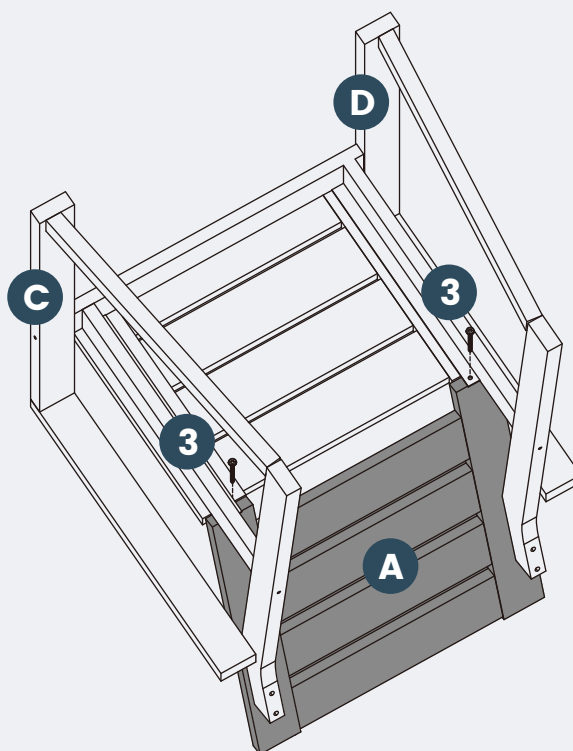
3

Attach **Part C Right Chair Leg** and **Part D Left Chair Leg** to **Part A Chair Back** with 4 pcs of **Hardware #1 Screw**.

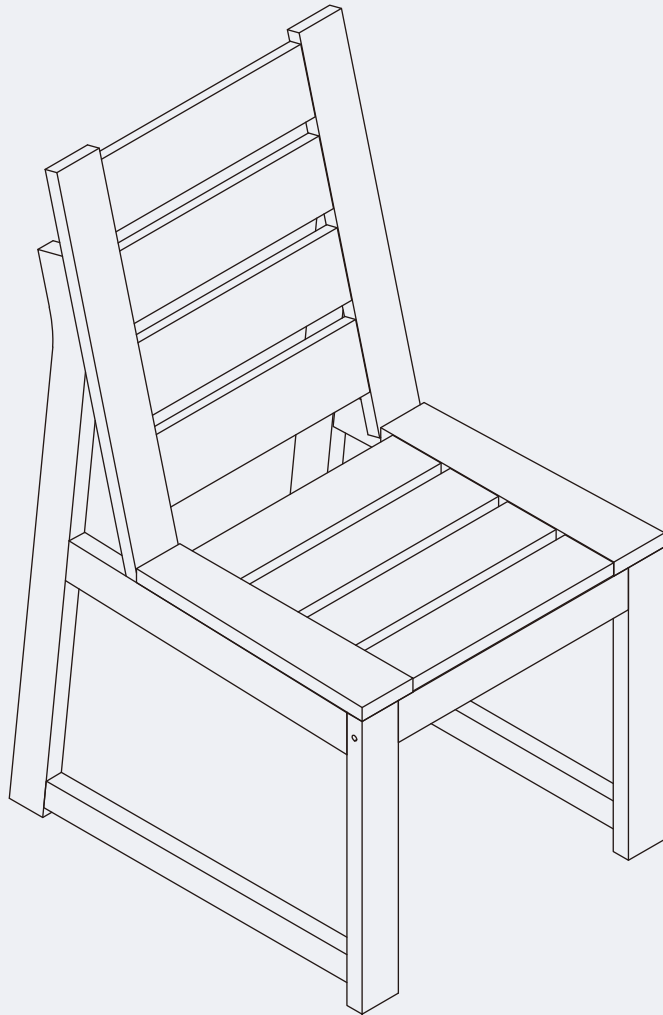


4

Attach **Part C Right Chair Leg** and **Part D Left Chair Leg** to **Part B Chair Seat** with 2 pcs of **Hardware #3 Screw**.



INSTRUCTION MANUAL



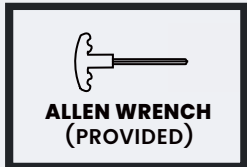
Outdoor Dining Side Chair

! NOTICE

Do not overtighten screws. (Insert all screws before tightening screws.)

- Please do not exceed the weight limitations of this item.
- Do not stand on or use any part of this item as a step ladder.
- Firmly secure all bolts, screws, and nuts before use.
- Reconfirm that all bolts, screws, and nuts are secure every 90 days.
- Do not use or store this item in the proximity of open flame or flammable/combustible chemicals.
- Be aware that some parts are heavy and have sharp edges.
- When using an electric drill, please adjust its speed slowly to avoid screw slippage.

TOOLS REQUIRED



CHAIR
330 LBS
CAPACITY

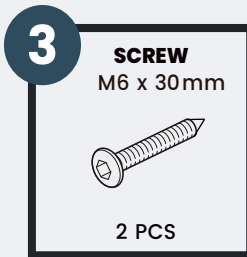
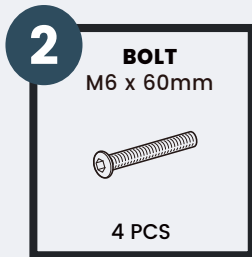
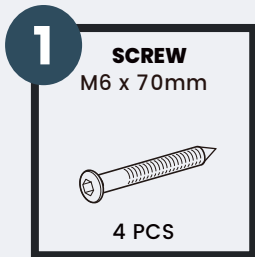


2 PERSON
ASSEMBLY

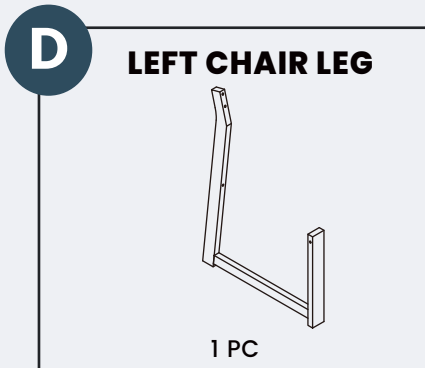
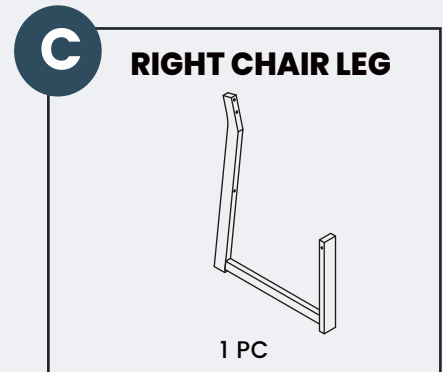
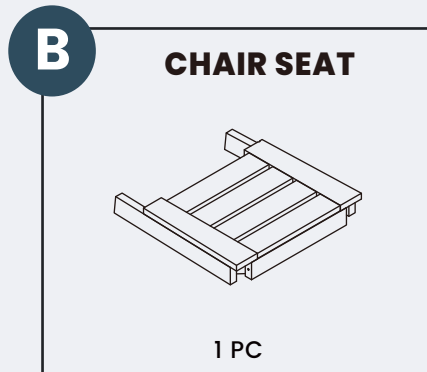
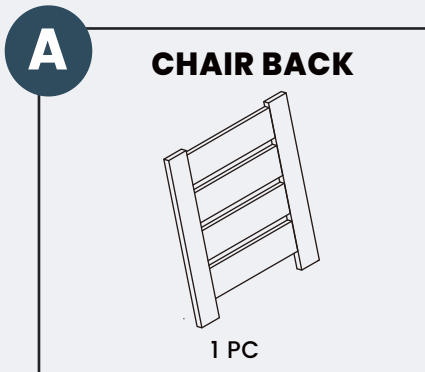


UP TO 30 MIN.
ASSEMBLY

HARDWARE

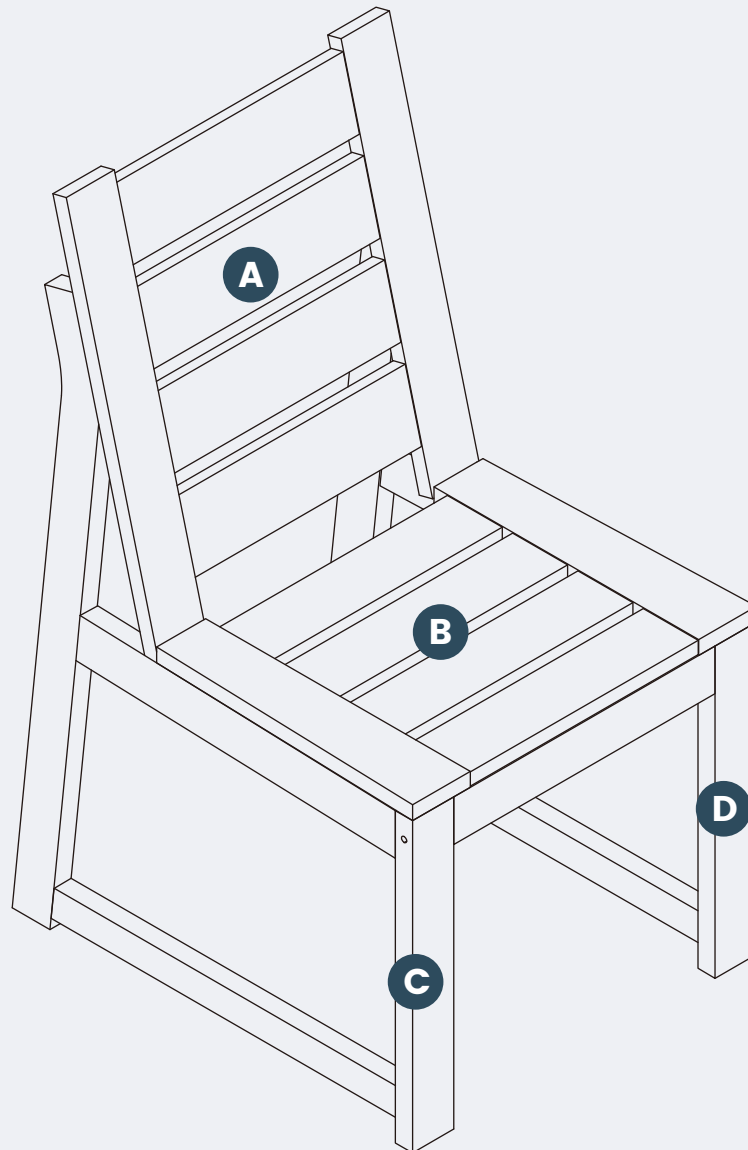


PARTS



PRODUCT ASSEMBLY – OVERALL VIEW

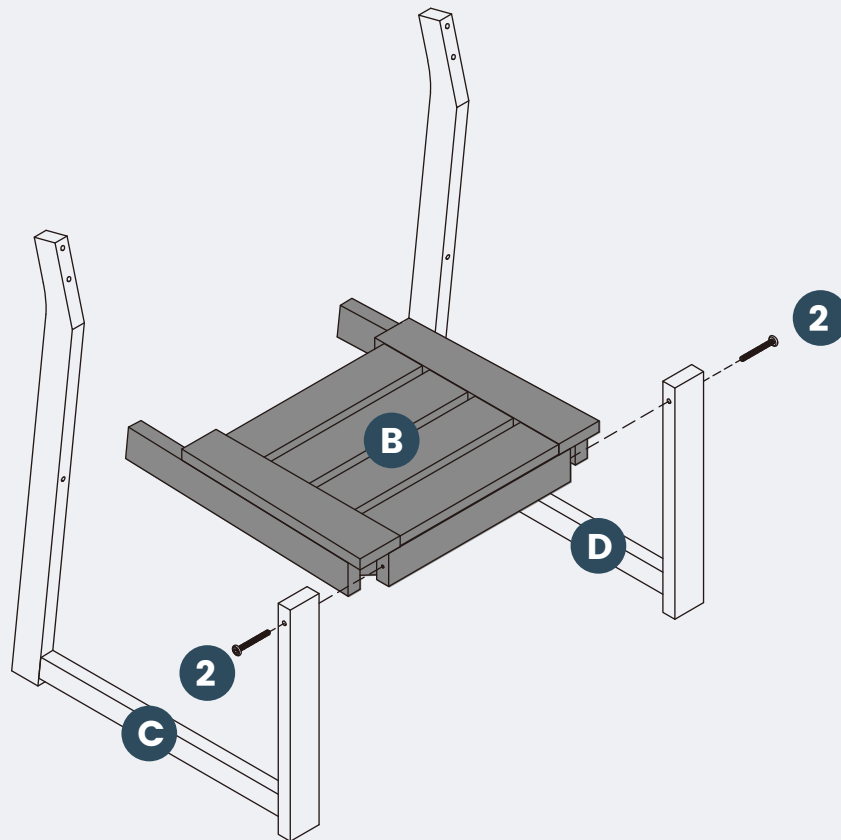
Look at the overall view of this chair and learn the exact position of each part to be assembled.



PRODUCT ASSEMBLY

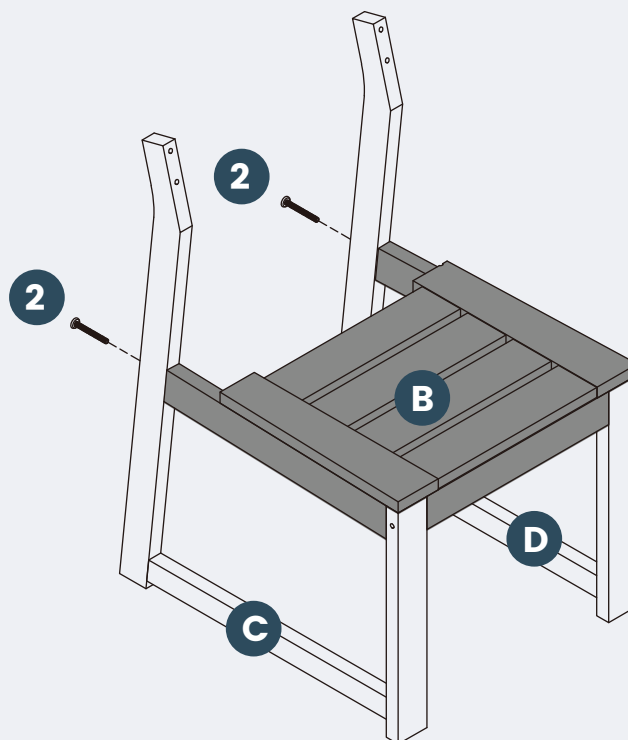
1

Attach **Part C Right Chair Leg** and **Part D Left Chair Leg** to **Part B Chair Seat** with 2 pcs of **Hardware #2 Bolt**.



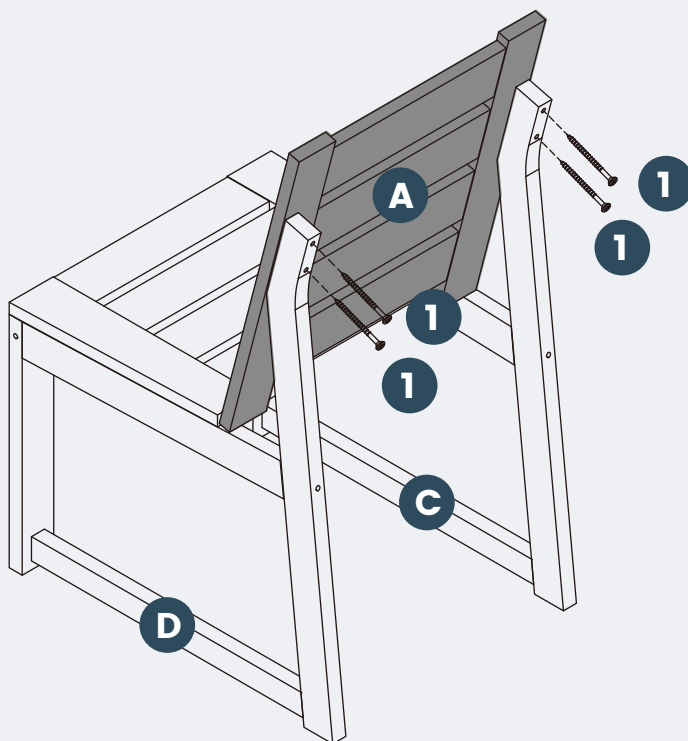
2

Attach **Part C Right Chair Leg** and **Part D Left Chair Leg** to **Part B Chair Seat** with 2 pcs of **Hardware #2 Bolt**.

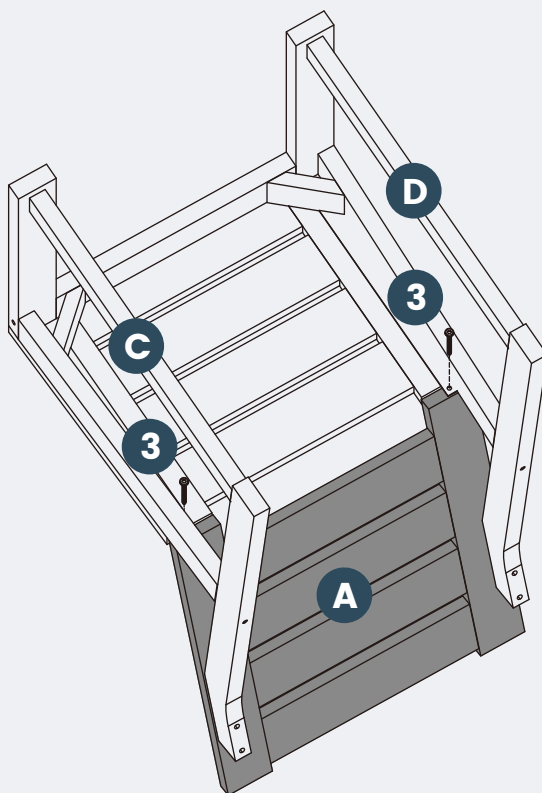


PRODUCT ASSEMBLY

- 3** Attach **Part C Right Chair Leg** and **Part D Left Chair Leg** to **Part A Chair Back** with 4 pcs of **Hardware #1 Screw**.



- 4** Attach **Part C Right Chair Leg** and **Part D Left Chair Leg** to **Part B Chair Seat** with 2 pcs of **Hardware #3 Screw**.



CLEANING TIPS

REGULAR CLEAN: Use a mixture of warm water and mild soap. Gently scrub the surface with a soft bristle brush to remove any dirt or stains.

QUICK CLEAN: You can simply wipe down the furniture with a damp cloth.

Regular cleaning not only preserves the aesthetic appeal of your furniture, but also helps extend its lifespan.