

# Juno®

## JFX Series

Project:
Fixture Type:
Location:
Contact/Phone:

### JFX LED Tapelight



### Product Features

JFX Tapelight is a versatile system capable of being used in task or accent lighting in commercial, retail, residential and outdoor settings. This system is ideal for linear run lengths up to 40ft of continuous illumination. The wet location option offers IP65 rating with fully encapsulated tapelight providing a robust and durable solution for outdoor applications. When used with an extrusion to create an enclosure, the overall height of the enclosure is less than 0.5" thick, which makes this tapelight ideal for being hidden underneath cabinets or in tight wall features. A LED population of up to 36 LEDs per foot means uniform illumination even without the use of a diffuser. JFX Tapelight keeps the installation easy with NEC rated junction boxes included with all drivers.

### Applications

- Ideal for long, linear run lengths
- Flexible PCBA allows mounting to curved surfaces which are 4" radius or greater
- Minimized overall profile for hidden installation
- Linkable end to end
- Wet location rated for outdoor usage
- 3M adhesive rated for multiple working surfaces such as: metals, woods, plastics.



# Juno® JFX Series



Looking for Contractor Select readily available configurations? Click here to visit Contractor Select™ spec sheet or go to [www.contractorselect.com](http://www.contractorselect.com)

## ORDERING INFORMATION

### Juno JFX

Example: JFX 24V 200LM 16FT 27K 90CRI DL

Series	Voltage	Lumen	Reel Length	CCT	CRI	IP Rating
JFX <sup>1</sup> Juno Flex Tapelight	24V 24 VOLT	100LM <sup>2</sup> 100 LUMENS PER FOOT	16FT 16.4FT REEL	27K 2700K CCT	90CRI <sup>3</sup> 90 CRI	DL DAMP LOCATION WL WET LOCATION
		200LM 200 LUMENS PER FOOT	100FT 100FT REEL	30K 3000K CCT		
		300LM 300 LUMENS PER FOOT		40K 4000K CCT		
				RGBW <sup>2,9</sup> RED GREEN BLUE WHITE		

### JFX CUSTOM ORDERING TREE

Example: JFX 24V 200LM 1FT4IN 30K 90CRI DL SLCH

Series	Voltage	Lumen	Custom Length <sup>4</sup>	CCT	CRI	IP Rating	Channels	Lead Length	
JFX Juno Flex Tapelight	24V 24 VOLT	100LM <sup>2</sup> 100 LUMENS PER FOOT	1FT 1 FOOT	27K 2700K CCT	90CRI <sup>3</sup> 90 CRI	DL DAMP LOCATION WL WET LOCATION	NSLCH NO SLIM CHANNEL SLCH SLIM CHANNEL	24IN 24IN LEAD	
			2FT 2 FOOT						30K 3000K CCT
			3FT 3 FOOT						
		4FT <sup>5</sup> 4 FOOT	RGBW <sup>7,9,12</sup> RED GREEN BLUE WHITE						
		2IN 2 INCHES							
		4IN <sup>4</sup> 4 INCHES							
		6IN 6 INCHES							
		8IN <sup>4</sup> 8 INCHES							
		10IN 10 INCHES							

## Driver Ordering Table Ordering Example: JFXDRV 120VAC MLV 20W

Series	Voltage	Type	Wattage
JFXDRV JFX Driver	120VAC	MLV Line Voltage Dimmable Driver	20W 20 Watts
JFXDRV JFX Driver	120VAC	MLV Line Voltage Dimmable Driver	40W 40 Watts
JFXDRV JFX Driver	120VAC	MLV Line Voltage Dimmable Driver	60W 60 Watts
JFXDRV JFX Driver	120VAC	MLV Line Voltage Dimmable Driver	96W 96 Watts
JFXDRV JFX Driver	MVOLT 120-277VAC	CLV Constant Low Voltage Non-Dimmable Driver	60W 60 Watts
JFXDRV JFX Driver	MVOLT 120-277VAC	CLV Constant Low Voltage Non-Dimmable Driver	100W 100 Watts

### Notes:

1. Must order driver from Driver Ordering Table.
2. Only available on RGBW tapelight.
3. 90CRI for RGBW only applies to White LED modes.
4. 200LM tapelight is only available in 4 inch increments.
5. 4FT considered maximum shipping length.
6. Considered as Custom-Kitting. Requires additional leadtime for assembly and shipping (## day).
7. Constant Voltage driver required for RGBW tapelight.
8. Refer to Min/Max run table below.
9. Must choose one of the RGBW accessory control options for On/Off and color control. Also choose RGBW connector options for easy installation.
10. Requires a DMX controller (not included).
11. Contains (1) tapelight to tapelight connector, (3) tapelight to wire connectors.
12. Only available with 100LM option.
13. JFX CNT Connectors not compatible with WL tape. See installation instructions for detail on WL leads/connection.

Accessories: Order as separate catalog number.	
JFX IRM <sup>9</sup>	RGBW IR Remote and Receiver
JFX RGBW DMX <sup>9,10</sup>	RGBW DMX Decoder
JFX SLCH	Slim Channel, 48"
JFX CNT <sup>11,13</sup>	Pack of 4 Connectors (for use with static CCT tape only)
JFX RGBW CNT TTEE <sup>13</sup>	RGBW Connector Tape-To-Tape & End-To-End
JFX RGBW CNT TTEX <sup>13</sup>	RGBW Connector Tape-To-Tape, 6IN Jumper Cable
JFX RGBW CNT TWEX <sup>13</sup>	RGBW Connector Tape-To-Wire, 6IN Leader Cable

End Caps and Hardware	
RK4JFX SLCH HRDWKIT M200	Extrusion hardware kit with clips (2), screws (2), and end caps (1 each)
RK4JFX WL HRDWKIT M200	Wet location hardware kit with end caps (2 each) and clips (10)

## Specifications

### Construction

Flexible JFX tapelight is manufactured with the highest quality PCB materials, components, and binning processes to ensure color and lumen consistency for a high-end professional installation. With up to 36 LEDs per inch, JFX ensures illumination uniformity for tight space and hidden light source applications. For Wet Location Options, a complete silicone encapsulation is included for an IP65-rated tapelight. Can be field cut at marked locations using standard steel office scissors for desired linear length.

### LED Light Engine

Long-life LEDs mounted to a flexible PCBA with a minimum bend radius of 4" (Front to Back), coupled with quality drivers to provide extended service life. JFX is rated to deliver L70 @ 50,000 hours. The product can be dimmed to 10% or less depending on driver and/or control option utilized.

### Electrical Connections

JFX utilizes a 120VAC or MVOLT (120-277) drivers at 50/60Hz (see driver specification tables below). All drivers provide a constant voltage output of 24VDC with output ratings from 20 to 100 watts. Capable of operating from -22°C to +70°C ambient.

### Junction Box Mounting

### Testing

All test reports are based on published industry procedures; field performance may differ from actual performance.

### Warranty

5-year limited warranty. This is the only warranty provided and no other statements in this specification sheet create any warranty of any kind. All other express and implied warranties are disclaimed. Complete warranty terms located at: [www.acuitybrands.com/support/warranty/terms-and-conditions](http://www.acuitybrands.com/support/warranty/terms-and-conditions)

**Note:** Actual performance may differ as a result of end-user environment and application.

All values are design or typical values, measured under laboratory conditions at 25 °C.

Specifications subject to change without notice.

## Tapelight Specifications

Tapelight	Watts/Ft	Dimmable	Max Run (Ft)	Lumens/Ft			
				27K	30K	40K	RGBW
JFX Static 200 DL	2.3	Y	40	185	191	200	n/a
JFX Static 200 WL	2.3	Y	40	172	178	186	n/a
JFX Static 300 DL	3.4	Y	25	275	285	298	n/a
JFX Static 300 WL	3.4	Y	25	256	265	277	n/a
JFX RGBW 100 DL	2.2	Y	25	n/a	n/a	n/a	86
JFX RGBW 100 WL	2.2	Y	25	n/a	n/a	n/a	81

## Minimum Allowable Run Length ( Total Ft)

Driver	MLV				CLV	
	20W	40W	60W	96W	60W	100W
200 DL/WL	1.7	3.5	5.2	8.3	n/a	n/a
300 DL/WL	1.2	2.4	3.5	5.6	n/a	n/a
100 RGBW	n/a	n/a	n/a	n/a	1.1	1.8

## Maximum Allowable Run Length (Ft)

Driver	MLV				CLV	
	20W	40W	60W	96W	60W	100W
200 DL/WL	7.0	13.9	20.9	33.4	26.1	40.0
300 DL/WL	4.7	9.4	14.1	22.6	17.6	27.3
100 RGBW	n/a	n/a	n/a	n/a	27.3	45.5

## JFX Drivers Specifications

### Product Features

Power JFX tapelight with multiple driver options to best meet project requirements. MLV drivers in 20, 40, 60, and 96 watts are ideal for static tapelight applications with On/Off and/or line voltage dimming. The CLV drivers in 60 and 100 watts providing constant, non dimming output which provides a perfect solution when combined with the RGBW RF or DMX control solutions for RGBW applications. See driver specifications and recommended min/max tapelight run length tables below.

### Mechanical Construction

All junction boxes included with JFX DRV are designed to be NEC compliant. Each are constructed using 18GA cold-rolled steel and powder coated. The black finish helps to easily conceal the unit and provides additional protection against atmospheric conditions. All junction boxes come with conveniently located input and output power knockouts from 1" to 1.25" sizes to be highly adaptable for various wiring layouts. Ventilation holes and mounting orientation is provided to ensure proper thermal management and air handling capabilities. Each box comes with a 1" romex-style connector clamp.

### Electrical Specification

JFXDRV drivers operate at 120VAC or MVOLT ( 120-277VAC ) @ 50/60Hz depending on the driver option selected. All drivers provide a constant output of 24VDC, up to 100W of total system power. Ambient operating temperatures vary based on driver selected. Drivers should be loaded to 80% maximum (i.e. 32W for 40W model). Drivers should be loaded to minimum 20% (i.e. 8W for 40W model). Refer to driver specification table below for details.

### Installation

JFX DRV junction boxes are designed for multiple installation settings. Typical installation locations include, but are not limited to, behind wall, electrical rooms, over cabinet, and more. It is recommended the junction boxes are not installed in an insulation-contact setting or installed within 2 inches of a cabinet wall. Do not install in a compartment smaller than 15.25" X 7.75" X 3.75". All boxes come with mounting hole provisions to be installed on a flat surface such as drywall, studs, or other structural members.

### Certifications

UL recognized component for U.S. and Canada. Listed for damp locations.

### Testing

All test reports are based on published industry procedures; field performance may differ from actual performance.

### Warranty

5-year limited warranty. This is the only warranty provided and no other statements in this specification sheet create any warranty of any kind. All other express and implied warranties are disclaimed. Complete warranty terms located at: [www.acuitybrands.com/support/warranty/terms-and-conditions](http://www.acuitybrands.com/support/warranty/terms-and-conditions)

**Note:** Actual performance may differ as a result of end-user environment and application.

All values are design or typical values, measured under laboratory conditions at 25 °C.

Specifications subject to change without notice.

### MLV Dimmer Compatibility

Lutron	Maestro	MAELV-600
		MAEL-153M
	Diva	DVLEV-300P
		DVCL-153P
	Homeworks	HQRD-6ND
Caseta	PD-5NE	
Leviton	RadioR2	RRD-PRO
	Sureslide	6674-P
	Decora	DSE06-10Z

### Driver Specifications

Driver	Wattage	Input (VAC)	Output (VDC)	Min Load (W)	Max Load (W)	Dimming	Ambient Temp (°C)	Class 2 Compliance	Listing	Protection	Applications
JFXDRV 120VAC MLV 20W	20	120	24	4	16	10%	-20° / +50°	Yes	Wet / NEMA 3R	Overload/Short Circuit	Static/Standard Dim
JFXDRV 120VAC MLV 40W	40	120	24	8	32	10%	-20° / +50°	Yes	Wet / NEMA 3R	Overload/Short Circuit	Static/Standard Dim
JFXDRV 120VAC MLV 60W	60	120	24	12	48	10%	-20° / +50°	Yes	Wet / NEMA 3R	Overload/Short Circuit	Static/Standard Dim
JFXDRV 120VAC MLV 96W	96	120	24	19.2	76.8	10%	-20° / +50°	Yes	Wet / NEMA 3R	Overload/Short Circuit	Static/Standard Dim
JFXDRV MVOLT CLV 60W	60	120-277	24	2.5	60	None	-30° / +70°	Yes	Damp	Overload/Short Circuit	RGBW/No Dim/Title 24
JFXDRV MVOLT CLV 100W	100	120-277	24	4	100	None	-30° / +70°	Yes	Damp	Overload/Short Circuit	RGBW/No Dim/Title 24

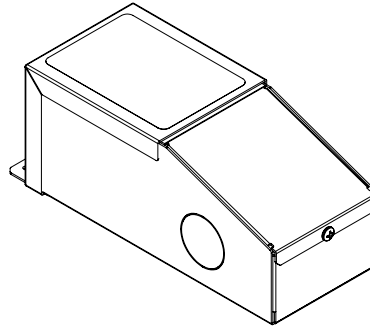
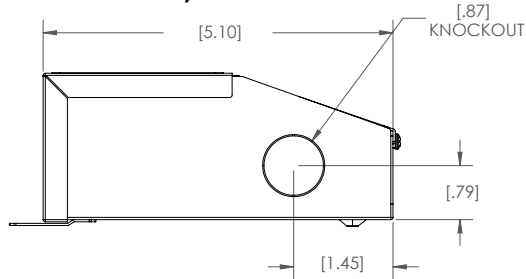
### 24V Voltage Drop & Wire Length Distance Chart (3% Drop or 23.28V)\*

Wire Gauge	10 W .42 A	20 W .83 A	30 W 1.3 A	40 W 1.7 A	50 W 2.1 A	60 W 2.5 A	70 W 2.9 A	80 W 3.3 A	90 W 3.75 A	100 W 4.2 A
20 AWG	85 FT	43 FT	27 FT	21 FT	17 FT	14 FT	12 FT	11 FT	9 FT	8 FT
18 AWG	134 FT	68 FT	45 FT	33 FT	27 FT	22 FT	19 FT	17 FT	15 FT	14 FT
16 AWG	215 FT	109 FT	72 FT	54 FT	43 FT	36 FT	31 FT	27 FT	24 FT	22 FT
14 AWG	345 FT	174 FT	115 FT	86 FT	69 FT	57 FT	49 FT	43 FT	39 FT	36 FT
12 AWG	539 FT	272 FT	181 FT	135 FT	108 FT	90 FT	77 FT	68 FT	61 FT	56 FT
10 AWG	784 FT	397 FT	263 FT	197 FT	158 FT	131 FT	112 FT	98 FT	97 FT	82 FT

\*These tables provide general guidelines for determining Wire Gauge based on total load and distance From LED driver to beginning of luminaire.

# Juno® JFX Series

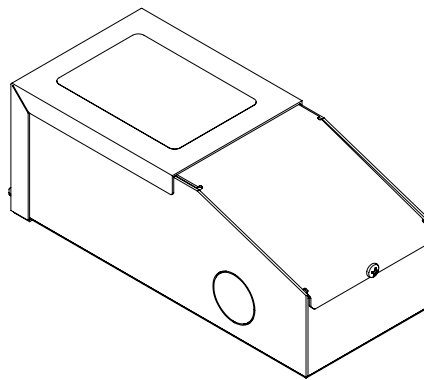
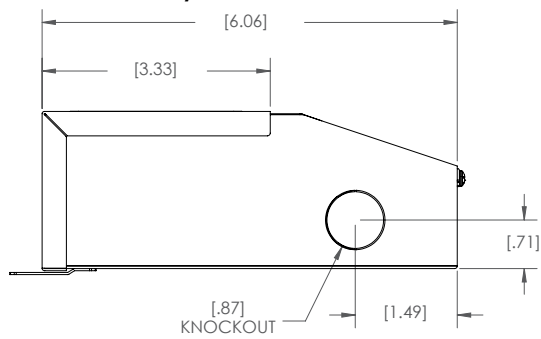
## JFXDRV MLV 20W/40W



### Enclosure Box

Length	5.10 IN
Width	2.24 IN
Height	2.23 IN

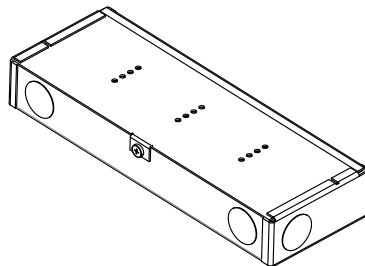
## JFXDRV MLV 60W/96W



### Enclosure Box

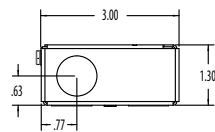
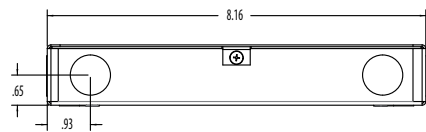
Length	6.06 IN
Width	2.68 IN
Height	2.37 IN

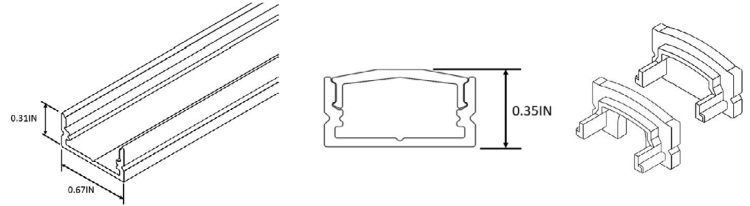
## JFXDRV CLV 60W / 100W



### Enclosure Box

Length	8.16 IN
Width	3 IN
Height	1.30 IN





## JFX Channel Specifications

### Construction

Improve JFX tapelight performance with the the JFX SLCH, slim channel. The channel is constructed of 6063-T5 aluminum. Performance maintenance by reducing dust and bug contamination using the SLCH. Increase LED life by extracting more heat from the light source using the SLCH. Create a smoother illumination by putting the tapelight behind a lens and improving distribution.

### Lens

The SLCH lens is a durable, flexible polycarbonate material. The lens fits to the channel via interference fit and requires no tools for installation or removal. Use of the lens creates a smoother illumination of the tapelight and reduces overall glare.

### Cutting

The cutting of the aluminum extrusion and lens can be performed using common rotating blades or shears when cutting the lens. It is common practice to remove all burrs or rough edges following any cutting work using an abrasive materials such as sandpaper. Be sure to allow an extra 0.5" of airgap to each end of the tapelight when measuring the cut length of the channel and lens.

### Installation

JFX SLCH installs using provided mounting clips and screw hardware. Mounting clips are constructed of stainless steel. The mounting screw size is #3. It is recommended to install the mounting clips 6 inches from the end of the channel.

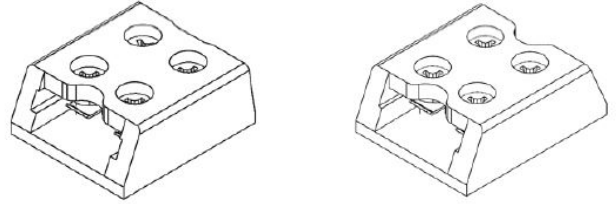
### Warranty

5-year limited warranty. This is the only warranty provided and no other statements in this specification sheet create any warranty of any kind. All other express and implied warranties are disclaimed. Complete warranty terms located at: [www.acuitybrands.com/support/warranty/terms-and-conditions](http://www.acuitybrands.com/support/warranty/terms-and-conditions)

**Note:** Actual performance may differ as a result of end-user environment and application.

All values are design or typical values, measured under laboratory conditions at 25 °C.

Specifications subject to change without notice.



**JFX Connectors Specifications**

**Construction**

Link multiple lengths of tapelight together using the the tape-to-tape or tape-to-wire terminal blocks. Constructed of a polycarbonate for durability. Transparent in color to minimize shadowing. Connections made using a screw actuated clamp for robust connections between tape and wire.

**Installation**

The connectors are sized to fit within the JFX SLCH channel. All JFX tapelight, excluding RGBW and WL tapelight are compatible with the connectors. When using tape-to-wire connectors, be sure to note polarity of wire when mating to the tapelight. Only wire gauge 16-20 are accepted (solid wire from 18-20 gauge is recommended). Drive screws using philips screwdriver to make secure connections to tapelight or wire. See installation instructions for more information.

**Warranty**

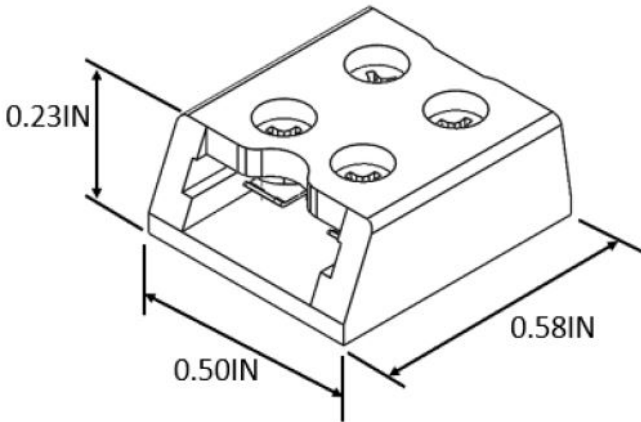
5-year limited warranty. This is the only warranty provided and no other statements in this specification sheet create any warranty of any kind. All other express and implied warranties are disclaimed. Complete warranty terms located at: [www.acuitybrands.com/support/warranty/terms-and-conditions](http://www.acuitybrands.com/support/warranty/terms-and-conditions)

**Note:** Actual performance may differ as a result of end-user environment and application.

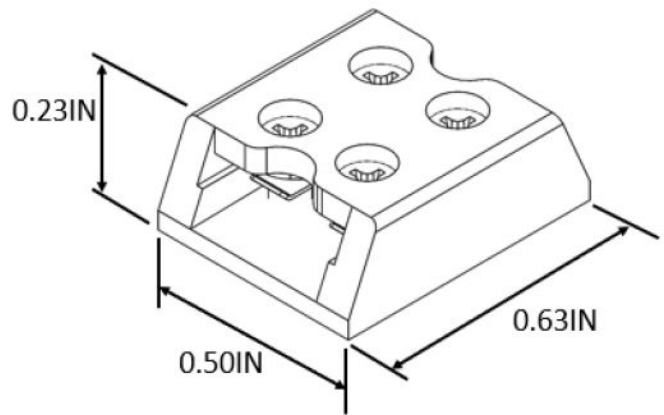
All values are design or typical values, measured under laboratory conditions at 25 °C.

Specifications subject to change without notice.

**JFX CNT: Static Tapelight to Wire Connector**



**JFX CNT: Static Tapelight to Tapelight Connector**



**RGBW Connector Chart**

JFX RGBW CNT TTEE	RGBW Connector Tape-To-Tape and End-To-End
JFX RGBW CNT TTEX	RGBW Connector Tape-To-Tape, 6IN Jumper Cable
JFX RGBW CNT TWEX	RGBW Connector Tape-To-Wire, 6IN Leader Cable

**JFX RGBW CNT TTEX**



**JFX RGBW CNT TWEX**



**JFX RGBW CNT TTEE**

