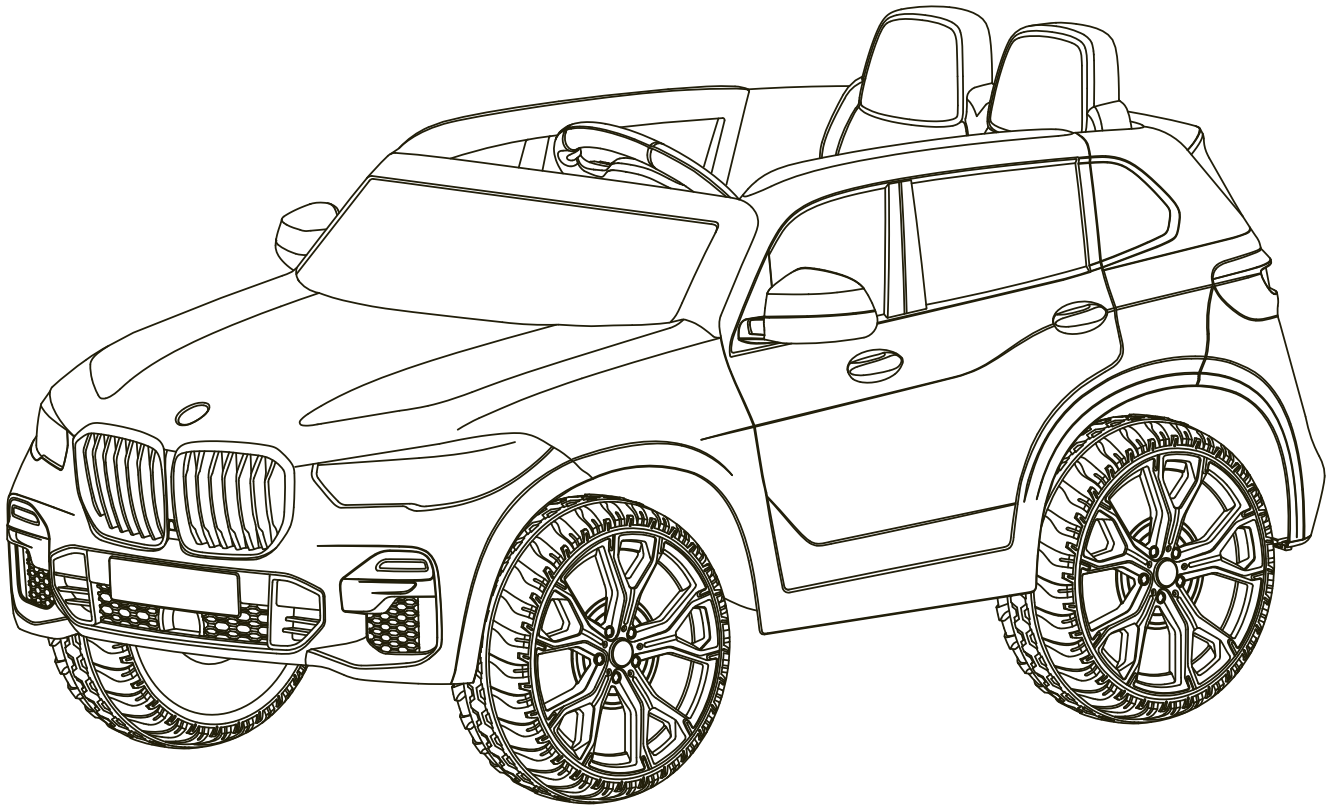




BMW X5 M 6V



Owner's Manual and Assembly Instructions

Model #: W491-B-WH

Read and understand the entire manual before assembly and operation. The vehicle must be assembled by an adult who has read and understands the instructions.

Made in China.

Styles and colors may vary. Do not return your product to the store, contact Rollplay with questions. Email customerservice@rollplay.com for assistance and replacement parts.

IMPORTANT:

Save this manual with your sales receipt.

Introduction

Thank you for purchasing this Rollplay vehicle. We hope the rider enjoys it for miles to come. Please read this instruction guide carefully before assembling and operating the vehicle.

Please contact Rollplay Customer Service with any questions. Have your model number and serial number ready before calling. Please provide proof of purchase.

Keep your sales receipt and register your product at www.rollplay.com.

Hours: 8 AM - 5 PM EST, Monday - Friday

Phone: 1-888-982-9309

Email: customerservice@rollplay.com

Web: www.rollplay.com

Specifications:

BATTERY	6V 7AH
MOTOR	6V 15W
AGE	3 and up
MAX WEIGHT	35 kg (77 lb)
PRODUCT SIZE	45.3 x 25.9 x 23.8 in (115 x 66 x 60.5 cm)
SPEED	4 km/h (2.5 mph)
RECHARGE TIME	8-12 Hours
TYPICAL RUN TIME	1-2 Hours
CHARGER OUTPUT	DC 7.0V 0.7A

IMPORTANT!

YOU MUST CHARGE THE BATTERY FOR 24 HOURS (NO MORE THAN 30 HOURS) BEFORE FIRST USE!

Charge the battery after each use.

Charge the battery at least once a month, even if the vehicle is not in use.

DO NOT RETURN YOUR PRODUCT TO THE STORE.
CONTACT ROLLPLAY WITH QUESTIONS.

E-mail Customer Service if you need assistance or replacement parts. Please have your model number and serial number ready before calling. Please provide proof of purchase. Keep your sales receipt and register your product at www.rollplay.com, as we require proof of purchase.

customerservice@rollplay.com

Read this entire manual prior to assembly to ensure safe operation of the vehicle.

4 Table of Contents

Safety	5
Parts	7
Charging Instructions	8
Assemble the Front Wheels	9
Assemble the Left Rear Wheel	10
Assemble the Right Rear Wheel	11
Assemble the rear spoiler	12
Assemble the door	13
Attach the steering wheel	14
Assemble the windshield	15
Assemble the wing mirror	16
Installing batteries in steering wheel	17
Door Operation	18
Operating Instructions	19
Battery Maintenance	20
General Care	21
Troubleshooting Guide	22
FCC Information	24
Service and Repairs	25
Warranty	26
Product Registration	27



WARNING: SAFETY RIDING RULES

The user must follow all safety rules and guidelines or serious injury or death may occur.

NEVER LEAVE CHILD UNATTENDED. ALWAYS keep child in view when child is in the vehicle. Direct adult supervision is **REQUIRED**.

- **ALWAYS** use common sense and safe practices when using the vehicle. The user must be at least 3 years old and weigh no more than 77 lb (35 kg).
- This product contains small parts that are for adult assembly only. Keep small children away when assembling. Remove and dispose of all protective material and plastic bags before assembly.
- Riders must always wear a fitted helmet that complies with U.S. Consumer Product Safety Commission (CPSC) Standard 16 CFR 1203.
- Only sit on the seat in the vehicle.
- Do not allow more than one rider.
- Do not overload the vehicle. Do not remove the weight restriction decals.
- Do not tow the vehicle with another vehicle or similar device.
- Keep body parts, such as hands, legs and hair, and clothing away from moving parts. Moving parts can cause serious injury.
- **ALWAYS** wear shoes while using the vehicle.
- **NEVER** operate near roadways or motor vehicles.
- Do not operate near drop-offs, such as steps, steep inclines or hills. Operate on relatively level ground.
- Do not operate near water, swimming pools or other bodies of water.
- Do not operate in dangerous weather conditions such as rain or snow.
- Do not operate near loose dirt, mud, sand or fine gravel.
- Always use the vehicle in a safe, secure environment with adult supervision.

RISK OF FIRE. Do not operate near flammable vapors (gasoline, paint thinner, acetone, etc.). Remove batteries if product is to be left unused for a long time. Do not bypass. Replace only with supplied 6V battery, charger and circuitry. Always replace the whole set of batteries at one time, taking care not to mix old and new batteries, or batteries of different types.

6 Safety *(Continued)*

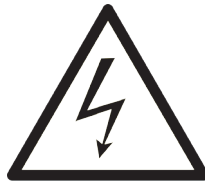
WARNING: BATTERY SAFETY

- Battery posts, terminals and related accessories contain lead and lead components. DO NOT open the battery.

PROPOSITION 65 WARNING: Battery posts, terminals and related accessories contain lead and lead compounds, chemicals known to the State of California to cause cancer and reproductive harm. Batteries also contain other chemicals known to the State of California to cause cancer. WASH HANDS AFTER HANDLING.



- Contact exposure to battery leakage (lead acid) may cause serious injury. Immediately contact your doctor if exposure occurs. If the chemical is on the skin, flush immediately with cool water for 15 minutes. If the chemical is swallowed, immediately give the person water or milk. Do not give water or milk if the person is vomiting or has decreased alertness. Do not induce vomiting.

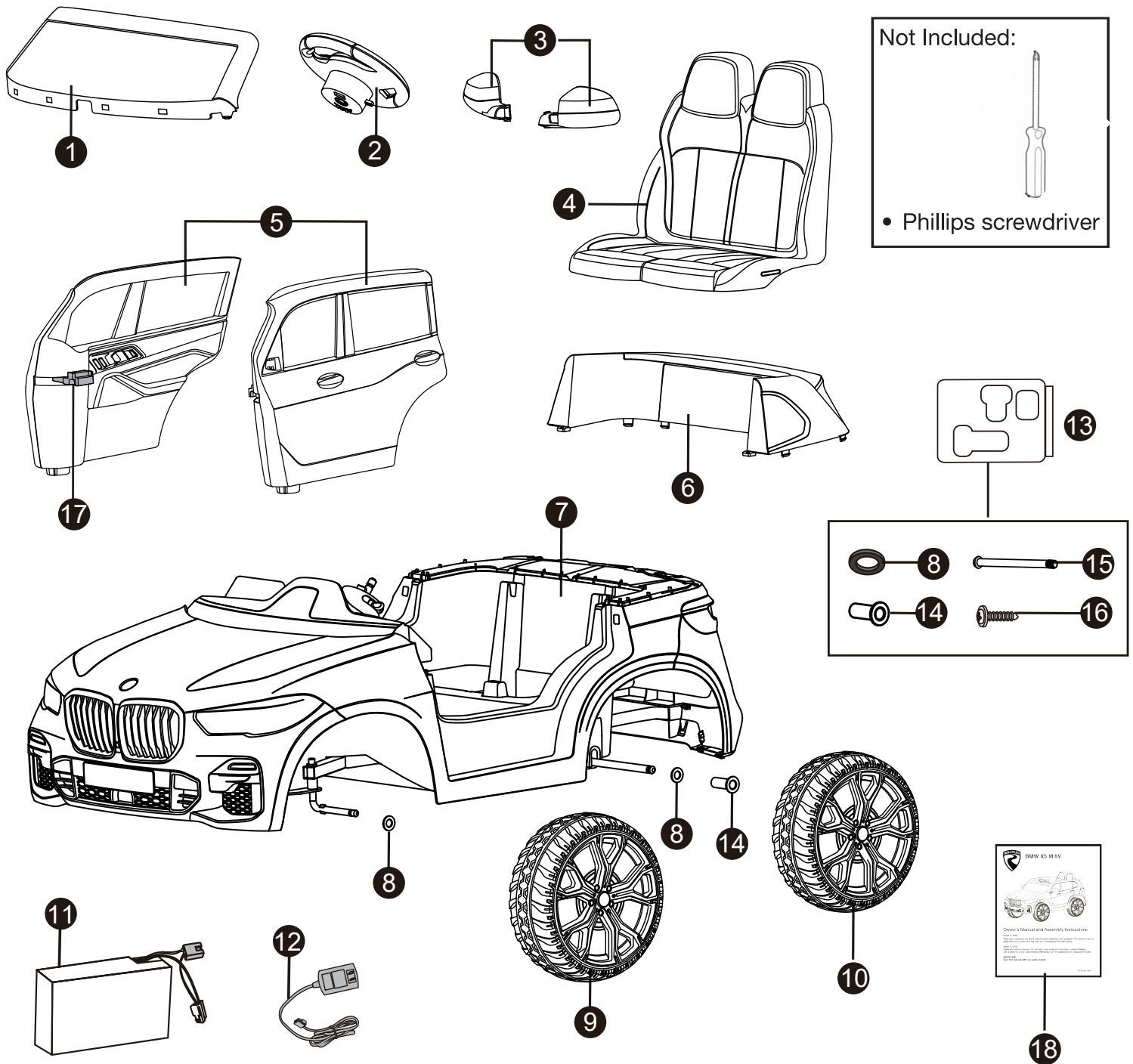


- Tampering with or modifying the electric circuit system may cause shock, fire or explosion. It could permanently damage the system. Keep the charger housing closed to prevent exposed wiring, which may cause electric shock.

IMPORTANT: Before using the vehicle for the first time, the battery must be charged for a full 24 hours (no more than 30 hours).

WARNING: ADULT SUPERVISION REQUIRED

- Before using the vehicle, the rider must understand the vehicle controls and safety issues.
- It is the responsibility of the adult to educate the child and to determine if the child is capable of understanding the vehicle controls.
- An adult must ALWAYS directly supervise the use of this vehicle.
- NEVER leave a child unsupervised in the vehicle.



- 1. Windshield
- 2. Steering wheel
- 3. Mirrors (2)
- 4. Seat
- 5. Doors (2)
- 6. Rear spoiler

- 7. Car body
- 8. Washers (4)
- 9. Front wheels (2)
- 10. Rear wheels (2)
- 11. Battery
- 12. Charger

- 13. Blister box
- 14. Rear wheel orientation rod
- 15. Door Screw (2)
- 16. Screw
- 17. Door Connector
- 18. Manual

NOTE: There may be extra hardware included for your convenience.

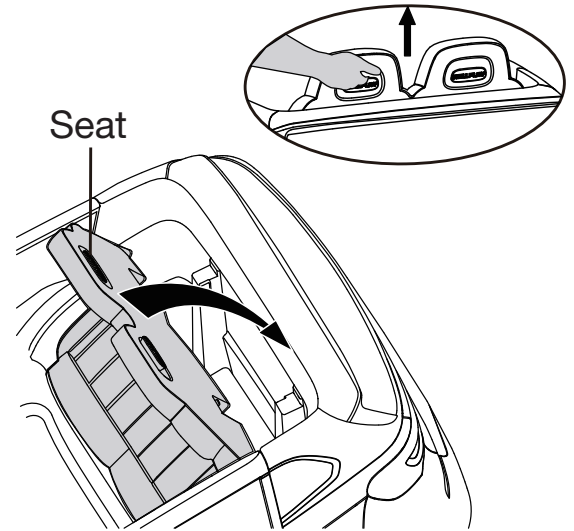
8 Charging Instructions

YOU MUST CHARGE THE BATTERY FOR 24 HOURS (NO MORE THAN 30 HOURS) BEFORE THE FIRST USE!

ONLY AN ADULT SHOULD HANDLE THE BATTERY AND CHARGER.

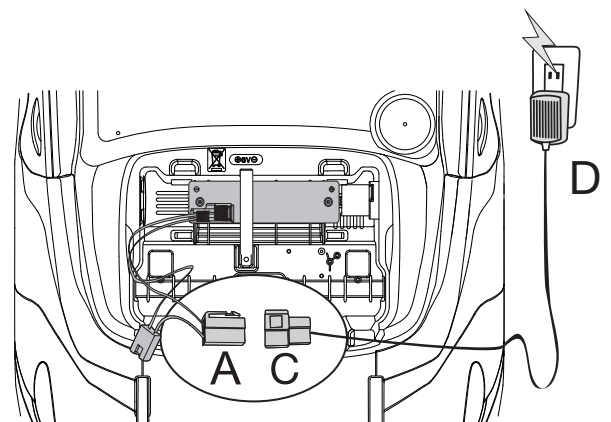
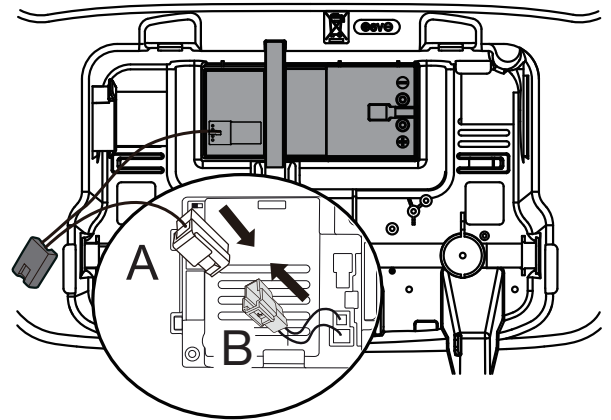
To Charge the Battery:

1. Ensure the car is stopped and the power switch is turned off.
2. Press the seat unlock button on the Seat. Lift up and remove the seat.
3. Unplug the red battery connector (A) from the red engine connector (B).
4. Connect the red battery connector (A) to the red battery charger connector (C) and plug (D) into a 120 V outlet.



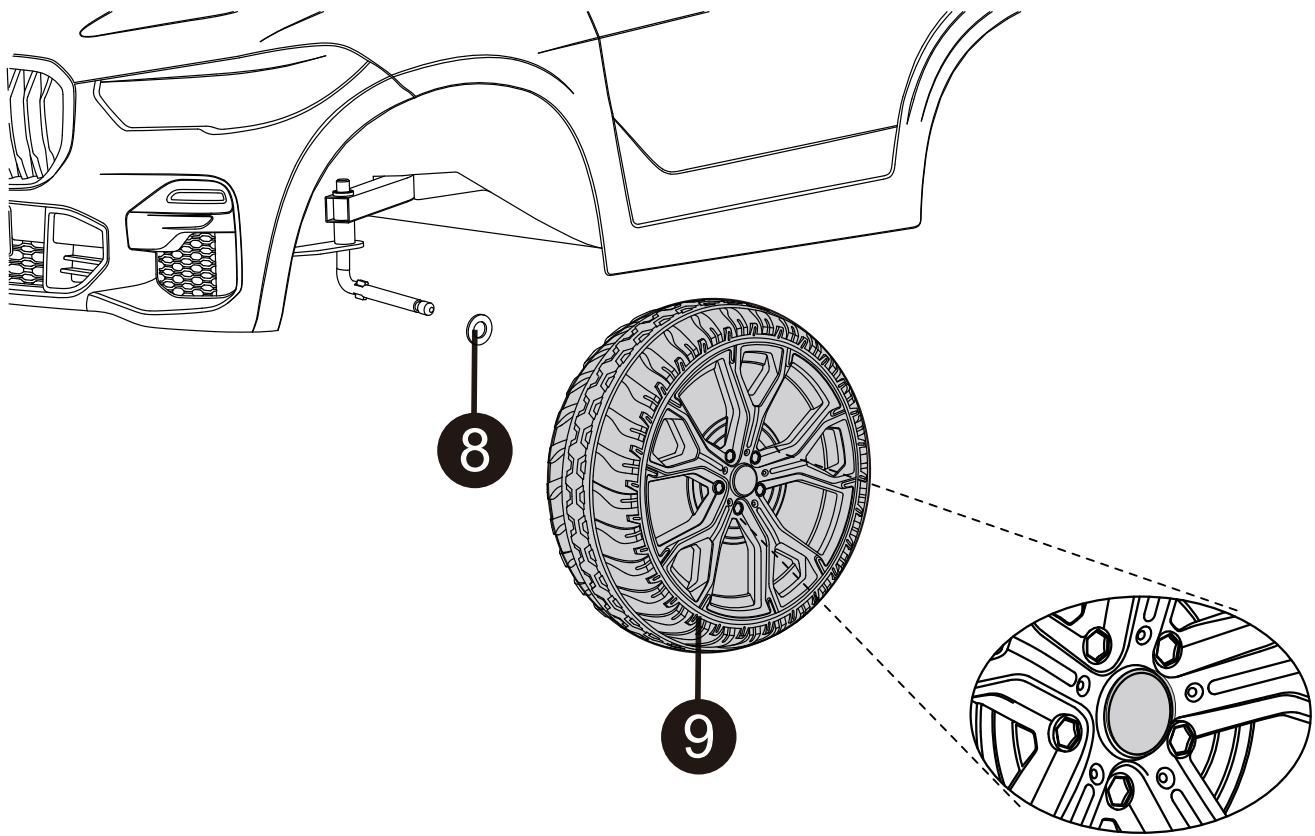
To Unplug the Battery:

1. Unplug the battery charger (D) from the outlet.
2. Unplug the red battery connector (A) from the red battery charger connector (C).
3. Reconnect the red battery connector (A) to the red engine connector (B).
4. Replace the seat and tighten lock.



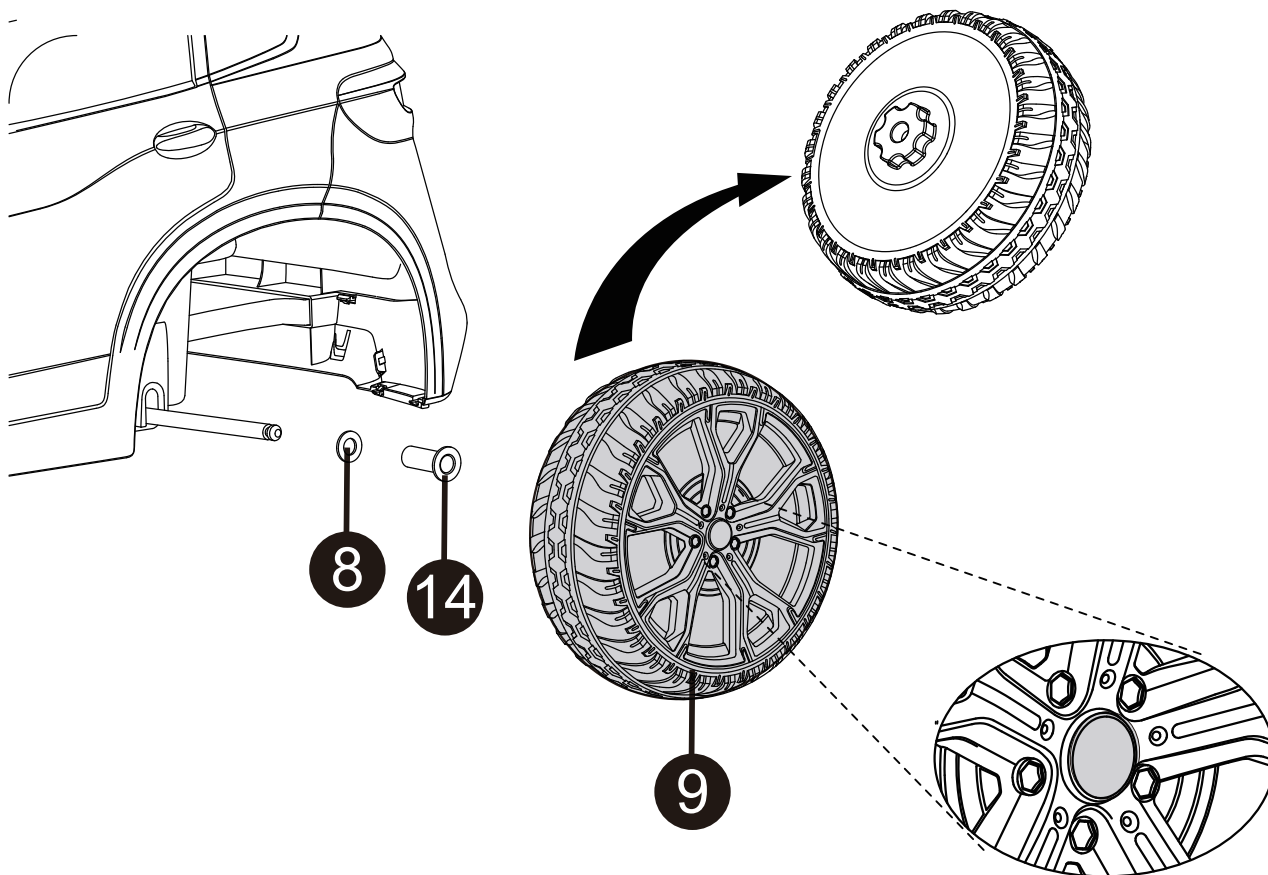
Note: It is not necessary to remove the battery for charging. However, if the battery does not reach the outlet, it can be removed for charging.

To remove the battery, unscrew the black battery clamp, disconnect the battery, and remove the battery.



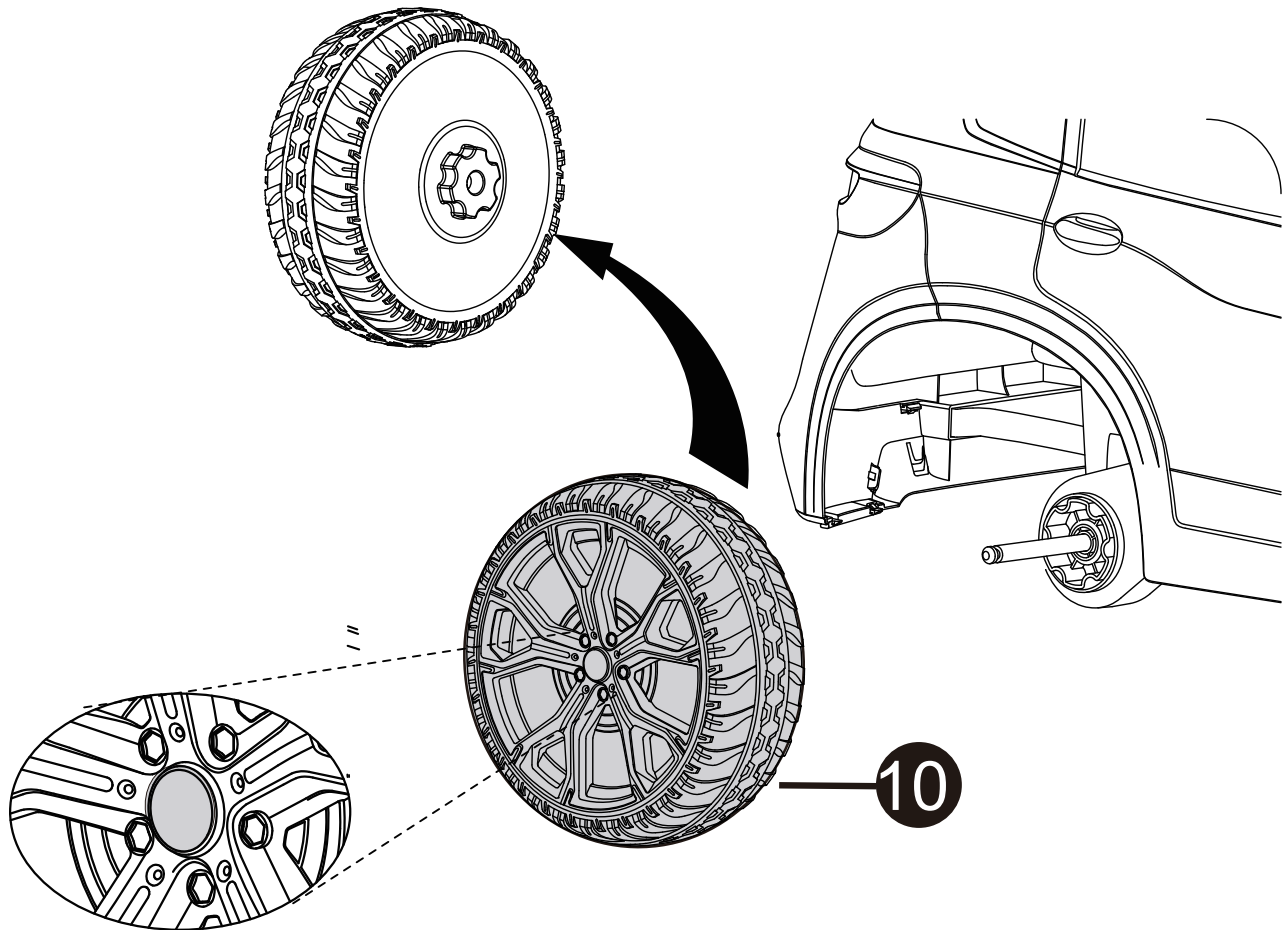
Assemble the front wheels:

Place the washer (8) on to the front axle and then slide the front wheel (9) into position. Push on the center of the wheel and lock into place. Check that the wheel is correctly positioned by gently pulling it to ensure that it is secured to the axle.



Assemble the Left Rear Wheel:

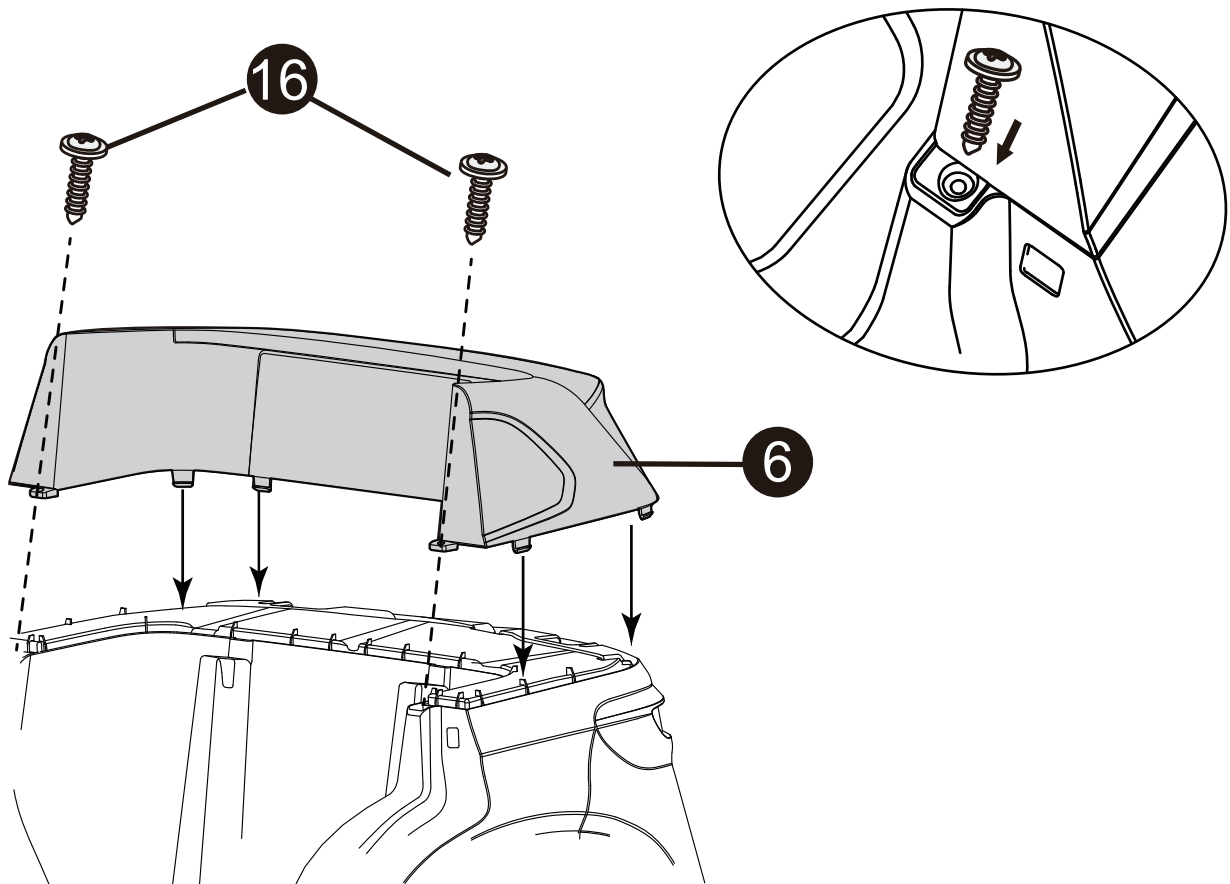
Place the washer (8) and rear wheel orientation rod (14) on to the rear left axle. Slide the wheel (9) into position, ensuring the side with the gear convex is facing inward. Push on the center of the wheel and lock into place. Check that the wheel is correctly positioned by gently pulling it to ensure that it is secured to the axle.



Assemble the Right Rear Wheel:

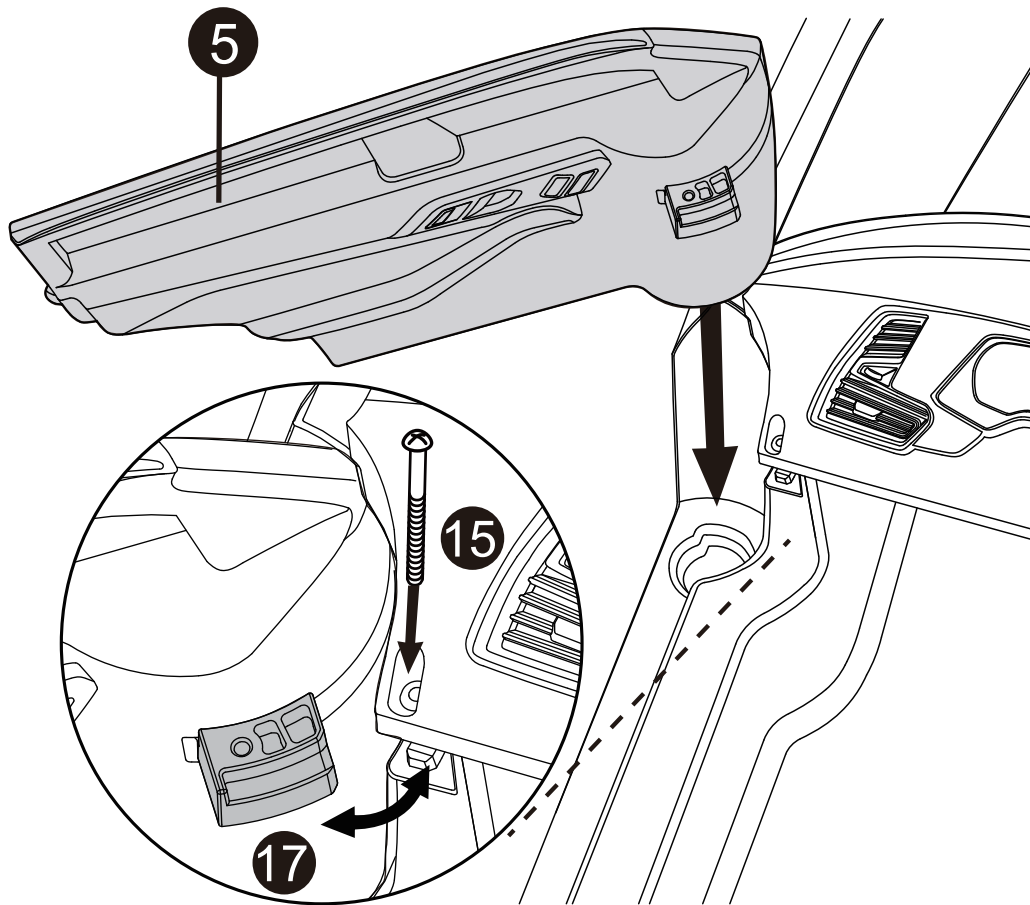
Slide the rear wheel (10) into position on the rear right axle, ensuring the side with the gear convex is facing inwards. Align the gear teeth on the wheel with the grooves on the gear box. Push on the center of the wheel and lock into place. Check that the wheel is correctly positioned by gently pulling it to ensure that it is secured to the axle.

12 Assemble the rear spoiler



Assemble the rear spoiler:

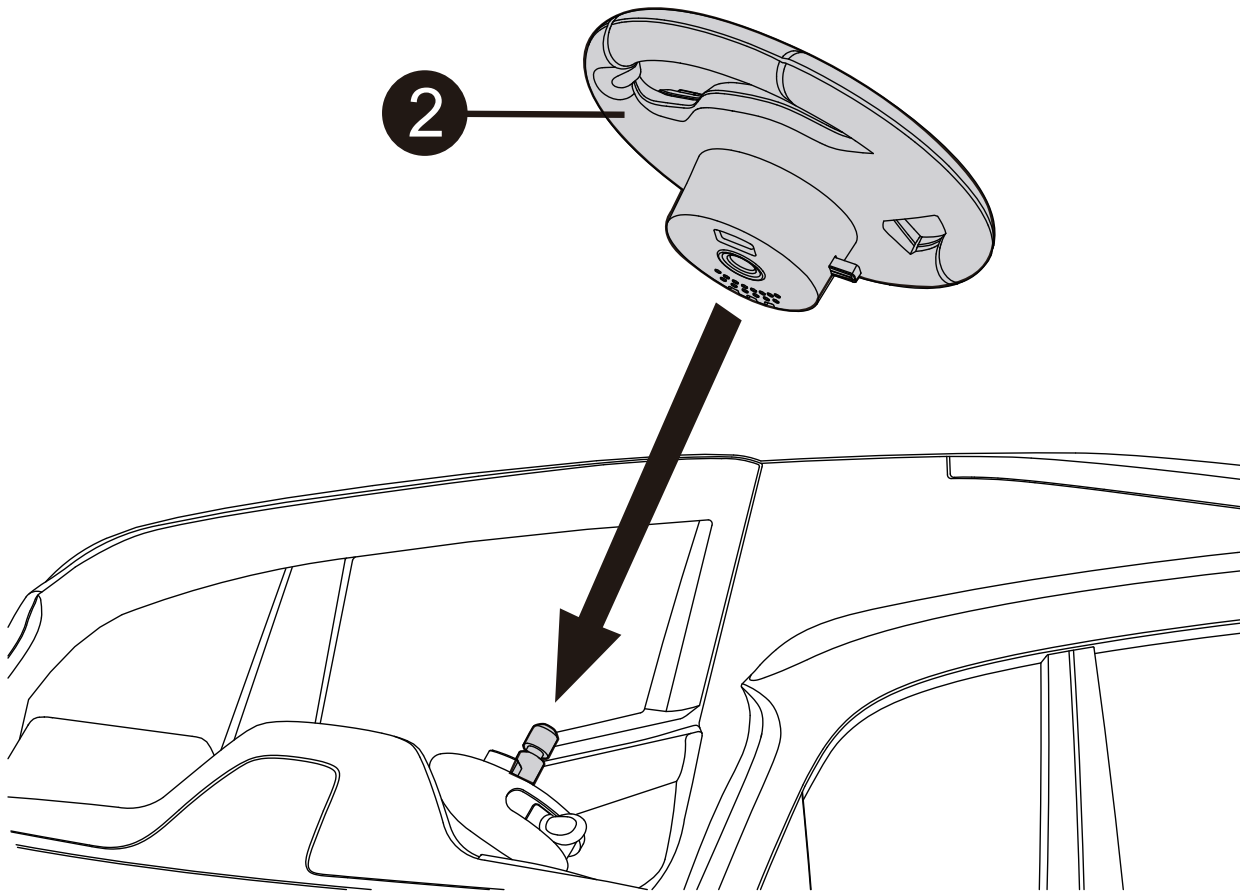
Align the clips of the rear spoiler into the slot of car body, press down the rear spoiler firmly until you hear the click to complete the assembly. Finally, as shown in the figure tighten with two screws on the left and right of the rear spoiler.



Assemble the door:

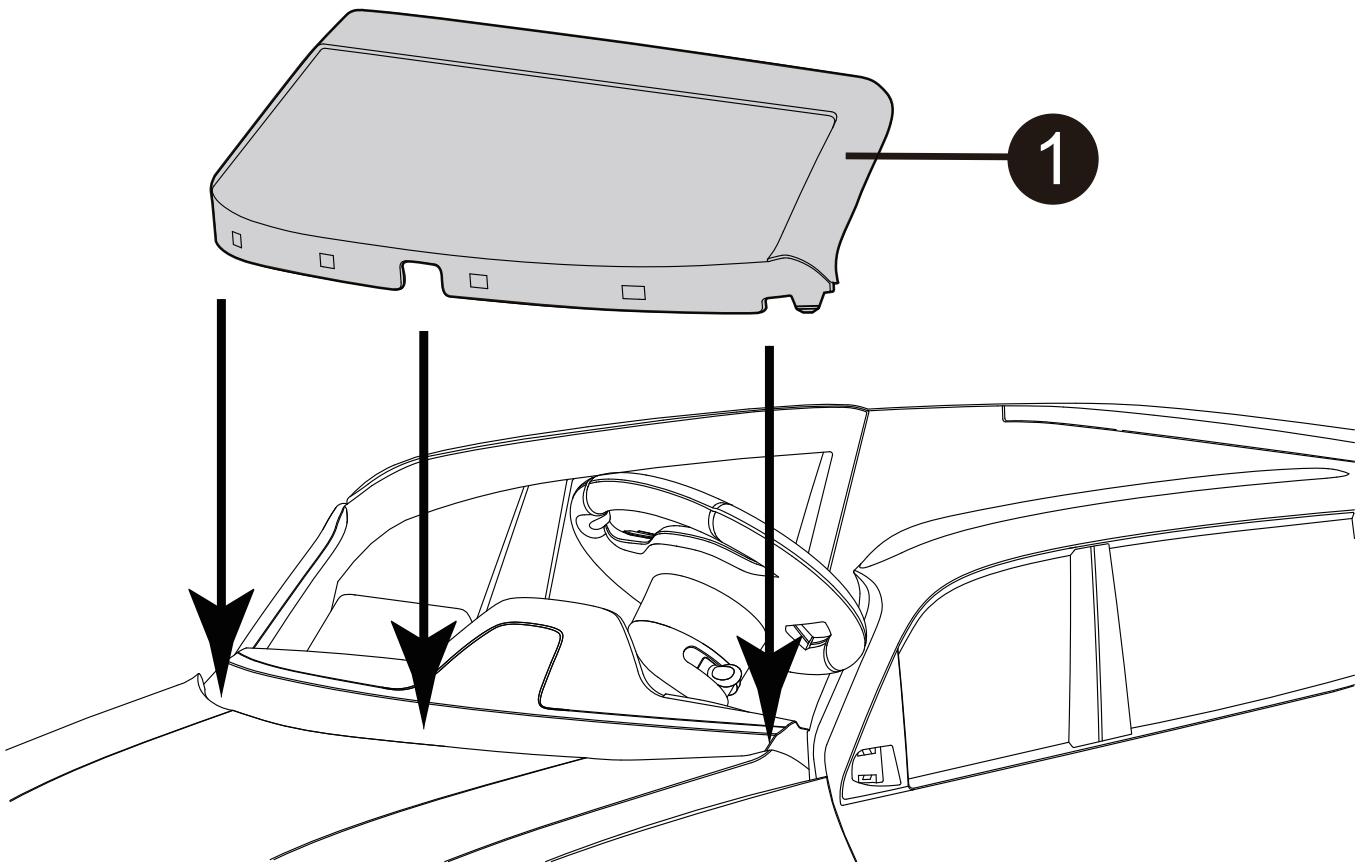
As shown in the figure, place the door (5) on the car body and rotate the door connector to align the holes, then tighten with the door screw (15). Install the other side door in the same way.

14 Assemble the steering wheel



Assemble the steering wheel:

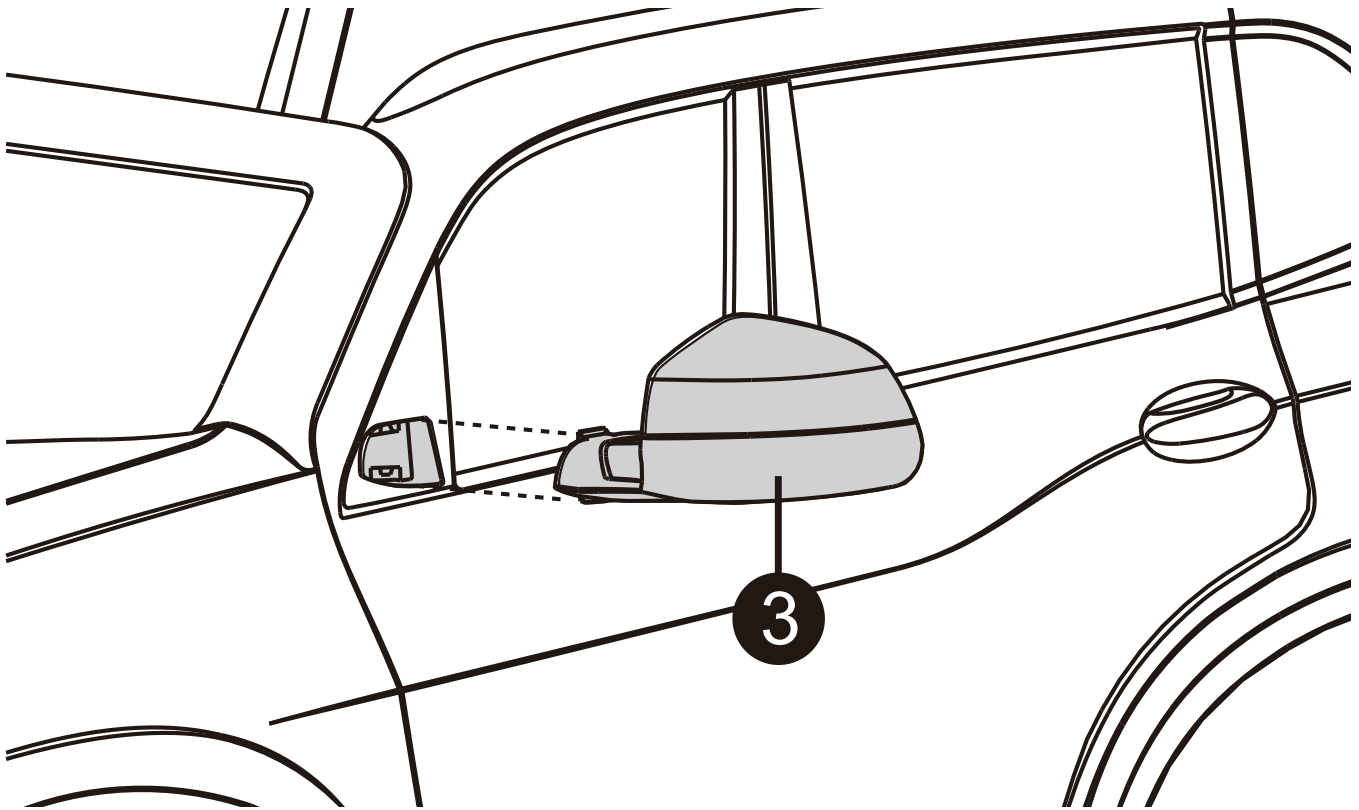
Align and insert the hole on the bottom of the steering wheel (2) onto the steering rod. A clicking sound will signal that it is locked into place and assembly is complete.



Assemble the windshield:

Align the windshield with the slots between the dashboard and the body. Push lightly on the windshield (1) until it clicks into place.

16 Assemble the wing mirror

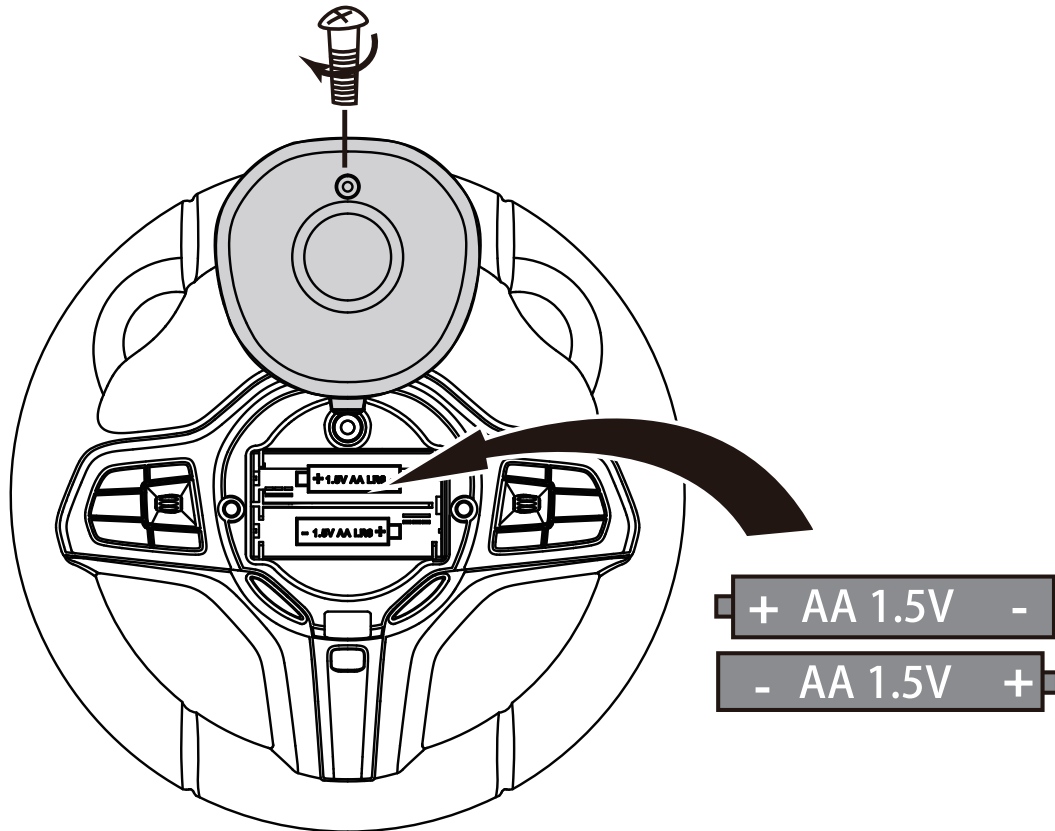


Assemble the wing mirror:

Please note that the left and right mirrors are different.

Insert the wing mirror (3) into the slot of the door, pressing until you hear the click sound.

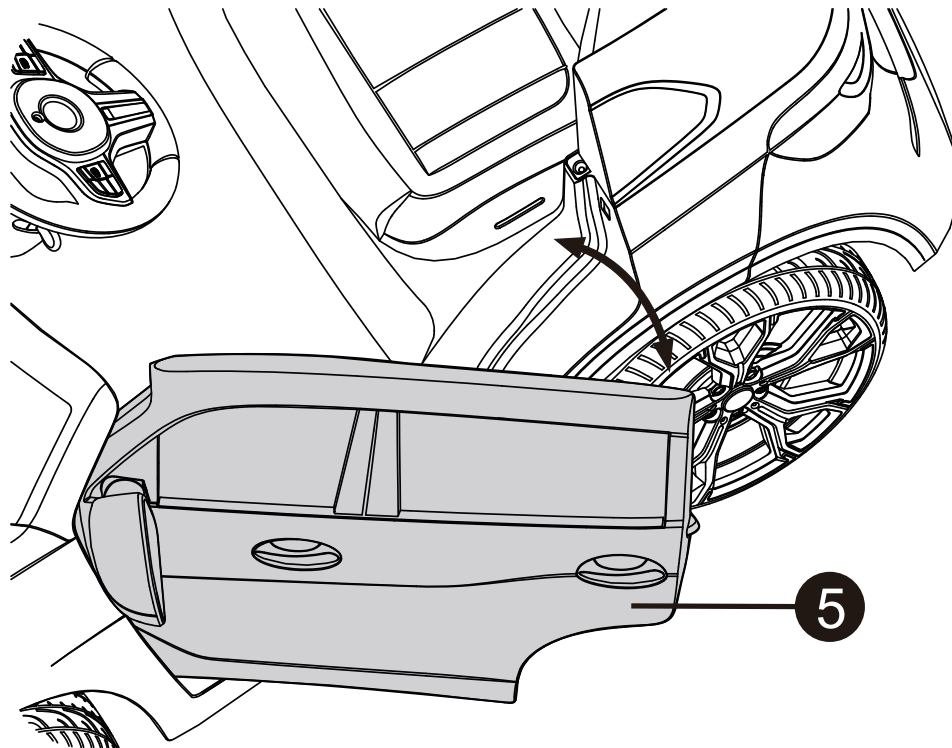
Installing batteries in steering wheel 17



Installing batteries in steering wheel:

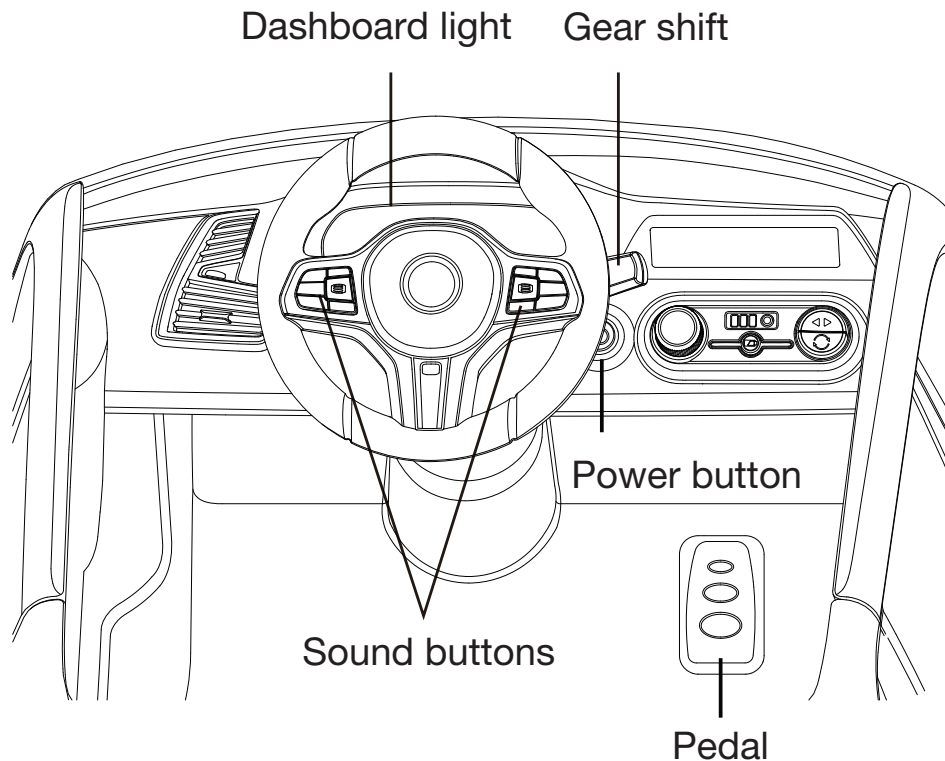
Using a screwdriver (not included), open the battery cover. Install (2) 1.5V AA Batteries (not included) into the openings with correct polarity. Replace the battery cover and tighten screw.

18 Door Operation



Door Operation:

Once assembled, pull door to open. Push to close.



Forward and Reverse:

Press the power button to illuminate dashboard lights. Move the gear shift to the forward position. The car will move forward, with the front lights working, when the accelerator pedal is depressed. The car will stop when the accelerator pedal is released. To reverse, move the gear shift to the reverse position and depress the accelerator pedal.

Steering Wheel Functions:

The steering wheel's functions include realistic sound effects. Press the buttons, located on the left and right sides inside the frame of the steering wheel, for horn and engine sounds.

20 Battery Maintenance

Important Battery and Charger Information

- Only an adult who has read and understands the safety warnings may handle and operate the battery and battery charger. Keep away from children.
- Charge the battery for 24 hours before using the vehicle **for the first time**. Do not charge for more than 30 hours.
- Recharge the battery immediately **after each use**. Charge for at least 8-12 hours, but no more than 20 hours.
- Charge the battery at least once a month, even if the vehicle is not used or stored.
- Never leave the battery in a discharged condition.
- Connect the terminal of the battery and charger, then plug the charger into a 120V AC outlet.
- It is normal for the charger to heat slightly. If the charger rises above 71°C / 160°F, disconnect the charger and call Customer Service for assistance.
- Keep the charger away from water or excessive moisture to prevent short-circuiting.
- Only use the charger specified with the original item. **Do not charge the battery with any other charger.**
- Do not attempt to recharge non-rechargeable batteries with the original charger.
- **Do not replace the battery with any other battery, or the warranty will be voided.** If you need a replacement battery, see Page 25 for replacement information.
- Remove damaged batteries from the car immediately. Recycle or dispose of the used batteries responsibly.
- Do not short circuit the supply terminals.
- Do not leave the battery connected in the vehicle for extended periods of time when the vehicle is not being used. Disconnect the battery connector from the engine connector before storing.
- The vehicle is equipped with a thermal fuse to protect the electric circuit. If the vehicle cuts out, turn the vehicle off and on to reset.

- Regularly inspect all vehicle parts to ensure they are in good working condition.
- Regularly inspect the charger, cord, plug, and other related parts for damage.
- Remove any damaged parts and immediately contact Customer Service for replacement parts. See Service and Repairs on Page 21 for more information.
- DO NOT operate the vehicle if there are any damaged parts.
- Carefully clean the vehicle with a damp cloth and mild soap. Do not get water in or near any electrical parts. Do not wash the vehicle with a hose.
- Store the vehicle indoors or use a tarp to cover it. Keep away from stoves, heaters, or other sources of heat.

22 Troubleshooting Guide

Completely read through the manual and troubleshooting guide before contacting Customer Service.

Problem	Potential Cause	Solution
Vehicle does not run	Battery is low	Recharge the battery
	Thermal fuse tripped	Contact Customer Service for instructions on how to reset the fuse
	Snap pins are loose	Tighten snap pins
	Loose wires or loose connectors	Ensure the battery connectors are securely attached. If wires are loose, contact Customer Service
	Battery is dead	Call Customer Service to order a replacement battery
	Electrical system is damaged	Contact Customer Service
	Motor is damaged	Contact Customer Service
Vehicle only runs for a short time	Undercharged battery	Ensure a secure connection when the battery is recharging. Recharge for at least 8-12 hours
	Overcharged battery	Never charge the battery for more than 30 hours
	Battery is old	Replace battery
Vehicle runs slowly	Battery is not fully charged	Ensure a secure connection when the battery is recharging
	Battery is old	Call Customer Service to order replacement battery
	Too much weight on vehicle	Reduce weight on vehicle (35 kg / 77 lb max)
	Harsh conditions	Operate the vehicle on level ground and safe surfaces

Problem	Potential Cause	Solution
Vehicle needs a push to start	Loose wires or loose connectors	Ensure the battery connectors are securely attached. If wires are loose, contact Customer Service
	“Dead spot” on motor	A “dead spot” means electricity is not being delivered to the terminal. Contact Customer Service
Difficulty shifting	Attempting to shift while vehicle is moving	Stop the vehicle before shifting
Motor or gear box making grinding noises	Motor or gear damage	Contact Customer Service
Battery will not recharge	Charger is not plugged in	Plug in the charger to a functional wall outlet
	Charger is not working	Call Customer Service for a replacement
	Loose connector or loose adapter	Check that the connectors are securely plugged in to each other
Battery makes bubbling noise while recharging	This is normal	No action required
Charger is warm	This is normal	No action required

24 FCC Information

This device complies with part 15 of the FCC Rules. Operation is subject to the following two conditions: (1) this device may not cause harmful interference, and (2) this device must accept any interference received, including interference that may cause undesired operation.

This equipment has been tested and found to comply with the limits for a Class B digital device, pursuant to Part 15 of the FCC Rules. These limits are designed to provide reasonable protection against harmful interference in a residential installation.

This equipment generates, uses and can radiate radio frequency energy and, if not installed and used in accordance with the instructions, may cause harmful interference to radio communications. However, there is no guarantee that interference will not occur in a particular installation. If this equipment does cause harmful interference to radio or television reception, which can be determined by turning the equipment off and on, the user is encouraged to try to correct the interference by one or more of the following measures:

- Reorient or relocate the receiving antenna.
- Increase the distance between the equipment and the receiver.
- Consult dealer or an experienced radio/TV technician for help.
- Connect the equipment into an outlet on a circuit different from that to which the receiver is connected.
- Check the state or local requirements for the product before using the product.

Caution: Changes or modifications not expressly approved by the party responsible for compliance could void the user's authority to operate the equipment.

Do not return your product to the store.

Contact Rollplay with questions.

If your product requires replacement parts, please contact Rollplay Customer Service.

Hours: 8 AM - 5 PM EST, Monday - Friday

Phone: 1-888-982-9309

Email: customerservice@rollplay.com

Web: www.rollplay.com

For a list of available replacement parts, please visit www.rollplay.com.

WE WILL REQUIRE PROOF OF PURCHASE. Please save your sales receipt or register your product at www.rollplay.com.

Rollplay 6-Volt Limited Warranty

- One-year limited warranty (vehicle only) from the date of purchase with proof of purchase from a Rollplay certified retailer. This one-year limited warranty covers the ride-on vehicle against defects in materials and workmanship to the original purchaser. **Proof of purchase receipt from a Rollplay certified retailer is required. The 6-Volt battery is not included in the one-year limited warranty.**
- Six-month limited warranty on the 6-Volt battery with proof of purchase from a Rollplay certified retailer. Rollplay ensures the original 6-Volt battery is warranted for 6 months from initial purchase of the vehicle from a certified retailer. **Proof of purchase receipt required.**
- This warranty covers normal use and does not cover the Rollplay vehicle or battery if deemed damaged by unreasonable use, modification, neglect, accident, abuse, misuse, improper service or other causes not arising out of defects in materials or workmanship. Evidence of any attempt at customer repair will void this warranty.
- This warranty does not cover, and is not intended to exclude any liability on the part of Rollplay, whether under this warranty or implied by law for any indirect or consequential damages for breach of warranty. Some states may not allow the exclusion or limitation so this limitation may not apply to you.

Should you need service or assistance with your vehicle during the warranty period:

- Please do not return vehicle to the store.
- Consult the troubleshooting guide in this manual and online at www.rollplay.com
- Call Rollplay Customer Service at 1-888-982-9309

Note: This warranty gives you specific legal rights. You may also have other rights that may vary from state to state.

Please save your original sales receipt.

Fill out the form below and mail it to:

Rollplay
Attn: ParentLink
1801 Commerce Dr
Piqua, OH 45356

OR fill out the form online at www.rollplay.com

We will use the information provided only for your warranty. We will not sell, rent or share your personal information.

Product Registration

First Name: _____ Last Name: _____ Title: _____

Address: _____

City: _____ State: _____ Zip Code: _____

Email: _____ Phone: _____

Date of Purchase: _____

The following product information is on the cover of the owner's manual.

Product Name: _____ Model Number: _____

Serial Number: _____ Retailer Place of Purchase: _____

