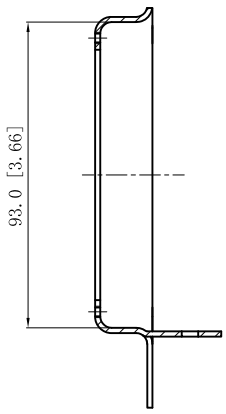
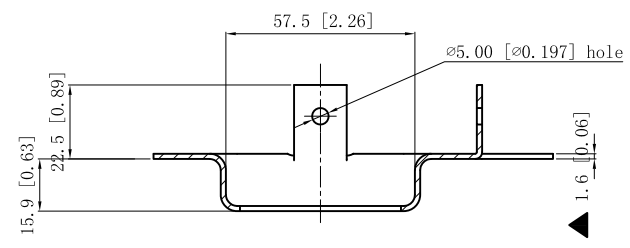
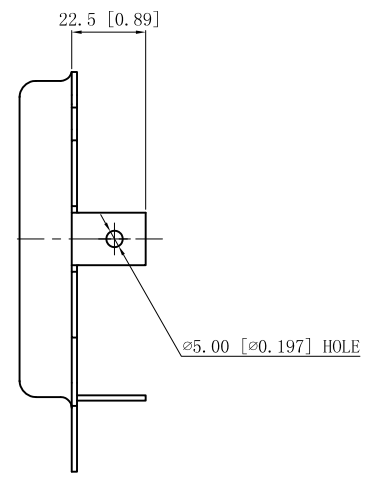
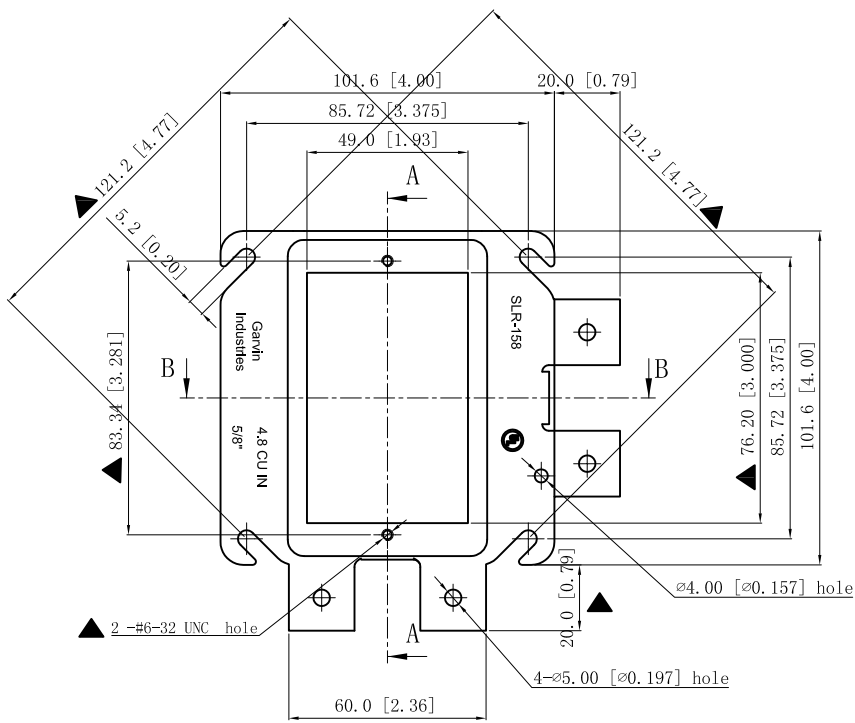


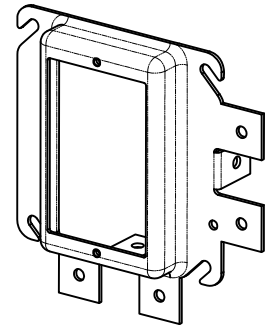
| | |
|---|--------|
| SIDES | BOTTOM |
| | |
| | |
| Material: Steel-0.0625"-(G60 or C.R.S) Galvanized | |



CUTAWAY VIEW A-A



CUTAWAY VIEW B-B



This data sheet is for reference only .GARVIN INDUSTRIES reserves the right to make changes to the design without prior notice.

| |
|-----------------------|
| DESCRIPTION |
| |
| TRADE REFERENCE TERMS |
| |

| |
|------------------|
| STANDARD PACKING |
| 25 PCS |

| | | | | |
|-------|---------|------------|--------------------------------------|-----|
| TITLE | | | GARVIN INDUSTRIES | |
| TITLE | | | 4" SQUARE SELF-LEVELING DEVICE RINGS | |
| SIZE | DWG NO. | SLR-158 | | REV |
| A4 | | DATA SHEET | | A |