






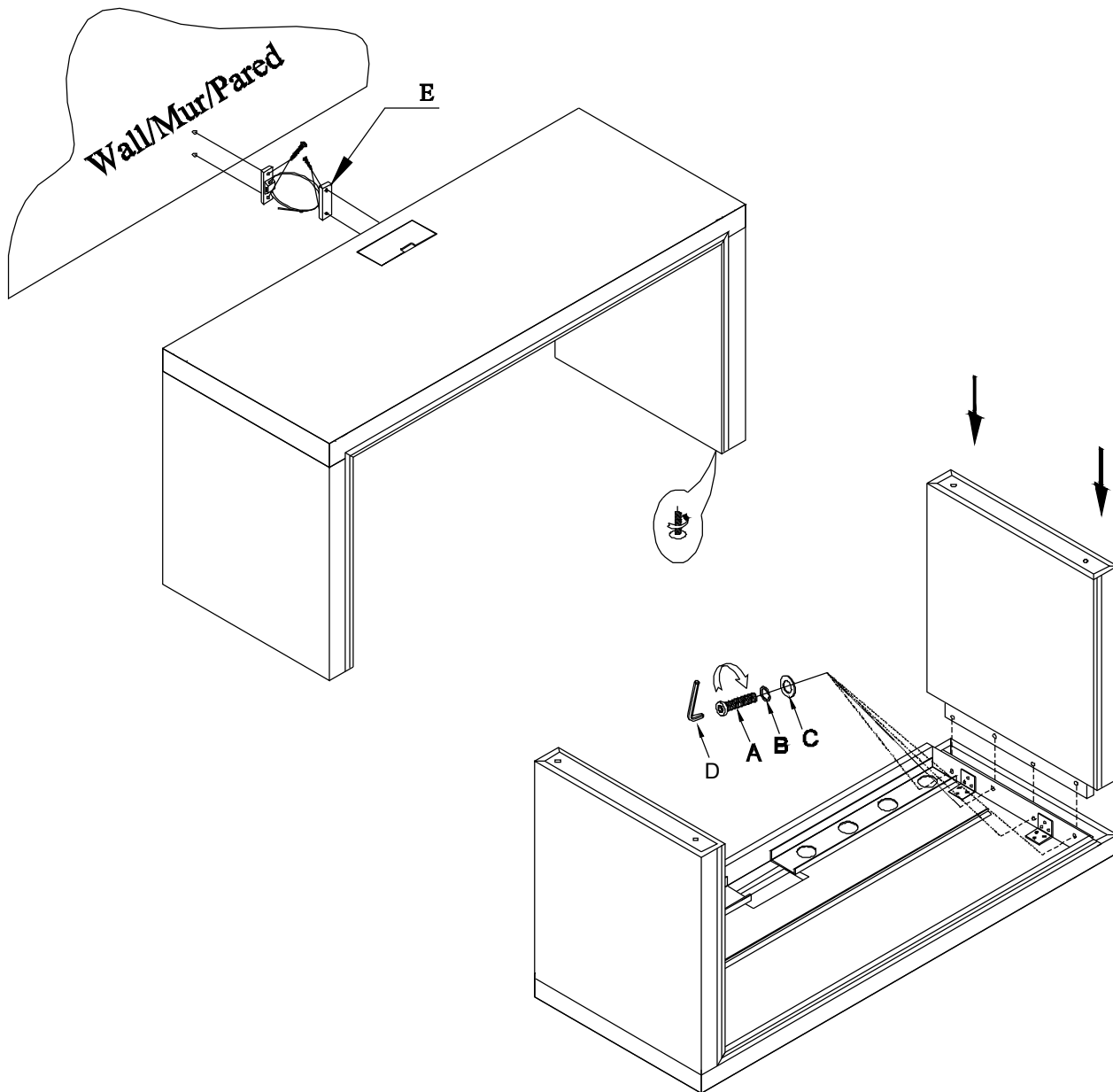
Item: 5892-10460-85 House Blend 60in Writing Desk

Thank you for purchasing this quality product. Be sure to unpack carefully looking for small parts which may have come loose during shipment.

Read all instruction and study the drawing carefully before starting the assembly process:

HARDWARE PACK

NO	DRAWING	DESCRIPTION	SIZE	Q'TY
A		BOLT	$\Phi 5/16" \times 1-1/2"$	8PCS
B		LOCK WASHER	$\Phi 5/16" \times 12 \times 3$	8PCS
C		FLAT WASHER	$\Phi 5/16" \times 19 \times 2$	8PCS
D		ALLEN WRENCH	5MM	1PC
E		ANTI TIP HARDWARE PACK		1SET



Adjust levelers if needed, to level case on uneven floor