

Features

- Lever handle style option

Material

- Brass

Installation

- For 8" (203 mm) centers

Required Products/Accessories

K-302-K 1/2" Ceramic In-Wall Valve System

Optional Products/Accessories

56373 Deep Rough-in Kit



Codes/Standards

ASME A112.18.1/CSA B125.1

NOM Standards

NOM 012-CONAGUA

KOHLER[®] Faucet Lifetime Limited Warranty

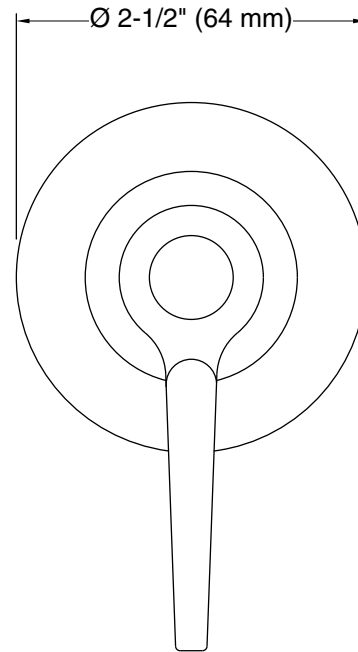
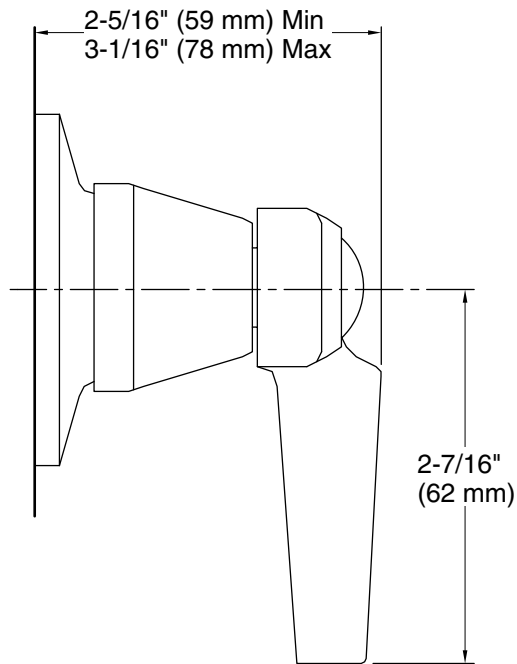
See website for detailed warranty information.

Available Colors/Finishes

Color tiles intended for reference only.

Color	Code	Description
-------	------	-------------

	CP	Polished Chrome
---	----	-----------------



Technical Information

All product dimensions are nominal.

Spout:

Notes

Install this product according to the installation instructions.