

**MADE IN
AMERICA**
OF U.S. AND IMPORTED PARTS

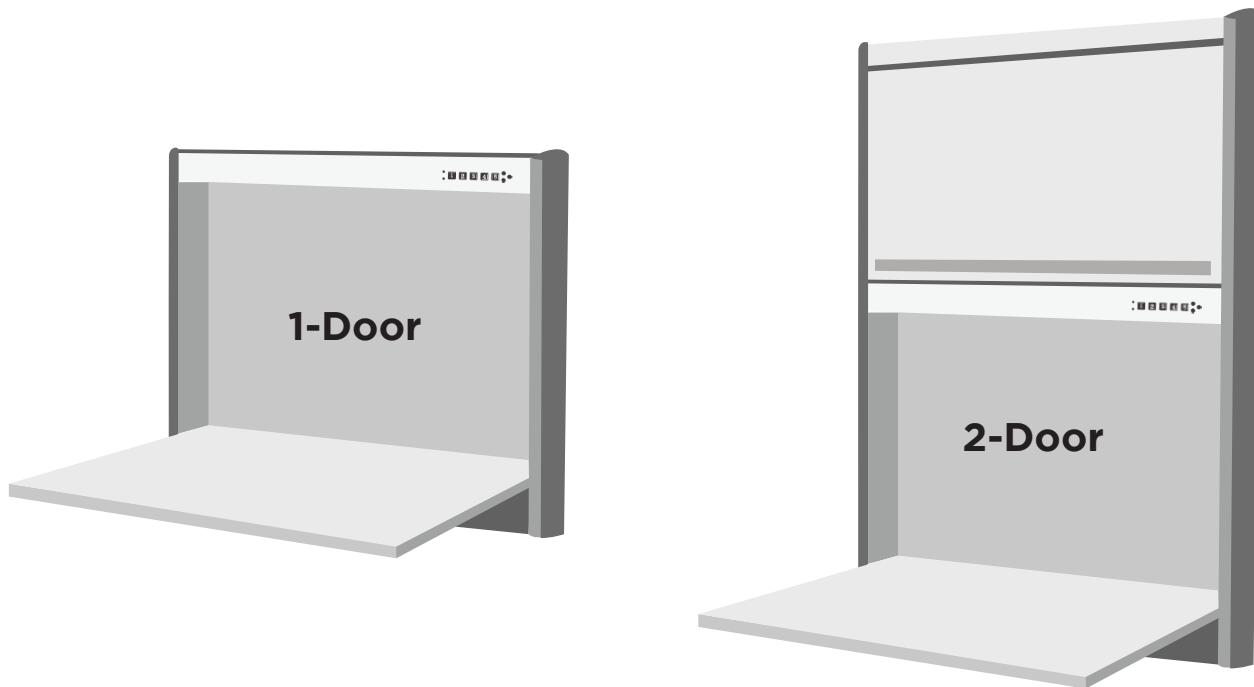
carstens®

WALLAroo

User Manual

For WALLAroo Model Series:

4650 6650 53200 4640 51250 51256 53300
6610 6670 53250 6680 6690 6600



For use with Wallaroo Wall-Mounted Workstations

Tools Needed.....	4
Package Contents.....	5
Mounting Instructions.....	6
Lock Instructions.....	11
Shelf Instructions.....	26
Maintenance.....	30

Before using your new product, please read these instructions to prevent any damage.

Safety Information and Specifications



**IMPORTANT
SAFETY
INSTRUCTIONS
- SAVE THESE
INSTRUCTIONS**

CAUTION: Do not use this product for any purpose not explicitly specified by Carstens.

Improper installation may cause property damage or personal injury.

If you do not understand these directions, or have doubts about the safety of the installation, contact Customer Service or call a qualified contractor.

Carstens is not responsible for damage or injury caused by incorrect installation or use.

This product contains small items that could be a choking hazard if swallowed. Keep these items away from young children!

We're here for you
www.carstens.com

For customer service, call:
1-800-782-7524

carstens®

Welcome to Your WALLAroo

WALLAroo wall-mounted workstations and storage cabinets are designed to integrate seamlessly and unobtrusively into the workflow of all kinds of environments – from medical facilities to offices to schools.

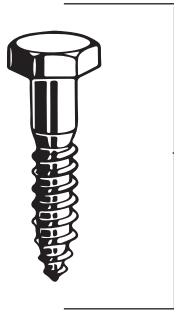
Use this manual to learn how to properly install and use your WALLAroo to make your workplace more efficient, secure and productive.

Table of Contents

Introduction	3
What You'll Need	4
What's Included	5
Mounting	6
Prep	6
Instructions	7
Troubleshooting	10
Keyed Locks	11
Manual Keypad Locks	12
Installing Battery	12
Access Codes	13
Troubleshooting	15
Auto Keypad Locks (EKL)	16
One-Door WALLAroos	16
Two-Door WALLAroos	19
Operating	23
Troubleshooting	24
Shelf Installation	26
Knife Bracket Shelves	26
Adhesive Slot Shelves	27
Bolted Slot Shelves	28
Retainer Bar Installation	29
Door Cylinder Removal	30
Door Cylinder Replacement	31
Changing a Circuit Board	32
Cleaning Instructions	33
Warranty	34
Contact	35

What You'll Need:

There is no mounting hardware or tools included with your WALLAroo.



- **#10 or 1/4" lag bolts**
- **2" - 4" long**
- *4-6 needed, depending on model*

Stud Finder



Level

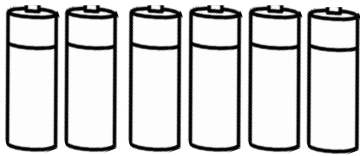


Power Drill or Socket Wrench

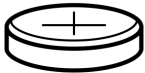


Drill bit or wrench attachment that fits lag bolts

What's Included:

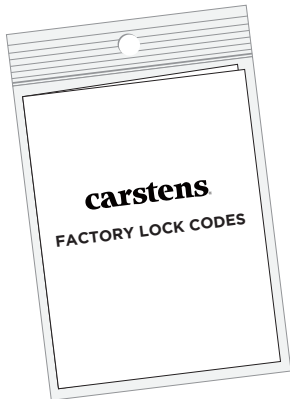


OR



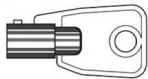
Batteries

(for keypad lock models only)



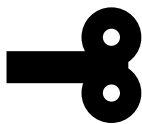
Administrator materials with initial access codes

(for keypad lock models only)



Key(s) (2 per box)

(for keyed lock models only)



One (1) Emergency Key

(for Auto Keypad Lock [EKL] models ONLY)
(one key per order, NOT per unit)

Mounting Prep

Before You Begin

Due to the various types of wall constructions you may be mounting on, we recommend that the hardware you use and the method of installation be approved by an engineering, architectural, or construction professional to ensure that all anchoring hardware will support the required loads.

The Wall Surface

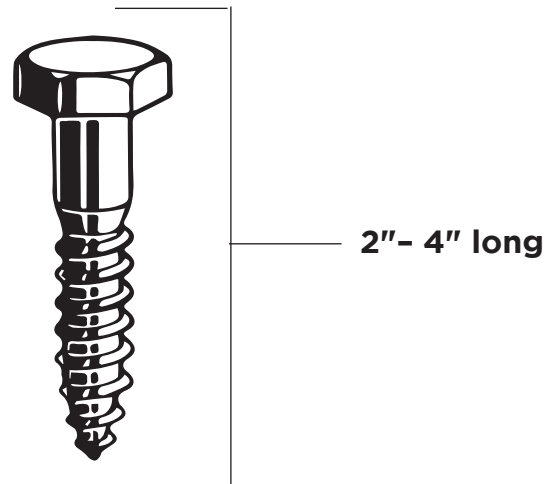
Your WALLaroo cabinet will operate best if mounted flush to a plumb wall. Not doing so could impact the functionality of the door(s). Shimming may be necessary to compensate for an uneven mounting surface.

Required Hardware (not included)

All WALLaroo cabinets should be mounted using four to six #10 or 1/4" diameter lag bolts, 2"-4" long (*hardware not included*). Lag bolts should be drilled into a stud for maximum security. Installers can use the keyholes provided on the unit, or simply drill through the back of the cabinet.

Fig. 1 - Lag Bolt

#10 or 1/4" Lag Bolt
(4-6 needed depending on series)
not included



Mounting Instructions

STEP 1 - Placement

Locate the mounting keyholes inside your cabinet on the back panel (see Fig. 2).

Two-door units will have keyholes in both the lower and upper cabinets.

Align these keyholes with wall studs.
(Keyholes are 16" apart on most models.)

NOTE:

For models with mounting keyholes that are only 12" apart (models 4650 and 6650), be sure at least one keyhole is secured in a stud and the other uses appropriate anchoring hardware.

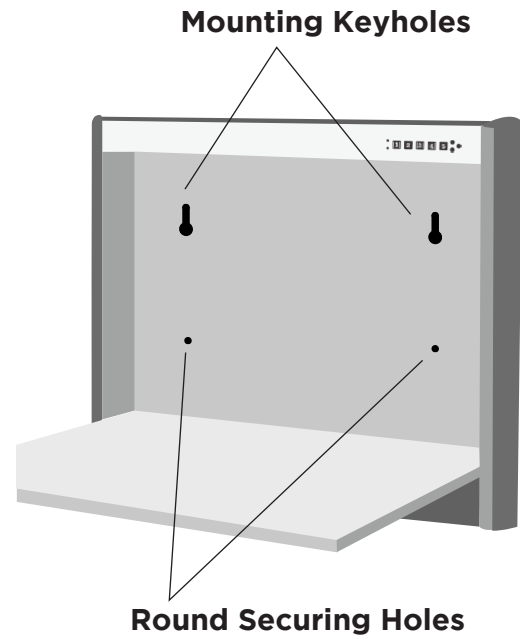


Fig. 2 - Mounting Hole Placement

STEP 2 - Height

Determine the height you want to mount your WALLaroo. Keep in mind that the opened door functions as a work surface, so be sure it's at a comfortable working height when open. See next page for a diagram and chart to assist your measurements.

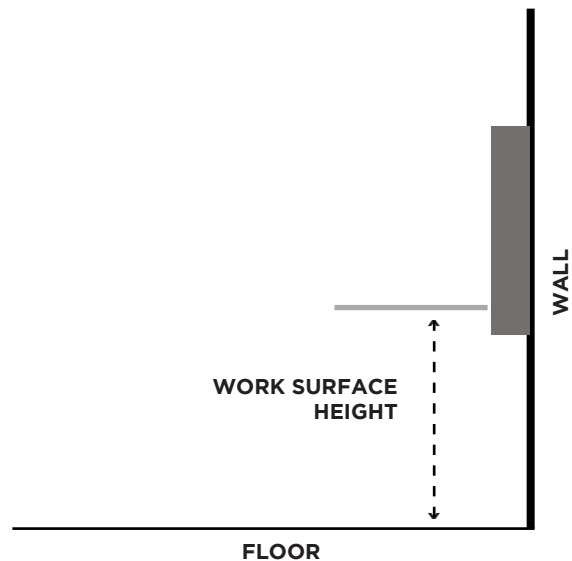
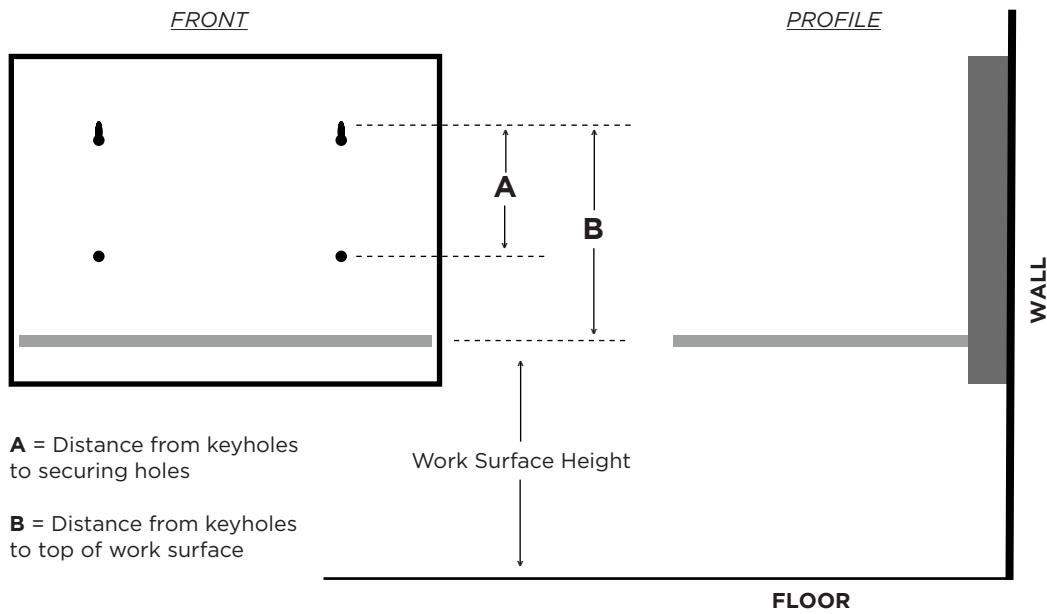


Fig. 3 - Side View - Door Open

Mounting Instructions

Measuring Guide

Use the diagram and chart below to help measure your WALLaroo installation and ensure the work surface is at a comfortable height.



Model	"A" Distance	"B" Distance
4640	17.3"	17.4"
4650	17.3"	17.4"
6650	11.5"	16.2"
51250	17"	17.3"
53200	14.9"	16.5"
53250	14.9"	16.5"
53300	14.9"	16.5"
6600	11.4"	16.3"
6610	12"	16.9"
6670	11.4"	16.3"
6680	15.3"	16.8"
6690	16"	17.5"

Mounting Instructions

STEP 3 - Mounting with keyholes

Use a level to ensure your WALLAroo's placement is even and parallel with the floor.

Using #10 or 1/4" lag bolts (2-4" long), secure the unit to the wall through the two mounting keyholes (see Fig. 4). For two-door models, use the keyholes in the lower cabinet first.

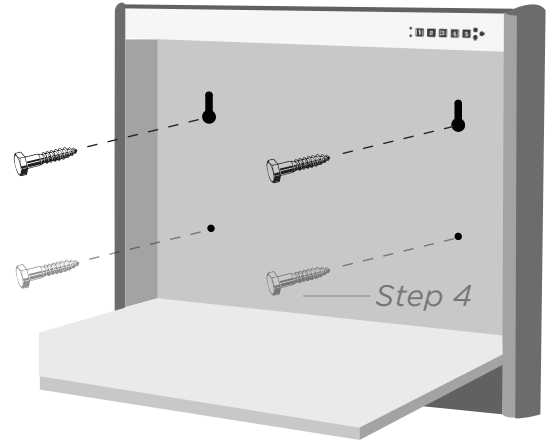


Fig. 4 - Lag Bolt Installation

STEP 4 - Locking Against the Wall

Using #10 or 1/4" lag bolts (2-4" long), lock the unit against the wall via the two round securing holes located directly below the keyholes (see Fig. 4). Use the chart to on page 8 to identify where the round securing holes are located on your model.

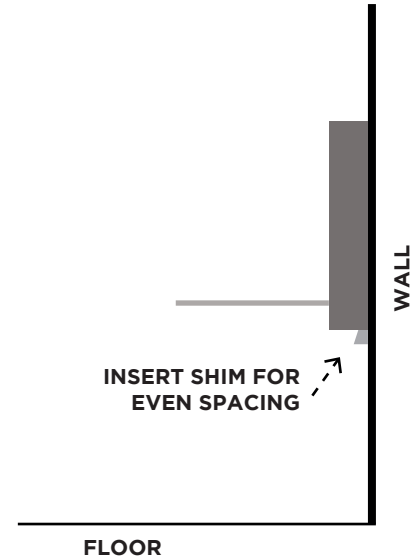
NOTE: For two-door models, after you have secured the keyholes and round securing holes in the lower cabinet, THEN secure via the two keyholes in the upper cabinet.

Troubleshooting Installation

Ensuring Proper Operation

On a properly mounted WALLaroo, the seam between the door and the frame should be even on both sides. If the seam has uneven spacing on either side, or if the door is not closing properly, or if the lock isn't engaging, this means the wall may not be plumb and shimming will be necessary.

To shim, open the lower cabinet first and loosen one screw, two or three turns. Then check the door seams. If there's no change, re-tighten that screw and move on to another screw. Once the affecting screw is identified, shim behind the cabinet in that area, secure and check for even spacing.



Keyed Locks

Overview

WALLAroo cabinets with a keyed lock feature a standard tubular lock that can be opened with the two (2) tubular keys included with your shipment.

Unlocking The Door

Insert the key with the pin aligned with the notch on the top of the lock (see Fig. 5), push until the key is completely in, then turn clockwise 90 degrees to unlock the cabinet compartment. The door will remain unlocked until you re-lock it with the key.

Locking The Door

With the door closed, insert the key with the pin aligned with the notch on the right side of the lock (see Fig. 5), push until the key is completely in, then turn counter-clockwise 90 degrees to lock the cabinet compartment. The door will remain locked until you re-open it with the key.

Turn Clockwise to Open

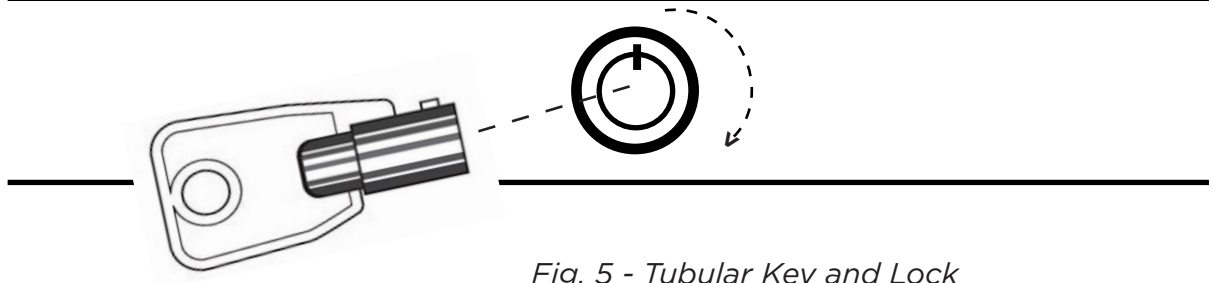


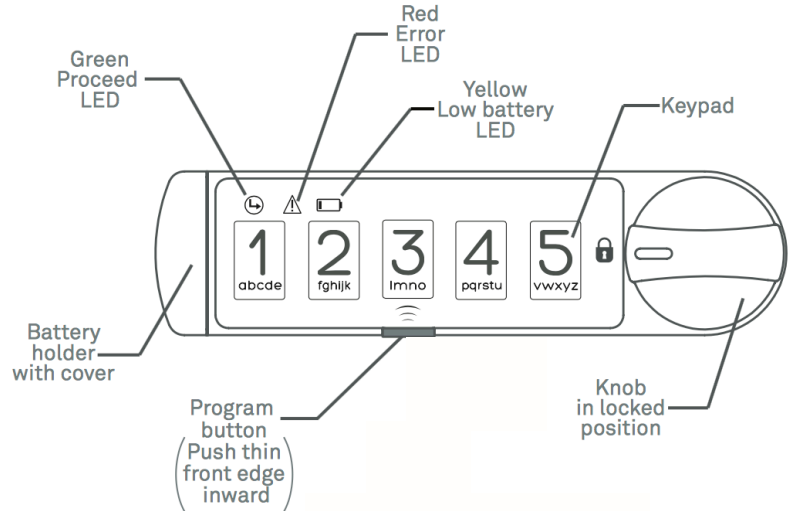
Fig. 5 - Tubular Key and Lock

Manual Keypad Locks

Fig. 6 - Manual Keypad Lock

OVERVIEW

WALLaroo cabinets with manual keypad locks are accessed by entering a numerical code on a keypad and then turning a cam-lock knob to open. To lock, turn the cam-lock knob to align the pointer with the lock icon.



STEP 1 - Installing the Battery

Your WALLaroo will arrive from the factory with the door unlocked. To activate the lock and start programming access codes, you will first need to install the battery.

Find the battery and its casing in a bag either inside your WALLaroo cabinet or taped to the outside.

1. Turn the knob on your keypad to the unlocked position (knob pointer aiming upwards).

2. Make sure the battery is in its casing (Fig. 7). The casing has a cover flap that swings open to reveal a security screw underneath. With the cover flap open and security screw "up" (facing you), slide the casing into the slot on the left side of the keypad (Fig. 7).

NOTE: Be sure the security screw is not sticking out from the bottom of the casing, which would prevent it from sliding completely into the slot.

3. Once completely inserted, use the included allen wrench to tighten the security screw and secure the casing in place. Then swing the casing cover flap back over the screw.



CR 2032 3V Coin Cell
Lithium Battery
.78" diameter

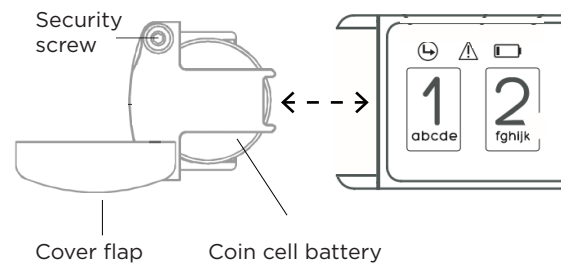


Fig. 7 - Battery in Casing

Manual Keypad Locks

STEP 2 - Factory Access Codes

Your manual keypad lock holds **THREE unique access codes**. Two of the codes come pre-programmed in your lock from the factory (the Master code and the Supervisor code). The third code (the User code), does not come pre-programmed. You should program new and unique codes for all three of these upon setting up your WALLAroo.

The Three Access Codes Explained

1. MASTER CODE

The master code is a six-digit code that comes pre-programmed in your lock.

The Master Code for your lock is: 135243

Change your master code to your own unique code and keep it in your records.

IF MASTER CODE IS LOST, IT CANNOT BE RECOVERED. KEEP IT SECURED.

2. SUPERVISOR CODE

The supervisor code is a 3-6 digit code that comes pre-programmed in your lock.

The Supervisor Code for your lock is: 123

Change your supervisor code to your own unique code and keep it in your records.

3. USER CODE

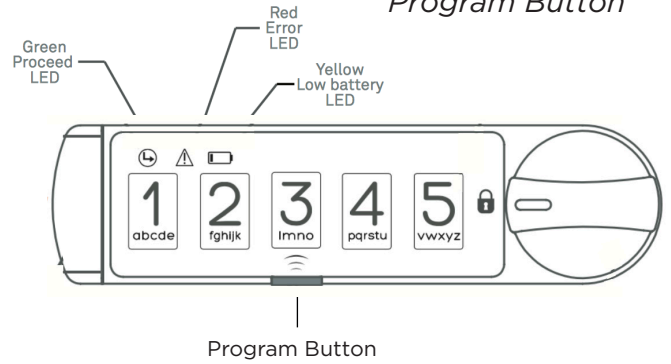
ONE user code can be programmed into the lock by you. The user code can be 3-6 digits long and can be changed or updated by you as necessary (see following page for instructions).

Manual Keypad Locks Programming New Codes

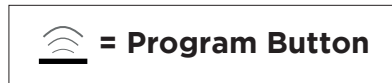
Fig. 8
Program Button

Step 1 - Locate the Program Button

The Program Button is the thin black button along the bottom edge of the lock (see Fig. 8). You will use this button to initiate all lock code programming. To engage the Program Button, press it in, towards the wall.



Step 2 - Program New Codes



PROGRAMMING A MASTER CODE (MUST BE 6 DIGITS)

PRESS	SEE	ENTER	SEE	ENTER	SEE	ENTER	SEE
P 5x		Master Code		Master Code Again		NEW 6-Digit Master Code 2x	Flash 6x

PROGRAMMING SUPERVISOR CODE (3-6 DIGITS)

PRESS	SEE	ENTER	SEE	ENTER	PRESS	SEE
P 1x		Supervisor Code or Master Code		NEW Supervisor Code (3-6 digits)	P 1x	Flash 6x

PROGRAMMING A USER CODE (3-6 DIGITS)

PRESS	SEE	ENTER	SEE	ENTER	PRESS	SEE
P 2x		Supervisor Code		NEW User Code (3-6 digits)	P 1x	Flash 6x

Manual Keypad Locks Troubleshooting

Lockout Mode

After 10 consecutive incorrect locking attempts, the lock will enter “lockout mode” for two minutes. In lockout mode, operation is temporarily disabled. Each key press in lockout mode will trigger the red LED and an alert will sound three times. Two minutes after the last key was pressed, the lock will return to its normal state and can be used as intended.

Batteries

The keypad lock on your WALLAroo uses a 20mm coin cell battery. The battery will typically last 3 to 5 years or 50,000 operations and can be replaced externally.

Auto Keypad Locks (EKL) for One-Door WALLAroos

Overview

WALLAroo cabinets with a five-button auto keypad lock are accessed by inputting numeric codes which trigger the lock to automatically release.

Follow the steps below to learn how to unlock and open the door, connect batteries and program codes for your electronic lock.

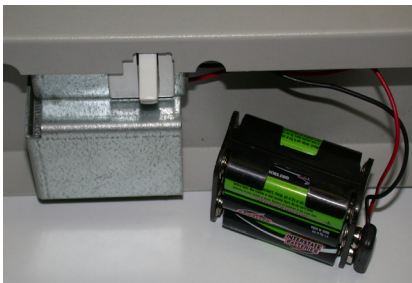


Fig. 10 - Auto Keypad Lock

STEP 1 - Connecting Batteries

One-door WALLAroo cabinets arrive with their door unlocked. Before programming codes, you will need to connect the battery pack.

Open the door and locate the battery tray up in the top left side of the cabinet frame. You will need to attach the 9-volt connector tab to the battery tray by firmly pressing the male and female ends together (see Fig. 11).



Battery pack (out of tray)
Battery pack is held in tray by Velcro.

9-volt connector tab (unattached)



9-volt connector tab (attached)



Fig. 11 - Connecting 9-Volt Tab

Auto Keypad Locks (EKL) for One-Door WALLAroos

Step 2 - Opening The Door

If the door has been closed and locked after connecting the batteries, and no codes have been programmed yet, press 1-1-1 on the keypad, wait 2 seconds for the cam-lock to release (you should be able to hear this), then pull the door open. (If you don't open the door within 4 seconds of entering 1-1-1, the door will re-lock and you will have to re-enter 1-1-1.)

Step 3 - Locating the "Learn" Button

To program user codes, you will first need to locate the "Learn" button.

After opening the door, reach behind the keypad and you will feel a button behind the number 4 key. You may want to use a small mirror to help you see behind the keypad and locate the small blue button behind the number 4 key (See Fig. 12). This is the "Learn" button.

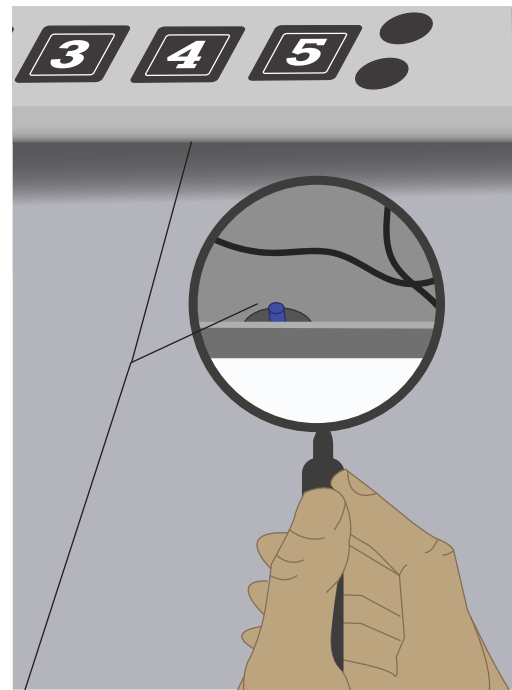


Fig. 12 - Blue button behind key #4. The "Learn" button.

Auto Keypad Locks (EKL) for One-Door WALLAroos

STEP 4 - Programming User Codes

This unit can store up to **5** different user codes.

1. **Press the “Learn” button the number of times equal to the user number you want to program.** (ex. Press the “Learn” button two times to program a code for user number 2. Press it three times to program a code for user number 3. Etc.)
2. **Enter the new user code on the keypad.** Codes must be 3 to 5 digits long. For each button pressed, the GREEN LED will blink.
3. **Press the “Learn” button again ONCE** (regardless of which user code you’re programming). The GREEN LED will turn off and the RED LED will turn on.
4. **Re-enter the new user code again to confirm it.** For each button pressed, the GREEN LED will blink.
5. **Press the “Learn” button ONCE again.** If the GREEN LED flashes three times, your new code has been confirmed and accepted. If the RED LED flashes, an error has occurred and you will need to start again from number 1 of this step.

NOTE:

Once a code for user 1 is programmed, the initial 1-1-1 access code will be erased.

For troubleshooting, see pages **24-25**.

Auto Keypad Locks (EKL) for Two-Door WALLAroos

Overview

Two-door WALLAroo cabinets with a five-button auto keypad lock are accessed by inputting numeric codes which trigger the lock to automatically release the bottom and top compartments independently.

Follow the steps below to learn how to unlock and open the doors, install batteries and program codes for your electronic lock.



Fig. 13- Electronic Lock Keypad

STEP 1 – Installing Batteries

Your WALLAroo cabinet will arrive with the upper compartment door unlocked. Pull it open and locate the battery tray on the bottom shelf as well as the six (6) required AA alkaline batteries. The six batteries should be inside the unit, but not installed in the tray.

Remove the battery tray lid and install the batteries as directed. Then replace the tray lid and close the upper door.



Fig. 14 - Battery Tray

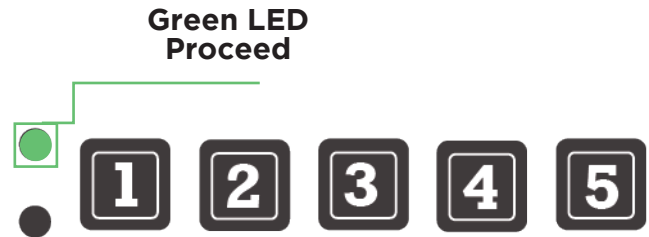
Auto Keypad Locks (EKL) for Two-Door WALLAroos

Step 2 - Opening the Lower Door

Enter 1-1-1 on the keypad, wait 2 seconds for the cam-lock to turn, then pull the lower door open.

The GREEN LED will flash each time a button is pressed.

After 1-1-1 is entered, the GREEN LED will stay ON for 4 seconds indicating the door can be opened at that time. (If you don't open the door within 4 seconds of entering 1-1-1, the door will re-lock and you will have to re-enter 1-1-1.)



Step 3 - Locating the “Learn” Button

To program user codes, you will first need to locate the “Learn” button.

After opening the lower door, reach behind the keypad and you will feel a button behind the number 4 key. You may want to use a small mirror to help you see behind the keypad and locate the small blue button behind the number 4 key (See Fig. 15). This is the “Learn” button.

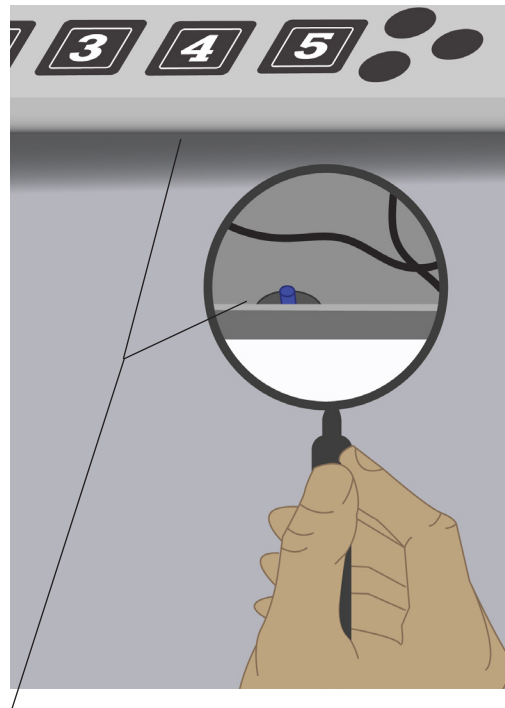


Fig. 15 - Blue button behind key #4. The “Learn” button.

Auto Keypad Locks (EKL) for Two-Door WALLAroos

STEP - 4 Programming User Codes For The Lower Door

The lower door can store up to **5** different user codes.

1. **Press the “Learn” button the number of times equal to the user number you want to program.** (ex. Press the “Learn” button two times to program a code for user number 2. Press it three times to program a code for user number 3. Etc.)
2. **Enter the new user code on the keypad.** Codes must be 3 to 5 digits long. For each button pressed, the GREEN LED will blink.
3. **Press the “Learn” button again ONCE** (regardless of which user code you’re programming). The GREEN LED will turn off and the RED LED will turn on.
4. **Re-enter the new user code again to confirm it.** For each button pressed, the GREEN LED will blink.
5. **Press the “Learn” button ONCE again.** If the GREEN LED flashes three times, your new code has been confirmed and accepted. If the RED LED flashes, an error has occurred and you will need to start again from number 1 of this section.

NOTE:

Once a code for user 1 is programmed, the initial 1-1-1 access code will be erased.

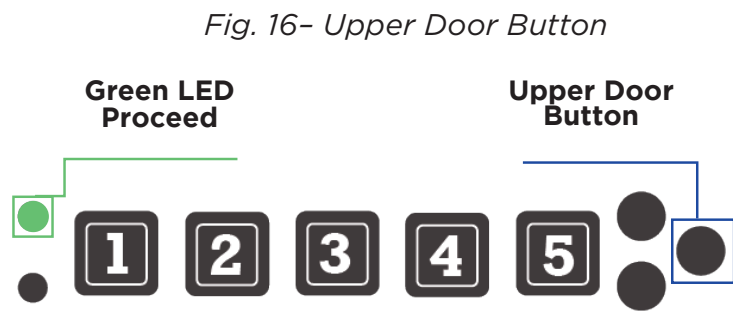
Auto Keypad Locks (EKL) for Two-Door WALLAroos

STEP 5 – Opening the Upper Door

Press the UPPER DOOR button on the keypad (see Fig. 16).

Enter 5-5-5 on the keypad, wait 2 seconds for the cam-lock to turn, then pull the door open.

The GREEN LED will flash each time a button is pressed.



After 5-5-5 is entered, the GREEN LED will illuminate for 4 seconds indicating the upper door can be opened at that time. (If you don't open the upper door within 4 seconds of entering 5-5-5, the door will re-lock and you will have to re-enter 5-5-5.)

STEP 6 – Programming User Codes for the Upper Door

The upper door can only store **1** user code.

1. **Press the “Learn” button SIX times.** (Located behind key “4,” see FIG. 15). At first press, the GREEN LED will turn on. For each additional press, GREEN LED will blink.
2. **Enter a new user code on the keypad.** Code must be 3 to 5 digits long. For each button pressed, the GREEN LED will blink.
3. Press the **“Learn” button again ONCE.** The GREEN LED will turn off and the RED LED will turn on.
4. **Re-enter the new user code** again to confirm it. For each button pressed, the GREEN LED will blink.
5. **Press the “Learn” button ONCE again.** If the GREEN LED flashes three times, your new code has been confirmed and accepted. If the RED LED flashes, an error has occurred and you will need to start again from number 1 of this step.

NOTE:

Once a top door user code is programmed, the initial 5-5-5 access code will be erased.

For troubleshooting, see pages **24-25**.

Operating Your Auto Keypad WALLAroo

Opening and Re-locking

After entering your access code, wait 2 seconds for the cam-lock to turn and release the door, then pull the door open.

After unlocking the Wallaroo, if the door is not opened within 4 seconds, the cam-lock will automatically re-lock itself.

After closing the door, the unit will wait 3 seconds before automatically locking itself.

Operational Notes

- Do not wait longer than 10 seconds between keypad digit entries. If a delay longer than 10 seconds is detected, the RED LED will flash three times, and an access code will need to be entered again.
 - If a user enters the wrong code, they must either wait for the lock to timeout (10 seconds) or enter 6 key presses until the red light flashes, and THEN try entering a code again.
-

Troubleshooting Your WALLAroo Auto Keypad (EKL) Lock

Low Battery / Replacement

This unit requires six (6) “AA” alkaline batteries. If the batteries are low, the RED LED will begin flashing when keys are being pressed. **Change batteries immediately.**

In the event that the unit will not open due to depleted batteries, a 9-volt battery can be placed on the two Emergency Battery Leads to the right of the keypad numbers (see Fig. 17). Press and hold the 9-volt battery against the two gray buttons with the (+) on top. While holding the 9-volt in place, enter an access code to open the door.

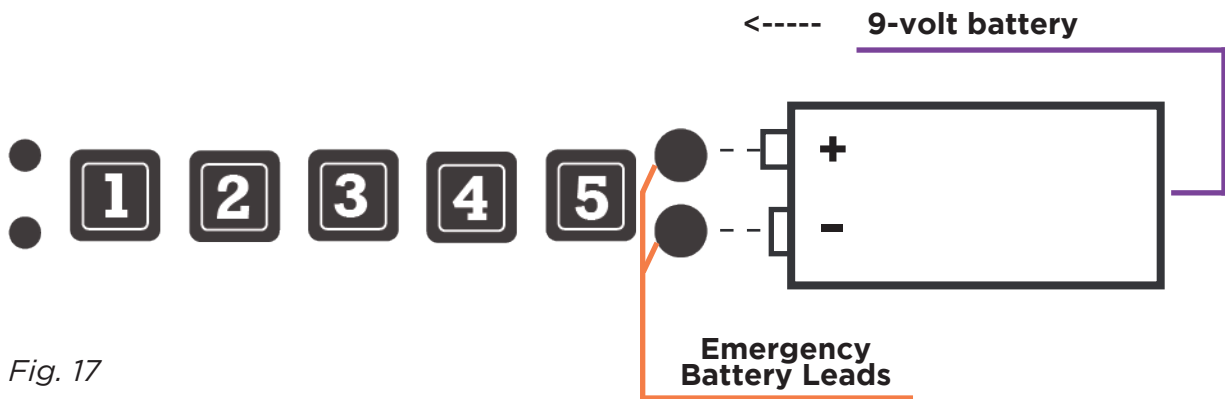


Fig. 17

*Battery life will depend on usage. Carstens recommends batteries be replaced proactively as part of a scheduled preventive maintenance program.

Troubleshooting Your WALLAroo Auto Keypad (EKL) Lock

Lost Codes and Retrieving Access to Your WALLAroo

If you lose or forget your user codes, there are multiple ways to gain access your WALLAroo unit:

Factory Code: A unique 5-digit code is preset into your WALLAroo lock from the factory. This Factory Code is permanent and cannot be erased. When entered, the Factory Code gives you access to all doors on the unit. **Carstens supplies one Factory Code per unit, which is included in your WALLAroo user literature (see Fig. 18). SAVE THIS DOCUMENT.**

Encrypted Code: Each WALLAroo unit comes with a 4-digit alphanumeric Encrypted Code. Carstens will apply one label with this code on the outside bottom of the WALLAroo cabinet and another label in the product literature. If during the life of your cabinet, your Factory Code is lost, you can call Carstens (1 800 782 1524) and use your Encrypted Code to retrieve your Factory Code. **You will need this Encrypted Code as well as your facility account number to retrieve a Factory Code from Carstens.**

Emergency Key: Every order of WALLAroo units with Auto Keypad Locks comes with one Emergency Key. Peel away the Carstens label on the front of any unit to locate the keyhole. Insert the key and turn it to manually release the cam-lock and open the door (see Fig. 19).

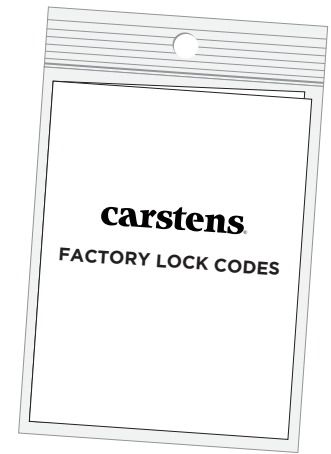


Fig. 18- Lock Code Packet included in WALLAroo Box

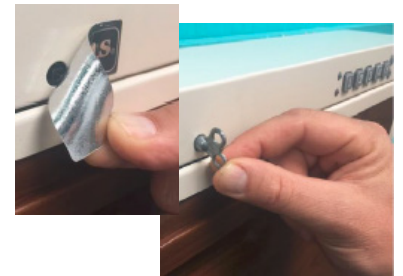
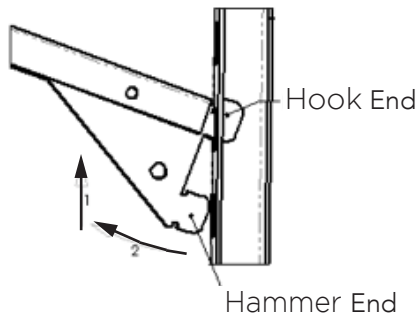
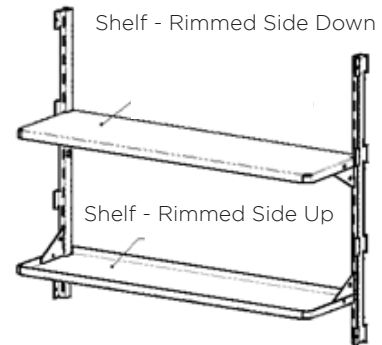


Fig. 19- Emergency Key Access

Knife Bracket Shelf Installation

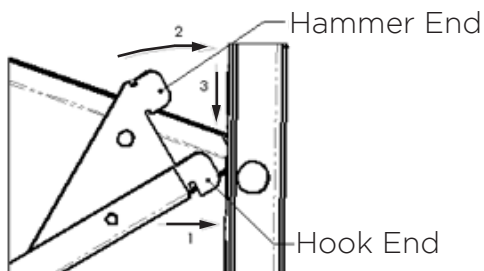
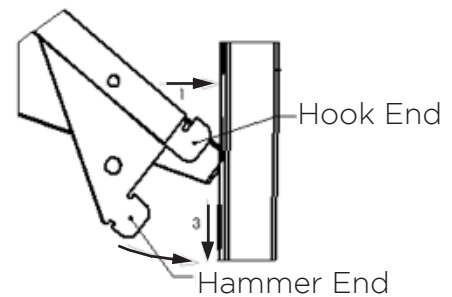
Found in WALLAroo Models: 53200, 53300, 53250

Carstens Knife Bracket Shelf System allows shelves to be installed at any desired position and repositioned easily and without tools. Shelves can be installed with rim turned down, or with rim turned up to retain items placed on shelf.



To remove a shelf, lift up slightly and pull hammer end of side bracket out of slot and away from back rail, rotating on hook end.

To install shelf, tilt shelf up, insert hook end first, rotate hammer end into rail slot, and push down to secure hammer end in rail slot.



To install shelf with rimmed side up, tilt shelf down, insert hook end first, then hammer end. Push down to secure.

carstens®

Adhesive Slot Shelf Installation

Found in WALLaroo Models: 6600, 6690, 6680, 6670, 6610, 6650

Carstens Adhesive Slot Shelving allows shelves to be installed at any desired position, and repositioned easily without tools. You can install them during your initial WALLaroo mounting or add them later after mounting.

NOTE: Contact Carstens when ordering WALLaroo slot shelves to be sure you select the right style for your model.

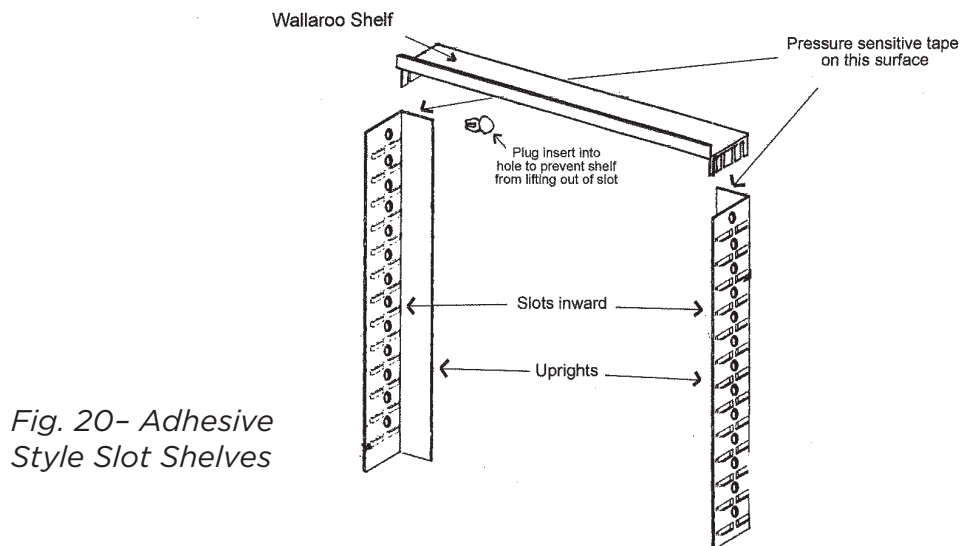


Fig. 20- Adhesive Style Slot Shelves

Adhesive Slot Shelf Installation

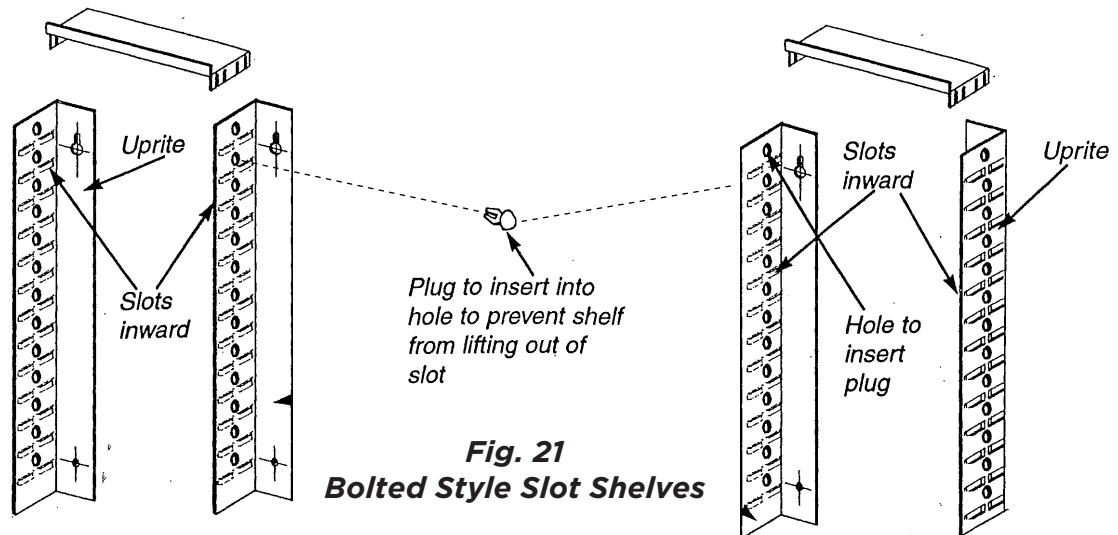
1. Place a WALLaroo shelf unit at the very top and bottom of the two uprights. Uprights should be placed as shown above. Shelf tabs will slide into the slots of the uprights.
 2. Remove the backing on the double-sided tape and place the shelving into your WALLaroo.
- NOTE: Keep the uprights and shelves as square as possible. Then press them firmly into place against the back wall.
3. Shelves can now be moved up and down into desired positions.
 4. Insert plastic plugs into the holes provided (directly above each shelf) to prevent the shelves from lifting up. Plugs can be removed when changing shelf positions.

NOTE: The shelves have one edge bent upward and one bent downward. They can be installed either way, with the lip in the front or the rear.

Bolted Slot Shelf Installation

Offset style for model: 4650

Mirrored style for models: 4640, 51250



Installation for Bolted Slot Shelves

Installing in a New WALLaroo

1. Place uprights into WALLaroo as shown, aligning the upright keyholes with cabinet keyholes.
2. Insert mounting lag bolts into keyhole slots and tighten, then repeat with the round securing holes below.
3. Place shelves at desired height. Shelf tabs will slide into upright slots.
4. NOTE: The shelves have one edge bent upward and one bent downward. They can be installed either way, with the lip in the front or the rear.
5. Insert plastic plugs into the holes provided (directly above each shelf) to prevent the shelves from lifting up. Plugs can be removed when changing shelf positions.

Installing in an Existing WALLaroo

[Install one upright at a time.]

1. Loosen the upper lag bolt in the keyhole of the WALLaroo. (DO NOT REMOVE THE BOLT)
2. Remove the lag bolt from the same side's LOWER round securing hole.
3. Hang the upright on the upper wall screw.
4. Line up the lower round securing holes on the upright and the cabinet and reinsert lower mounting lag bolt. Tighten lower bolt, then tighten the upper bolt.
5. Place shelves at desired height. Shelf tabs will slide into upright slots.
6. NOTE: The shelves have one edge bent upward and one bent downward. They can be installed either way, with the lip in the front or the rear.
7. Insert plastic plugs into the holes provided (directly above each shelf) to prevent the shelves from lifting up. Plugs can be removed when changing shelf positions.

Retainer Bar Installation

Retainer bars are great for holding clipboards, binders, folders and other papers and supplies upright inside a WALLAroo cabinet. They can be installed in different locations and in different sizes for each WALLAroo model. Check with Carstens customer service when ordering to ensure you get the correct retainer bar for your model.

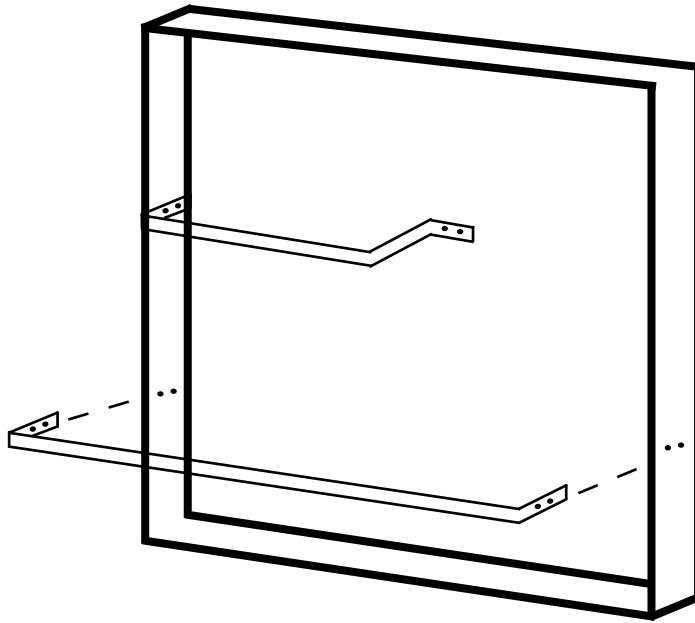


Fig. 22- Retainer Bar Installation

Installation

Retainer bars are mounted inside the WALLAroo cabinet using two screws.

1. Locate the retainer bar holes on the inner frame of your WALLAroo.
2. Line up those holes with the holes on the retainer bar (bar ends go on the INTERIOR of the frame).
3. Use four screws to secure the bar to the inner frame of the cabinet.

Door Cylinder Removal

Some WALLAroo units have a gas cylinder controlling the opening and closing of the door. These cylinders may be removed or replaced (see next page) as desired following these directions.

Recommended tools to use:

- Small flat head screw driver
- Metal cylinder strap (incl. when you order new cylinder)

Step 1. First, open the WALLAroo door. The right cylinder will be removed first. The cylinder must be removed from the top and then from the bottom.

Step 2. A metal strap must be placed around the cylinder before it is removed to keep the cylinder from self-extending. The bent ends of the strap go in first.

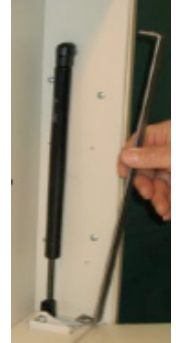
Step 3. Put the strap on the bottom of the cylinder first. Close the WALLAroo door slowly until the top of the strap fits on top of the cylinder.

Step 4. The strap should completely encase the cylinder and the door will be slightly closed.

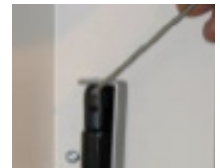
Step 5. Take a small flat head screwdriver and pry out (but do not remove) the metal clip at the top of the cylinder. At the same time, push the top of the cylinder away from the cabinet until the cylinder pops off.

Step 6. Use the same procedure to remove the bottom cylinder except once the clip has been moved out, push the cylinder towards the cabinet to remove.

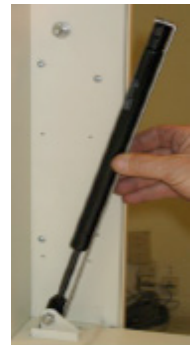
Step 2



Step 5



Step 5



Step 6



Door Cylinder Replacement

(Does not apply to 53000 models)

Recommended tools to use:

- Small flat head screw driver
- Metal cylinder strap (incl. when you order new cylinder)

Step 1. First, open the WALLaroo door. The right cylinder will be removed first. The cylinder must be removed from the top and then from the bottom.

Step 2. Take a small flat head screwdriver and pry out (but do not remove) the metal clip at the top of the cylinder. At the same time, push the top of the cylinder away from the cabinet until the cylinder pops off.

Caution: cylinder is under pressure and will expand.

Step 3. Use the same procedure to remove the bottom cylinder except once the clip has been moved out, push the cylinder towards the cabinet side to remove.

Step 4. Install new cylinder with metal strap. Do not remove metal strap until installation is complete.

First remove the tape around the cylinder and metal strap. Take the bottom of the cylinder (thinner part) and snap on to the bottom ball stud. The ball stud is attached to a bracket that is attached to the door.

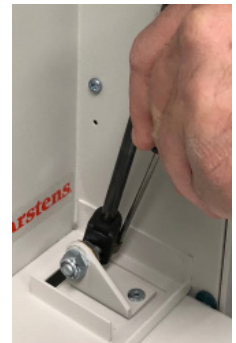
Step 5. Once attached to the bottom, the cylinder can be installed onto the top ball stud by realigning the door till ball stud and top of cylinder are aligned. Then snap in place.

Step 6. To remove the metal strap from the cylinder, lower the door to 90 degrees and the strap will fall off. Please use caution.

Step 2



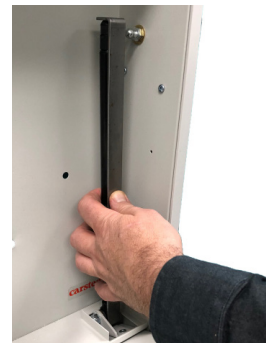
Step 3



Step 4



Step 5



Changing an EKL Circuit Board

Tools Needed:

- Phillips Screwdriver
- Replacement Circuit Board

Step 1. Remove the two screws from the keypad support plate and pull out the keypad support plate. Keep the screws and plate aside for future use.

Step 2. Pull the keypad out of the keypad housing. The circuit board is on the back of the keypad. The encrypted code and the factory master code are on the circuit board. Please keep these for reference.

Step 3. Take off the wires from the circuit board and gently peel off the rubber keypad starting on the side with the two lights.

Step 4. Plug the wires into the new circuit board and replace the rubber keypad starting with the side with the two lights.

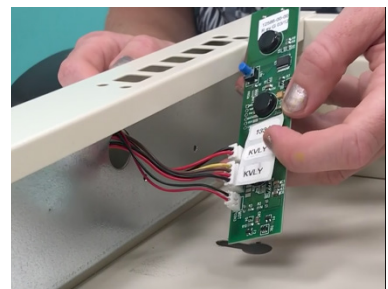
Step 5. Place the keypad with the new circuit board back up into the keypad housing.

Step 6. Put the keypad support plate back in place while being careful to not pinch the wires. Secure it in place with the two screws.

Step 1



Step 2



Step 4



Step 6



carstens



Scan the code to view an instructional video on circuit board replacement or visit: https://youtu.be/7AipCZ_Mgnc



Cleaning Your WALLAroo

The recommended method of cleaning is by regular washing using a solution of warm water and mild detergent. All surfaces should be cleaned using a soft cloth or sponge and a liberal quantity of water, using nothing harsher than natural bristle brushes. If you have to scrape something off, use a plastic scraper only.

Where heavier soiling on the coating is encountered, nothing harsher than white spirit (mineral spirit) should be used for cleaning and in no circumstances, should any abrasive cleaner or any cleaner containing ketones, esters, or alcohols be used.

Acceptable cleaners include:

- Dish Soap and Water
- Fabuloso
- Goo Gone or equivalent orange cleaner
- 10% bleach to water solution

Powder coated products need to be cleaned and maintained regularly to ensure the decorative and protective properties of the coating are retained.

The frequency of cleaning depends in part on the standard of appearance that is required and the requirement to remove deposits which could, during prolonged contact with either the powder film or the metal substrate (if exposed), cause damage. Materials left for extended periods without cleaning will suffer and won't come back to the original appearance.

carstens®

Warranty

Carstens, Incorporated (the “Seller”) warrants the articles sold will conform with all pertinent specifications, including performance specifications, drawings, and approved sample, if furnished. Seller also warrants said articles to be free of defective material and workmanship.

This warranty is in lieu of all other warranties, expressed or implied. Seller makes no warranty that said Products are fit for any particular purpose, nor any warranty as to the merchantability or quality of Products sold except as herein stated. All claims for alleged defects in articles under this warranty shall be deemed waived unless made in writing and delivered to Seller within ninety (90) days after receipt of the Product by Buyer.

This warranty shall not apply where goods have been subject to misuse, neglect, accident, improper installation or application, or have been repaired or substantially altered by others. No returns will be accepted unless authorized by Carstens. Seller’s liability shall, in no event, include Buyer’s manufacturing costs, lost profits or goodwill, or any other special or consequential damages.

Limited Warranty

Carstens, Incorporated warrants that the products listed below will remain free of defects in workmanship and in factory installed material, and will remain fit for the ordinary purposes for which intended, during the time periods and subject to the conditions stated below.

WALLAroo® Electronic Locks—one (1) year
 WALLAroo® Gas Cylinders—one (1) year
 WALLAroo® Workstations—three (3) years
 WALLAroo Jr.™ and Econoroo®—two (2) years

Should the Buyer of any of the foregoing products find otherwise, Carstens will, at its exclusive option, either repair or replace the defective products at no charge to the Buyer for parts and service. If Carstens is unable to repair or replace the products, it will credit the Buyer’s account for:

The full purchase price when the warranty runs for a period of three (3) years or less and the warranty claim is made prior to the end of the warranty term.

This limited warranty covers only such defects which are incurred under usual and customary use in medical facilities. This warranty does not cover normal maintenance or adjustments, nor damage or malfunction caused by improper handling, maintenance, installation, abuse, accident, incorrect power source, negligence, carelessness of operation, misapplication, or alteration or repair of the product in any manner without the prior written consent of Carstens.

THE PROVISIONS OF THIS LIMITED WARRANTY ARE EXPRESSED IN LIEU OF ANY OTHER WARRANTIES, EXPRESSED OR IMPLIED. ANY WARRANTY OF MERCHANTABILITY, FITNESS FOR A PARTICULAR PURPOSE, OR ANY OTHER IMPLIED WARRANTY IS EXPRESSLY DISCLAIMED. Further, this limited warranty is applicable only to the purchaser of such merchandise from Carstens, regardless of whether or not such purchaser is the end user of subject equipment. THE REMEDIES PROVIDED FOR IN THIS LIMITED WARRANTY ARE EXPRESSLY IN LIEU OF ANY LIABILITY THAT CARSTENS MAY HAVE, INCLUDING, WITHOUT LIMITATION, INCIDENTAL, CONSEQUENTIAL, EXEMPLARY, OR PUNITIVE DAMAGES. Some states do not allow the exclusion or limitation of incidental or consequential damages; the above limitation or exclusion may not apply to you. This limited warranty gives you specific legal rights and you have other rights which vary from state to state.

carstens®

Contact



Customer Service

United States

7310 West Wilson Avenue,
Chicago, IL 60706

+ 1 800 782 1524

M-F 7:30 AM- 5:00 PM CST

Rights

© 2020 Carstens.
THE INFORMATION AND DRAWINGS
CONTAINED IN THIS GUIDE IS THE
SOLE PROPERTY OF CARSTENS.
ANY REPRODUCTION IN PART OR AS
A WHOLE WITHOUT THE WRITTEN
PERMISSION OF
CARSTENS IS PROHIBITED.

carstens®

v022820