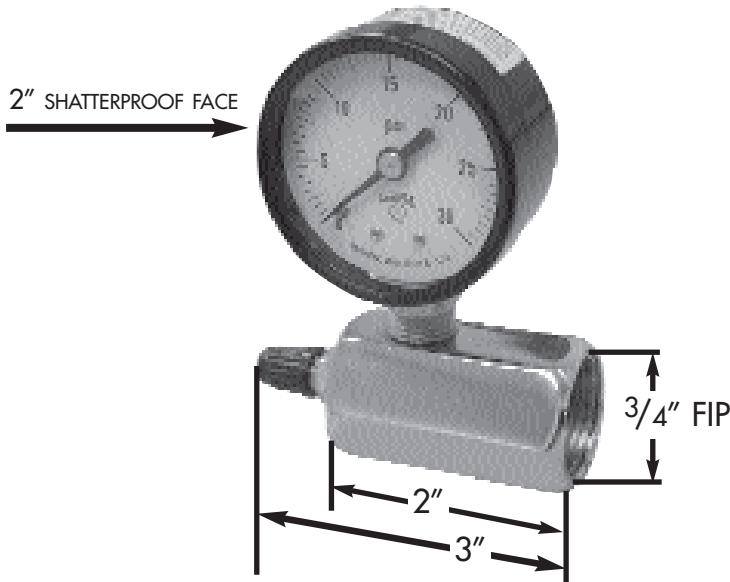


# SPECIFICATION SUBMITTAL SHEET

jones stephens corporation

## GAS TEST GAUGE ASSEMBLY



### features and benefits:

- Steel case with 2" shatterproof face
- Plated body with 3/4" FIP inlet
- Applicable with air, water, oil and gas (anything which does not attack brass)
- Adapts to 3/4" MPT
- Individually boxed
- Brass air valve

This product and others like it can be found in the Jones Stephens catalog. Call today to order your catalog or download it from our website: [www.plumbest.com](http://www.plumbest.com)

PART NO.	DESCRIPTION
<input type="checkbox"/> G64-030	30 PSI
<input type="checkbox"/> G64-060	60 PSI
<input type="checkbox"/> G64-100	100 PSI
<input type="checkbox"/> G64-160	160 PSI
<input type="checkbox"/> G64-200	200 PSI
<input type="checkbox"/> G64-333	300 PSI
<input type="checkbox"/> G64-000	1/4" air valve and cap
<input type="checkbox"/> G64-001	Gas Test Body Only
<input type="checkbox"/> G64-002	1/8" air valve and cap
<input type="checkbox"/> G64-020	Gas test body and air valve assembly

jones stephens corporation  
3249 moody parkway • moody, alabama 35004  
toll free phone: 1-800-355-6637 • toll free fax: 1-800-462-6991  
[www.plumbest.com](http://www.plumbest.com)