

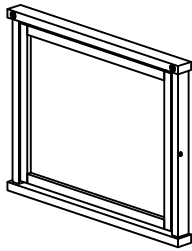
# YOSEMITE MIRROR ASSEMBLY INSTRUCTIONS



## PART AND FITTING PACKAGING DETAIL

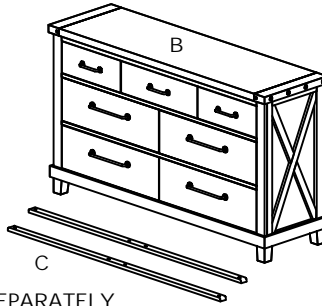
BOX #1  
A. MIRROR

1 PC



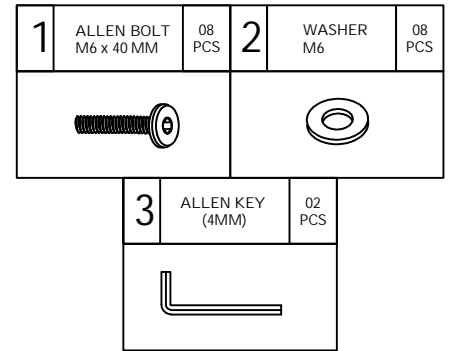
BOX #2\*  
B. DRESSER 7 DRAWER  
C. SUPPORT MIRROR  
HARDWARE IN PLASTIC POUCH

1 PC  
2 PCS



\* SOLD SEPARATELY

HARDWARE PACKED IN BOX #2



## WARNING

FOR YOUR SAFETY AND CONVENIENCE  
ASSEMBLY BY TWO PEOPLE IS RECOMMENDED

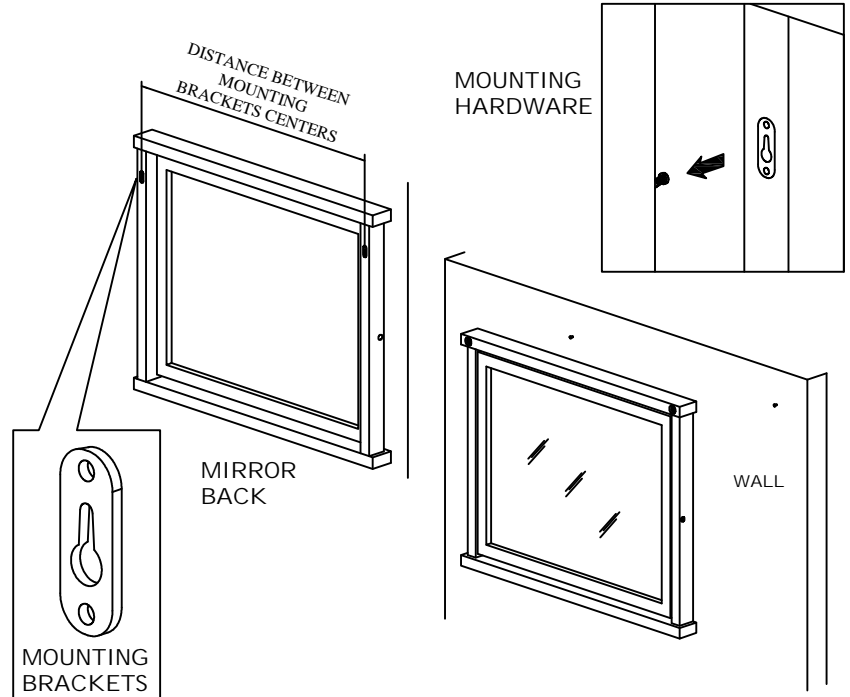
### OPTION 1 FIXING MIRROR ON TO WALL

PRE-INSTALLED MIRROR BRACKETS ARE TEARDROP SHAPED. TEST CONNECTION BETWEEN MIRROR BRACKETS AND MOUNTING HARDWARE BEFORE INSTALLATION FOR A SECURE FIT.

INSTALL MOUNTING HARDWARE ON THE WALL. MAKE SURE THE DISTANCE BETWEEN MOUNTING HARDWARE CENTERS ON THE WALL MATCHES THE DISTANCE BETWEEN BRACKET CENTERS ON THE MIRROR.

CAUTION: WE RECOMMEND INSTALLING MOUNTING HARDWARE IN WALL STUDS OR A BOARD THAT IS SECURED TO STUDS. CONSULT A PROFESSIONAL INSTALLER BEFORE INSTALLING IN DRYWALL.

HANG THE MIRROR FROM THE MOUNTING HARDWARE. ENSURE THE TEARDROP BRACKETS HAVE CAUGHT THE MOUNTING HARDWARE.



### OPTION 2 FIXING MIRROR ON TO 7 DRAWER DRESSER

STEP 1:  
USE PILOT HOLES AS REFERENCE TO CONNECT MIRROR (A) & MIRROR SUPPORT (C) USING ALLEN BOLT (1). TIGHTEN THE BOLTS USING ALLEN KEY (2). REPEAT THE STEP FOR SECOND MIRROR SUPPORT.

STEP 2:  
FOLLOW THE ILLUSTRATION TO FIX MIRROR (A) TO 7 DRAWER DRESSER (B) USING ALLEN BOLTS (1) ON MIRROR SUPPORT FROM BACK SIDE, USE PILOT HOLES AS REFERENCE FOR EASY ASSEMBLY. TIGHTEN THE BOLTS USING ALLEN KEY (2).

