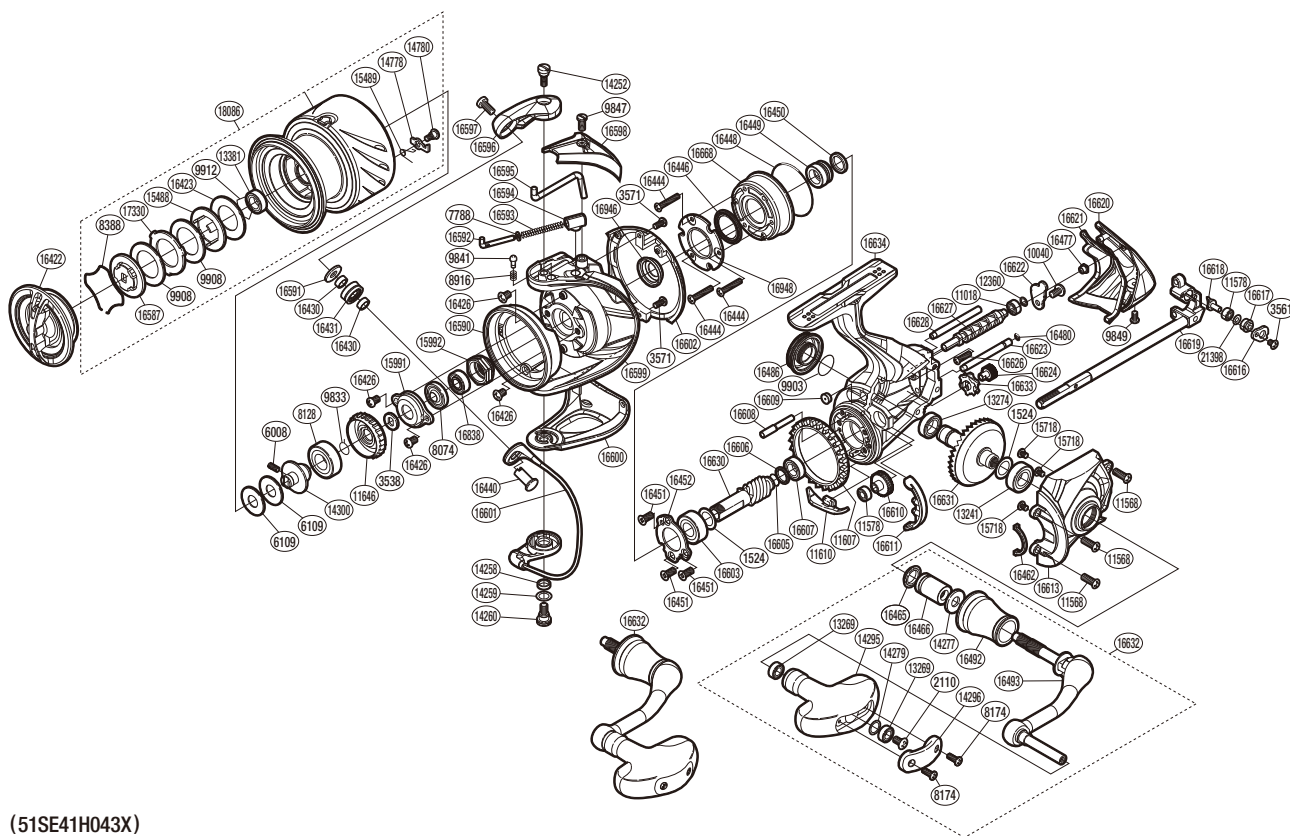


# SHIMANO

## STELLA

## STL-4000XG



(51SE41H043X)

#	Part No.	Description	#	Part No.	Description	#	Part No.	Description
1524	10JDC	Washer	14300	10LTS	Bearing Bushing	16600	10MNK	Bail Hold Support Guard
2110	103E9	Screw	14778	10388	Drag Click	16601	1073L	Bail Assembly
3538	103NX	Spool Support	14780	10A6F	Screw	16602	10749	Rotor Guard
3561	10MT4	Screw	15488	10BBQ	Key Washer	16603	104VF	Ball Bearing
3571	10MPP	Screw	15489	10BQE	Drag Click Spring	16605	108W6	O Ring
6008	10PN2	Set Screw	15718	1055G	Screw	16606	10J6G	Pinion Gear Spacer
6109	10BSJ	Spool Washer	15991	1076P	Rotor Nut Lock Plate	16607	104JV	Ball Bearing
7788	1064R	Spring Guide (A) Support	15992	1080X	Rotor Nut	16608	10CLB	Idle Gear B Shaft
8074	107F2	Bearing Water Proof	16422	102ER	Drag Knob	16609	10AYT	Body Flange Seal
8128	10KXC	Ball Bearing	16423	10C1D	Drag Washer	16610	10HBR	Idle Gear
8174	103NM	Screw	16426	103LB	Screw	16611	10J3P	Friction Ring Spacer
8388	10B8J	Drag Washers Retainer	16430	10GAR	Bearing Spacer	16613	104D5	Side Cover
8916	10CH0	Click Spring	16431	10KXZ	Line Roller	16616	10HAH	Oscillating Pawl Cover
9833	107V2	Ratchet Spring	16440	10Q3J	Line Roller Support	16617	10JXR	Oscillating Slider Bushing
9841	10CHA	Click Pin	16444	10MTG	Screw	16618	106VM	Oscillating Pawl
9847	10CYU	Screw	16446	10MH3	Roller Clutch Water Proof	16619	102J1	Main Shaft Assembly
9849	106ZG	Screw	16448	10MLT	O Ring	16620	10NL5	Rear Protector
9903	108WA	O Ring	16449	107S5	Roller Clutch Inner	16621	107HK	Rear Shield
9908	102ZP	Drag Washer	16450	10H4G	Roller Clutch Inner Spacer	16622	10ATD	Worm Shaft Retainer
9912	10GEW	Bearing Retainer	16451	10ML6	Screw	16623	104MC	Oscillating Guide B
10040	103EA	Screw	16452	10593	Bearing Retainer	16624	106VR	Idle Gear B S
11018	10PDA	Ball Bearing	16462	10CBC	Flange Water Proof	16626	10LPX	Screw
11568	10M2C	Screw	16465	10PXP	Handle Shaft Seal	16627	10688	Worm Shaft
11578	10PC0	Ball Bearing	16466	10PQE	Handle Shaft Cover B	16628	1035M	Oscillating Guide
11607	104FU	Friction Ring	16477	10AYN	Rear Protector Collar	16630	10C23	Pinion Gear
11610	107DZ	Bail Trip Strike	16480	10JAB	O Ring	16631	10ELB	Drive Gear
11646	107PS	Drag Click Ratchet	16492	10C4E	Handle Shaft Cover	16632	10NAV	Handle Assembly
12360	10J7K	Washer	16493	103DN	Handle Shank Assembly	16633	10CQL	Idle Gear B L
13241	104JD	Ball Bearing	16496	10N4H	Handle Screw Cap	16634	1037H	Body
13269	104VX	Ball Bearing	16587	10QBV	Key Washer	16668	10QPJ	Roller Clutch Assembly
13274	104PP	Ball Bearing	16590	10JHL	Rotor Brim	16838	103B3	Main Shaft Spacer
13381	104JT	Ball Bearing	16591	10HWT	Line Roller Plate	16946	103SG	Rotor Ring
14252	109GS	Screw	16592	105YZ	Bail Spring Guide A	16948	10NHU	Roller Clutch Reinforce
14258	10K55	Bail Trip Cam Bushing	16593	105R5	Bail Spring	17330	10BE6	Eared Washer
14259	10G6C	Washer	16594	107AA	Bail Spring Seat	18086	10R66	Spool Assembly
14260	109GU	Screw	16595	106KT	Bail Trip Lever	21398	10RKQ	Washer
14277	10FMF	Large Handle Shank Washer	16596	10KLR	Bail Arm			
14279	10G8G	Washer	16597	10A6V	Screw			
14295	1040Q	Handle Knob	16598	10886	Bail Spring Cover			
14296	10PY1	Handle Knob I.D. Plate	16599	10Q1Q	Rotor	9811	10PBS	Reel Seat Spacer (Accessory)

Please note that the number of adjusting washers may not be the same as shown in the exploded views.  
(Adjustment will vary with each individual product.)

(241212)\_010