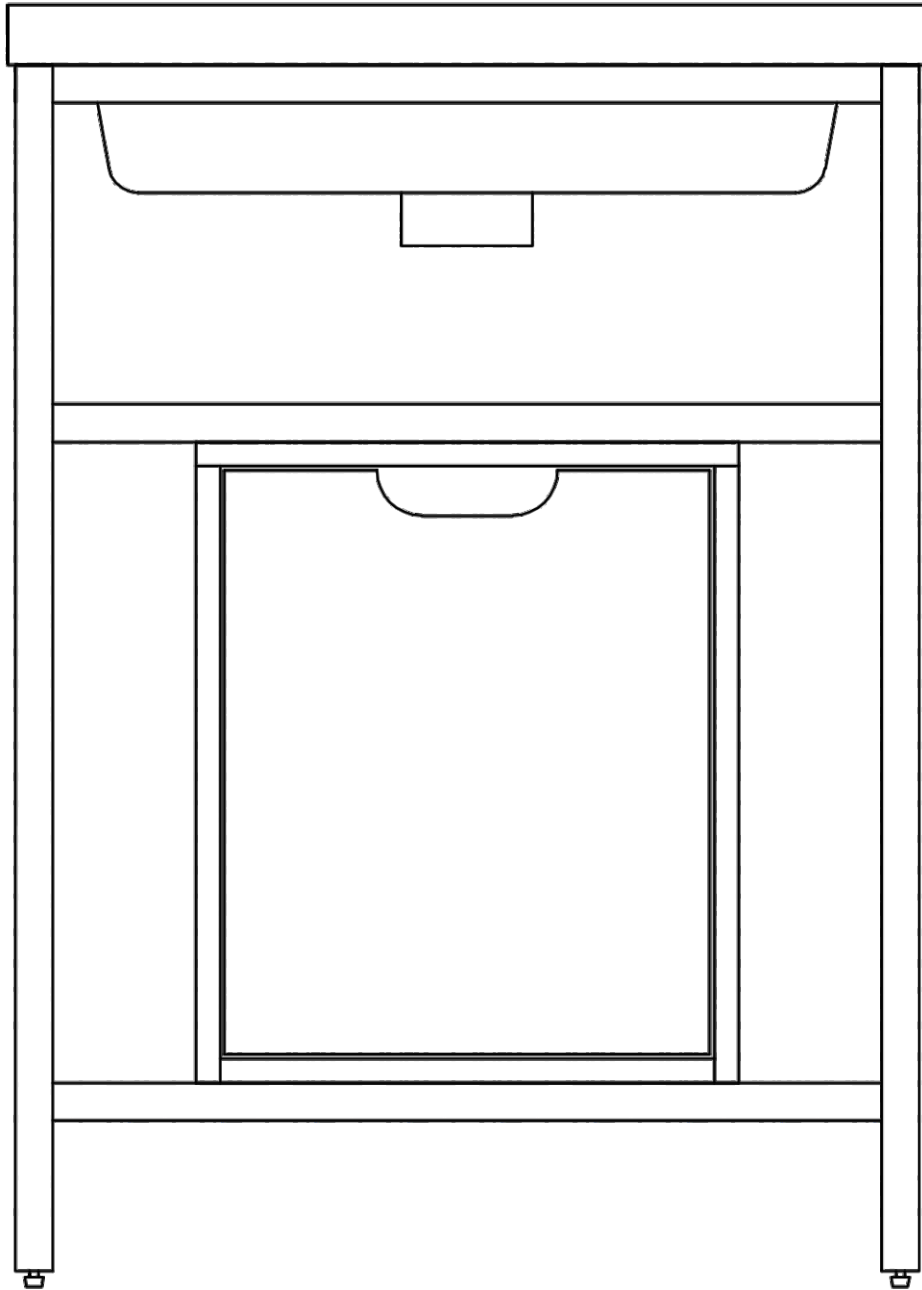


Freestanding Vanity INSTALLATION INSTRUCTIONS

Swiss Madison®
well made forever



@SwissMadison
#WellMadeForever





PRIOR TO INSTALLATION:

- Inspect product to ensure no damages have occurred while in shipping.
- Observe all plumbing and building codes in accordance with your state and local requirements.
- Floor must be level prior to installation of vanity.
- All dimensions are nominal! Be sure to measure your vanity prior to installation.
- The step-by-step guidelines in the installation instructions are a general reference. Should there be any discrepancies, Swiss Madison cannot be held liable. It is recommended to install all Swiss Madison products by hiring a licensed professional.
- Read installation and maintenance instructions thoroughly before installing. Be sure to use proper tools and always wear proper personal safety accessories for your protection.

If you have any questions or concerns please contact us:
 1-434-623-4766
info@swissmadison.com

SUGGESTED TOOLS & MATERIALS:



Safety Glasses



Allen Wrench



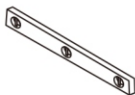
Screwdrivers



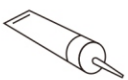
Silicone



Drop Cloth



Level



Adhesive

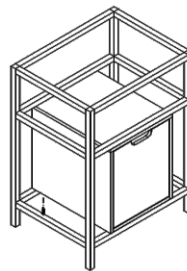


Drill

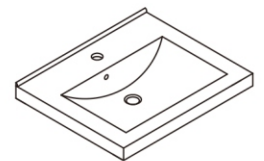


Gloves

INCLUDED PARTS:



Vanity Base



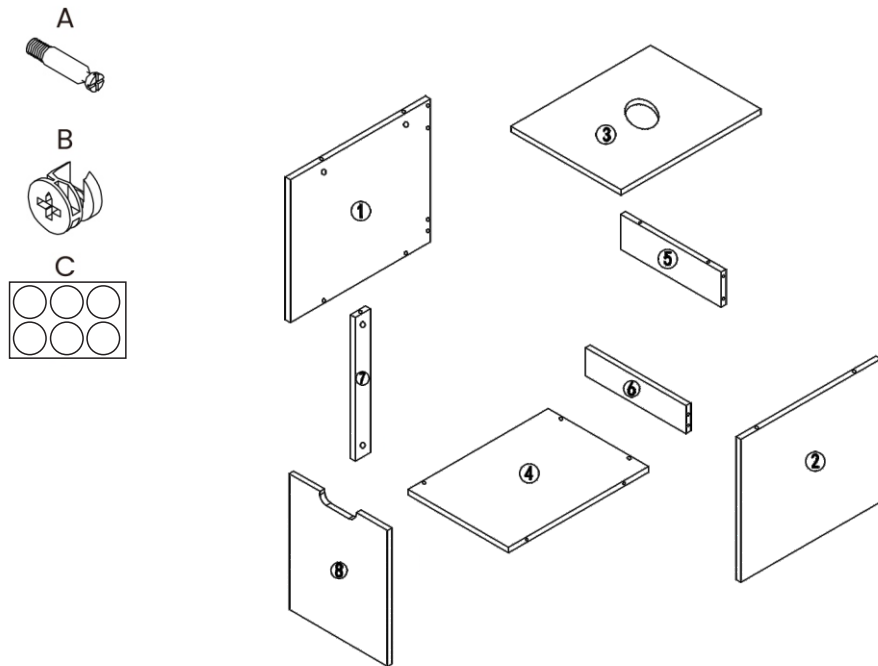
Vanity Sink



Hardware

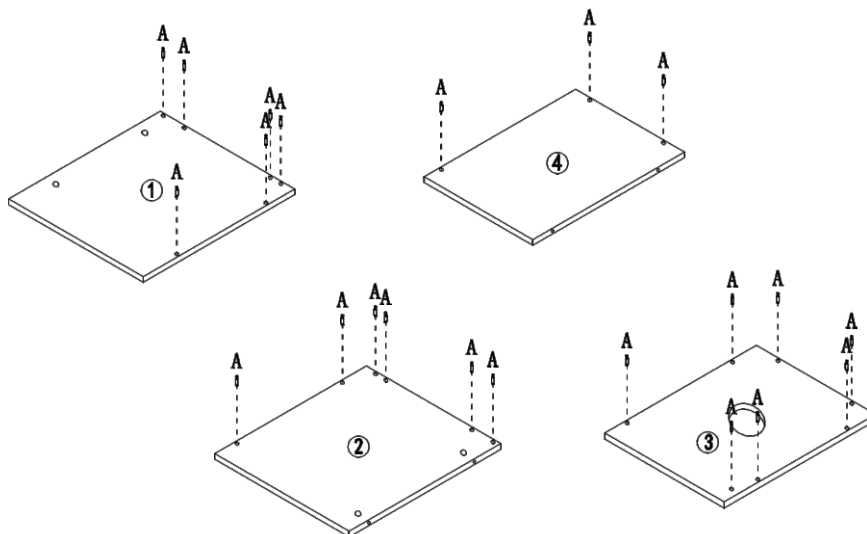
Parts for Reference:

- 1:Left side panel
- 2:Right side panel
- 3:Top panel
- 4:Bottom panel
- 5:Rear top panel
- 6:Rear bottom panel
- 7:Left-side inner panel
- 8:Door panel
- A.Cam bolt
- B.Cam lock
- C.Cam patch



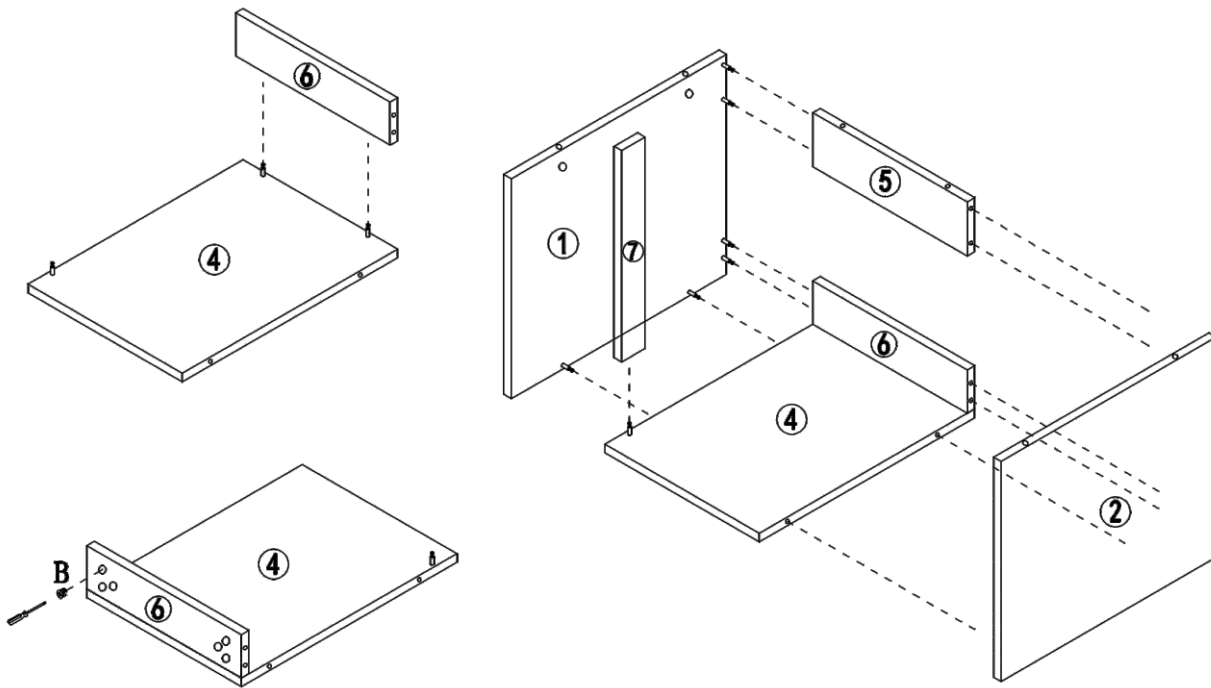
1.Install cabinet panel

- Screw 6 cam bolts (A) into the left side panel(1) .Repeat for the right side panel(2)
- Screw 7 cam bolts(A) into the top panel(3)
- Screw 3 cam bolts(A) into the bottom panel(4)



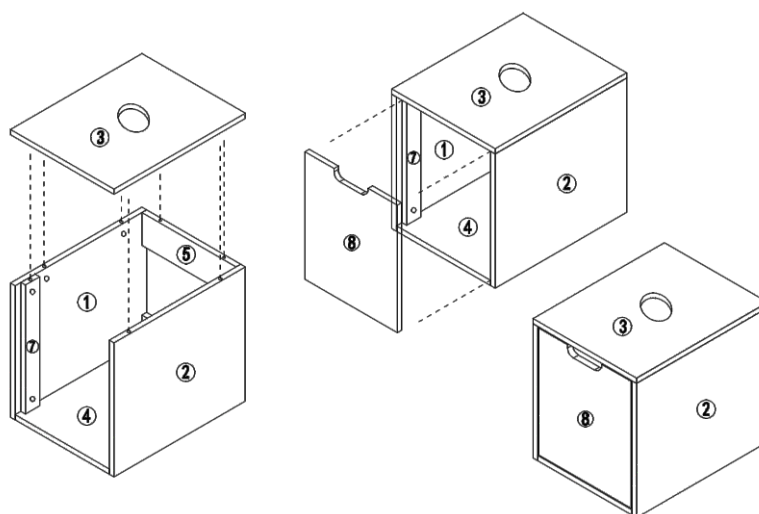
2.Assemble bottom panel

- Connect the Rear bottom panel (6) to the Bottom panel (4) Use 2 cam locks (2) to secure in the place
- Connect the left-side inner panel(7) to the bottom panel(4) Use 1 cam locks (2) to secure in the place
- Attach the bottom panel and rear top panel to the left side panel (1) and secure using 6 cam locks (B)
- Repeat the process to the right side panel (2) using an additional 6 cam locks (B)

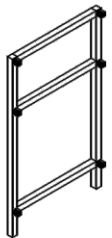


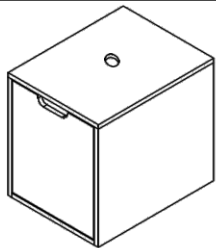




3.Assemble base

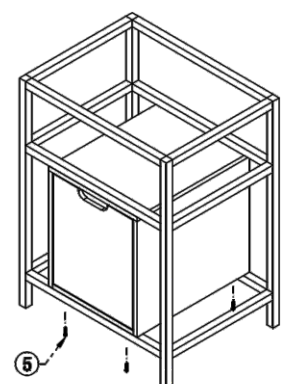
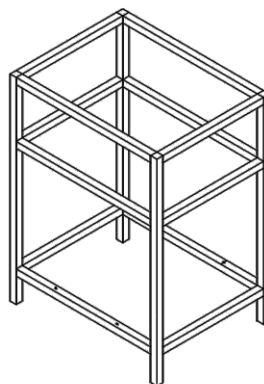
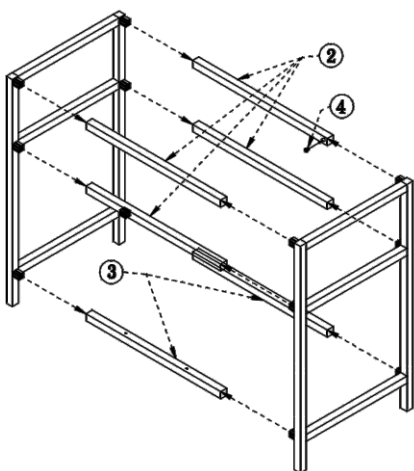
- Attach the Top panel (3) to the side panel and Rear top panel(5) use 7 cam locks (B) to secure in the place
- Connect the door panel(8) to the cabinet base with 3 cam locks(B)



4. Install aluminum frame

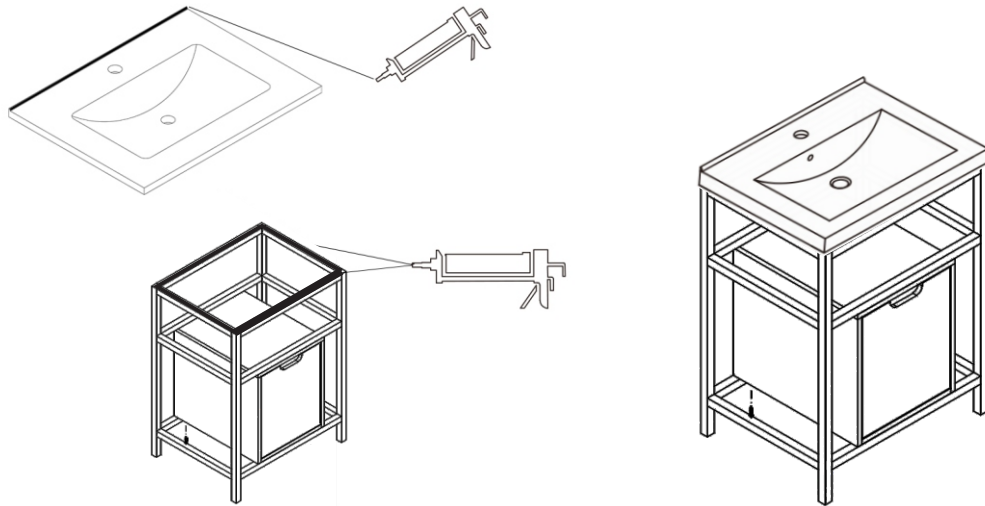
PARTS LIST							
NO.	PARTS	NAME	QTY	NO.	PARTS	NAME	QTY
①		Aluminum frame	2	④		M4x10 screw	12
				⑤		M4x14 screws	6
				⑥		Cabinet body	1
②		25x25x550 Aluminum bar	4	⑥			
③		25x25x550 Aluminum bar with holes	2				

- Connect the 25*25*550 aluminum bar (2) to the aluminum frame (1) use 8 M4*10 screw (4).
- Connect the 25*25*550 aluminum bar (3) to the aluminum frame (1) use 4 M4*10 screw (4).
Note that the aluminum bar with hole (3 is installed at the bottom.
- Attach the cabinet body(6) to the aluminum frame and secure using 6 M4*14 screw (5)



5. Vanity Top Installation

- Install faucet and drain according to manufacturer's installation instructions. Do not overtighten, this may cause the sink to crack.
- Set the vanity top on top of the vanity base, checking the location of the p-trap and drain.
- Remove vanity top from vanity base. Apply a thin bead of silicone around the vanity base and set the vanity top carefully in place.
- Remove excess silicone with a wet cloth.



Wait 24 hours
before use.





1-434-MADISON
(623-4766)

www.swissmadison.com

ONE YEAR LIMITED WARRANTY

Swiss Madison® products are made with quality materials and excellent craftsmanship to provide our customers with beautiful, durable, long-lasting products. Should there be any defects in materials or craftsmanship under regular use that are discovered within the first year of installation, Swiss Madison® will provide replacement parts at no charge, or at its discretion, replace any product or part of the product that is deemed defective, under normal installation, use, service or maintenance. This warranty applies only to the original purchaser. Proof of purchase will be required in the instance of a claim.

Swiss Madison® recommends all installations of Swiss Madison® products to be conducted by a licensed, professional plumber or contractor. Swiss Madison® will not be held responsible for any damage or product failure due to improper installation, misuse, or failure to utilize a licensed professional for installation. Swiss Madison® is not responsible for any installation or removal costs.

This One Year Limited Warranty Will Be Voided If:


- The installation recommendations were not followed by the installer
- The product has been moved from its initial place of installation
- The product has in any way been modified from its packaged state
- The product has been subjected to improper maintenance, abuse, misuse, excessive use of chemicals, accidents, or other damages, etc.

Swiss Madison® makes no implication that its products comply with any local building or plumbing codes. It is the consumer's responsibility and obligation to determine local code compliance prior to and during installation. This warranty extends only to the original purchaser and first consumer.

Swiss Madison® is not responsible for any special, incidental or consequential damages associated with the installation, replacement, return or use of the original purchaser's product. This includes, but is not limited to: freight costs, labor, travel time, lost profit, home damages and other contingent liabilities and costs (including, without limitation, costs associated with 'professionals' or 'experts', investigations, audits, analyses, attorneys and any other professional/hired services).

The Swiss Madison® warranty is a comprehensive and explicit limit of liability. All items not disclosed within the warranty are not addressable within the responsibility of Swiss Madison®. Certain states have variances regarding implied warranties; in those situations, we remain fully compliant.

**If you have any questions or concerns, please contact us directly at
1-434-MADISON (623-4766)**

 **WARNING:** Contents of your order may contain sharp and possibly other harmful pieces and may cause hazard to children and adults. Swiss Madison® is not responsible in any way for personal damages.