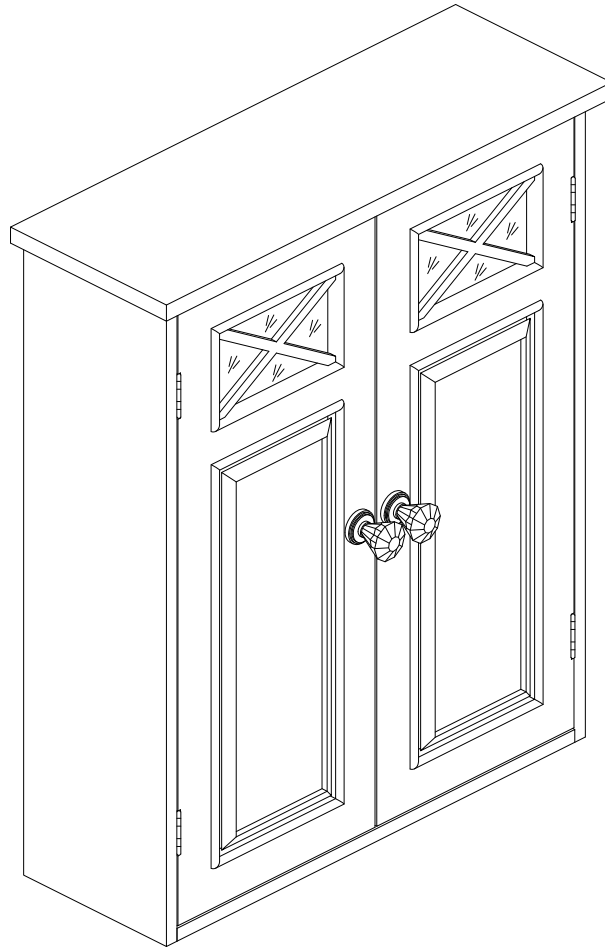


Assembly Instructions

Wall Cabinet with 2 Doors



Please provide the following information when contacting for parts or questions: the name of the company you purchased from, the tracking number of the original package, and the original order date.

We offer free replacements for 1 year (purchase verification required). This replacement policy does not cover used/previously returned product or products sold by unauthorized third party vendors.

ASSEMBLY INSTRUCTIONS - IMPORTANT

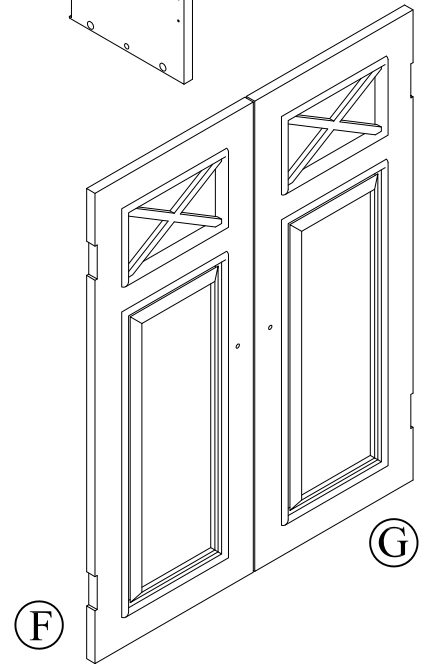
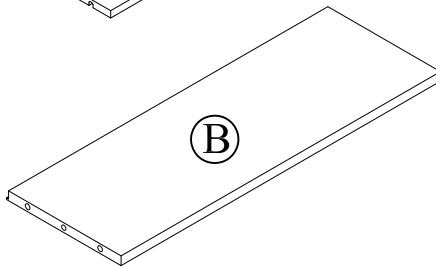
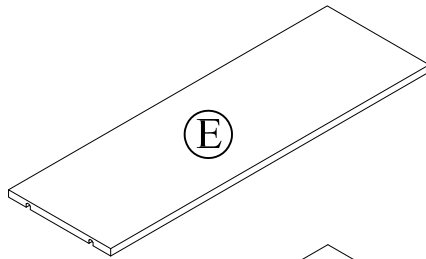
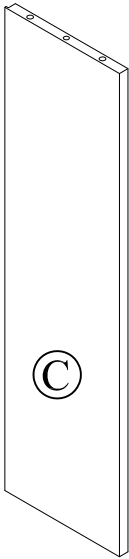
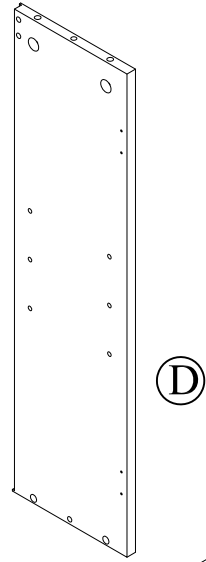
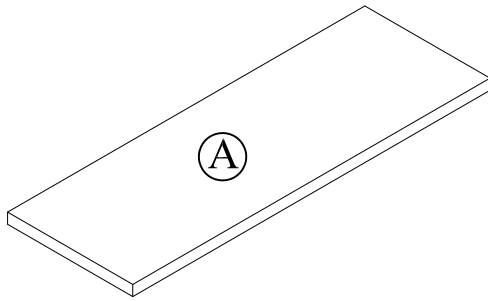
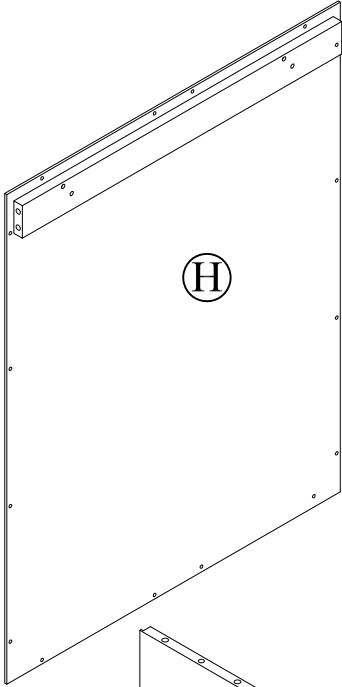
Carefully unpack & identify each component before attempting to assemble. Refer to parts list. Please take care when assembling the unit and always set the parts on a clean, soft surface. If you require any assistance with assembly, parts, please call the company you place order with or please email to: service@eleganthf.net.

INSTRUCCIONES PARA ARMAR - IMPORTANTE :





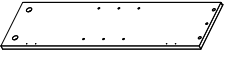

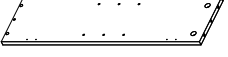
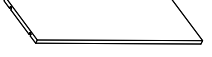
Desempaque cuidadosamente e identifique cada componente antes de tratar de empezar su ensambladura. Verifique la lista de partes. Por favor tenga cuidado cuando arme la unidad y siempre coloque las piezas sobre una superficie plana, suave y limpia. Si necesita ayuda con el armado, envíe un correo electrónico a service@eleganthf.net.

DIRECTIVES DE MONTAGE-IMPORTANT:




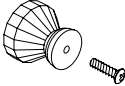




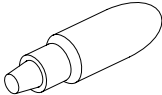
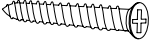
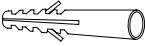
Avant de commencer l'assemblage, déballez délicatement toutes les pièces et repérez-les sur la liste des pièces. Procédez avec soins durant l'assemblage et posez toujours les pièces sur une surface propre, douce et lisse. Si vous plaît e-mail à service@eleganthf.net.



COMPONENTS

PART	FIGURE	DESCRIPTION	QTY	PART	FIGURE	DESCRIPTION	QTY
A		TOP SHELF	1PC	F		LEFT DOOR	1PC
B		BOTTOM SHELF	1PC	G		RIGHT DOOR	1PC
C		SIDE PANEL-LEFT	1PC	H		REAR PANEL	1PC
D		SIDE PANEL-RIGHT	1PC				
E		ADJUSTABLE SHELF	1PC				

HARDWARE & TOOLS

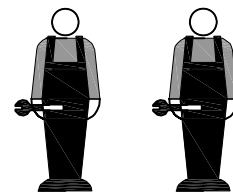
PART	FIGURE	DESCRIPTION	QTY	PART	FIGURE	DESCRIPTION	QTY
1		WOODEN DOWEL	4PCS	6	 Ø3*12 mm	SCREW	8PCS
2		PIN	8PCS	7		KNOB & BOLT	2SETS
3		CAM LOCK	8PCS	8	 Ø3*12 mm	SCREW	14PCS
4		CAM LOCK CAP	8PCS	9		SHELF PIN	4PCS
5		GLUE	1PC	10	 Ø4*50 mm	SCREW	2PCS
				11		ANCHOR	2PCS

TOOL NEEDED:

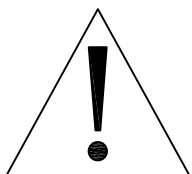


**PHILIPS SCREWDRIVER REQUIRED
- NOT INCLUDED**

SUGGESTION:



TWO PEOPLE FOR ASSEMBLING

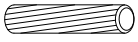


WARNINGS:

1. DO NOT LET ANY SHARP OBJECTS TOUCH OR RUB THE SURFACE OF THE PRODUCT.
2. WHEN ASSEMBLING, DO NOT LET CHILDREN PLAY AROUND THE WORKING AREA.
3. PLEASE CONFIRM ALL PARTS ARE CORRECT BEFORE STARTING THE ASSEMBLY PROCESS.
4. DO NOT TIGHTEN ALL BOLTS AND SCREWS COMPLETELY UNTIL THE ENTIRE UNIT HAS BEEN ASSEMBLED AND SET UP.

1

1



2pcs

2



4pcs

3



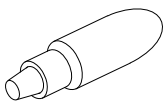
2pcs

4

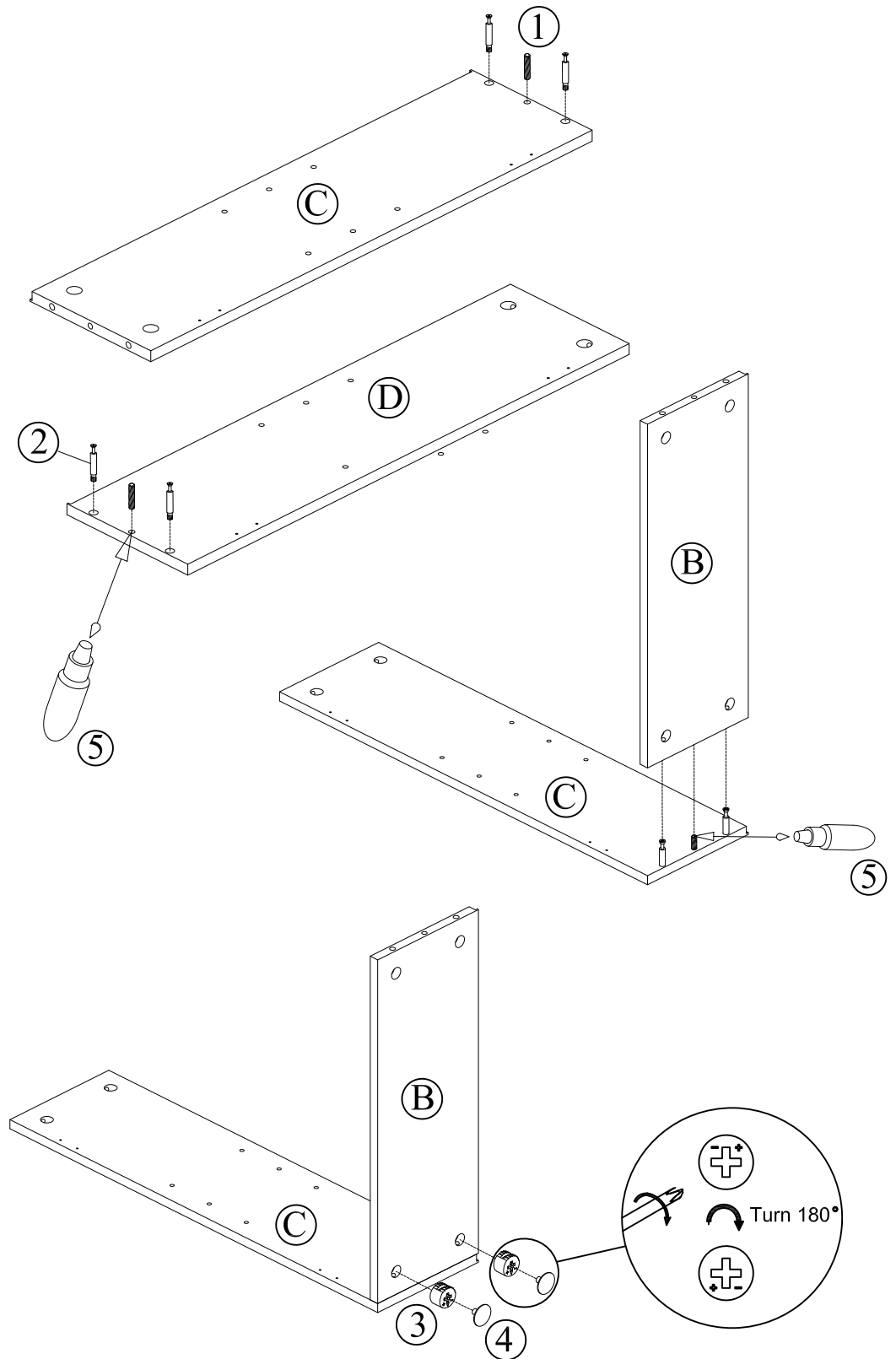


2pcs

5



1pc



STEP 1:

1. Fill dowel hole half way with Glue #5.
Wooden Dowel #1 may push out excess glue-wipe off excess glue.
2. Insert the Wooden Dowel #1 and Pin #2 into the hole on Side Panel-Left C.
3. Connect the Bottom Shelf B to the Side Panel-Left C with the Wooden Dowel #1.
4. Tighten Cam Lock #3 to the Pin #2, insert Cam Lock Cap #4 when finish.

2

1



2pcs

2



4pcs

3



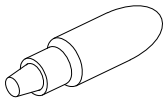
2pcs

4

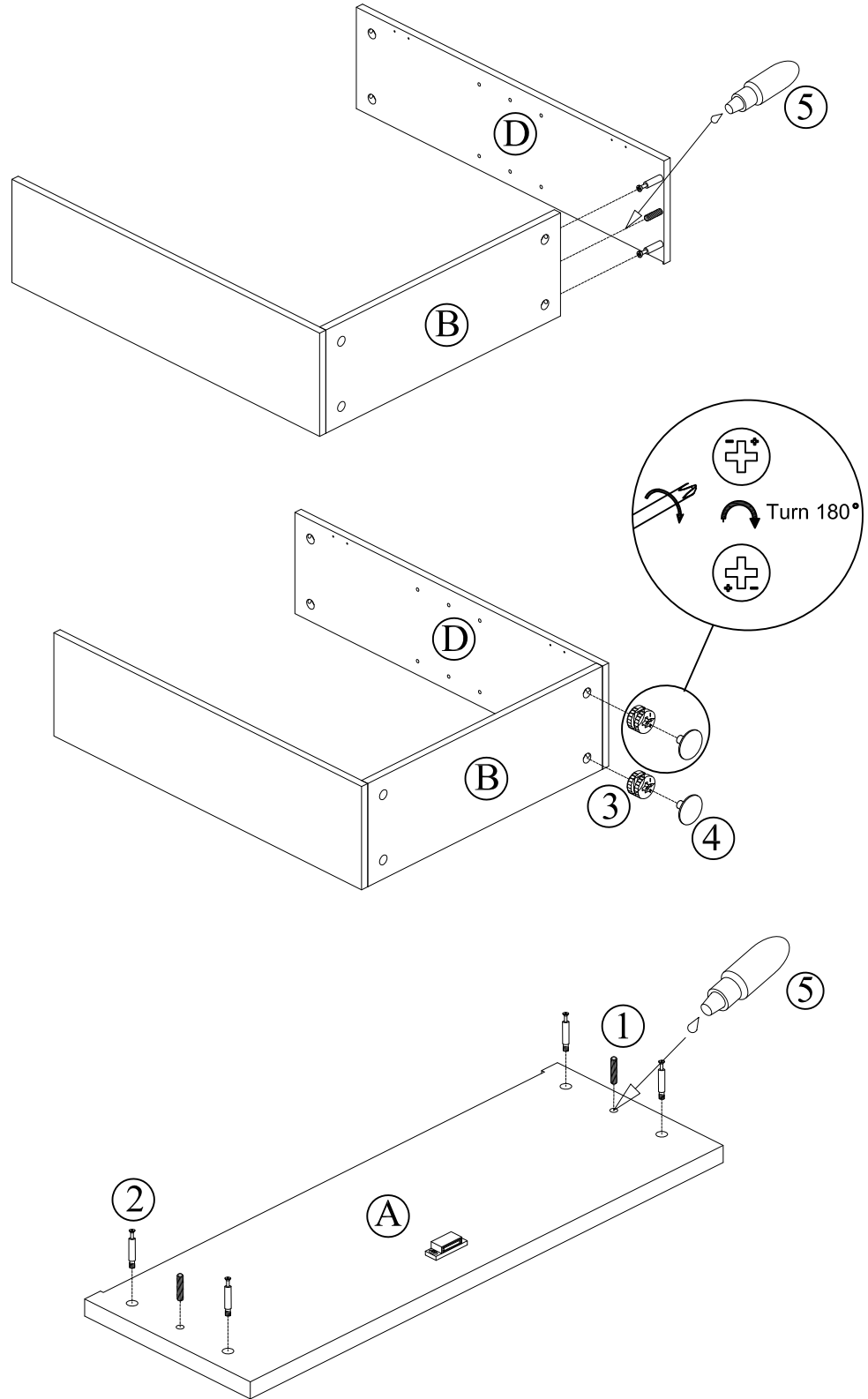


2pcs

5



1pc



STEP 2:

1. Connect the Bottom Shelf B to the Side Panel-Right D with the wooden dowel #1 and pin #2.
2. Insert the cam lock #3 into the hole on Bottom Shelf B, Tighten cam lock #3 to the pin #2, insert Cam Lock Cap #4 when finish.
3. Fill dowel hole half way with Glue #5.
Wooden Dowel #1 may push out excess glue-wipe off excess glue.
4. Insert the Wooden Dowel #1 and Pin #2 into the hole on Top Panel A.

3

3



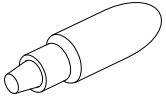
4pcs

4

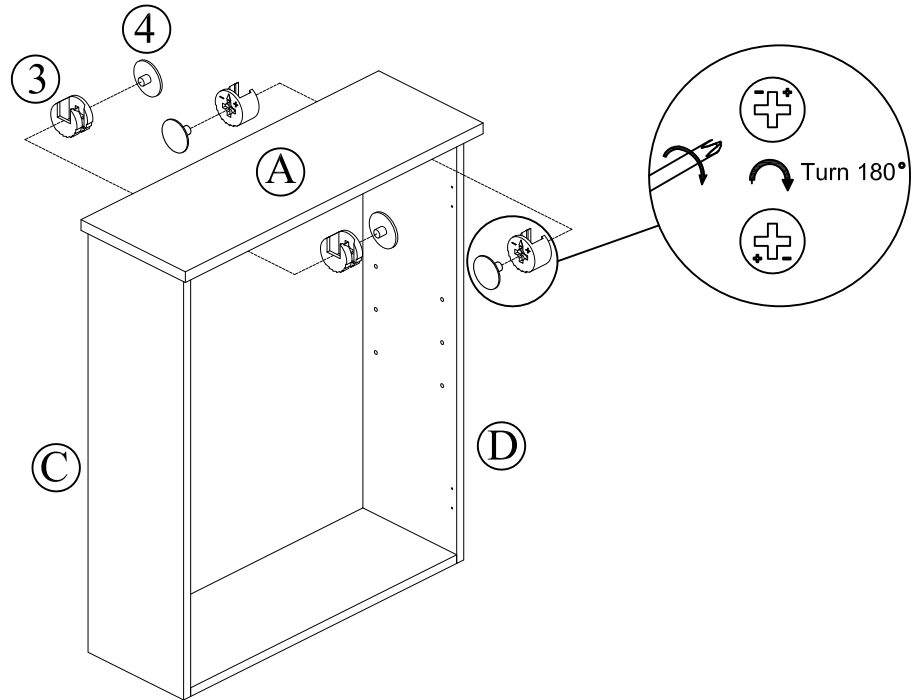
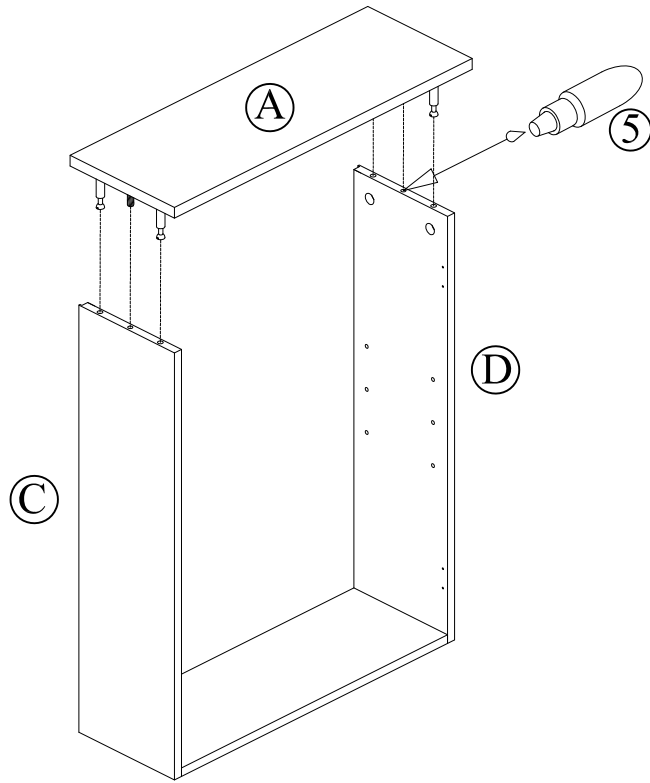


4pcs

9



1pc

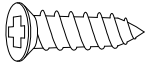


STEP 3:

1. Connect the Top shelf A to the main body.
2. Insert the cam lock #3 into the hole on Side Panel-Left C & Side Panel-Right D.
3. Tighten the cam lock #3 to the pin #2, insert Cam Lock Cap #4 when finish.

4

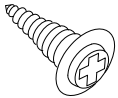
6



8pcs

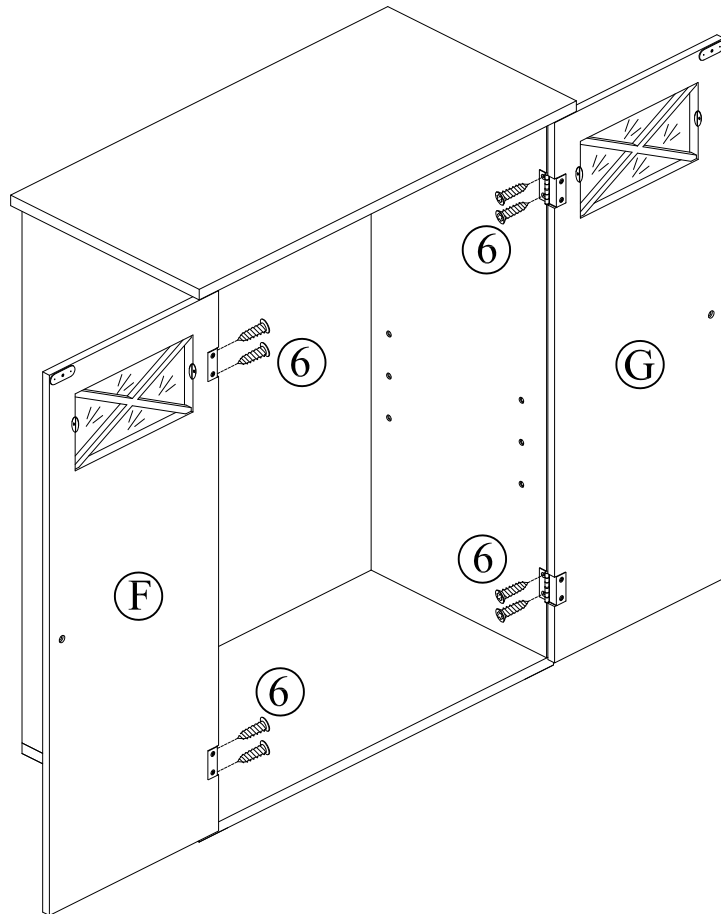
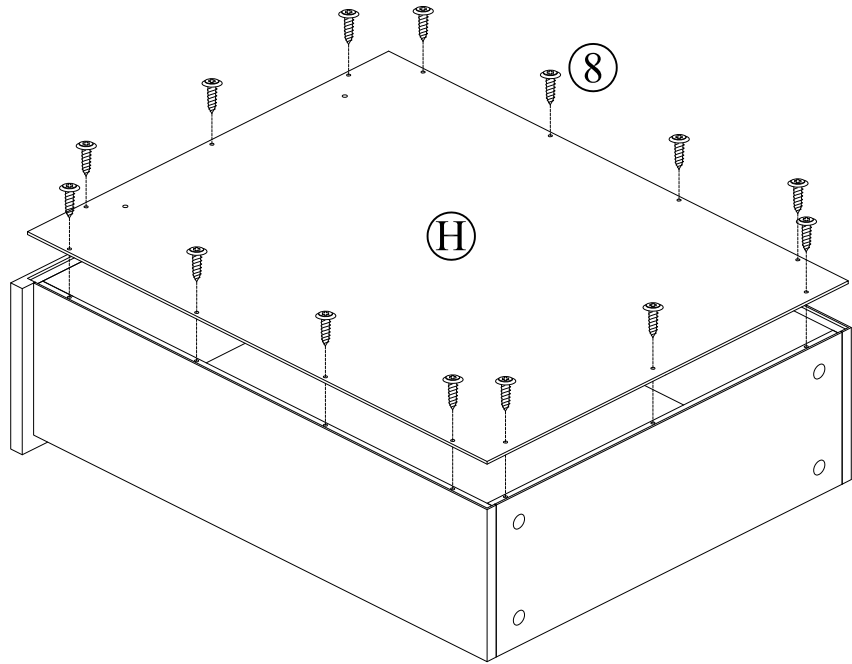
ø3*10 mm

8



14pcs

ø3*12 mm

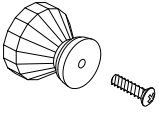


STEP 4:

1. Connect and tighten the Rear Panel H and the main body with the Screw #8.
2. Connect and tighten the Door F and Side Panel-Right D with the Screw #6.

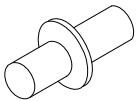
5

7

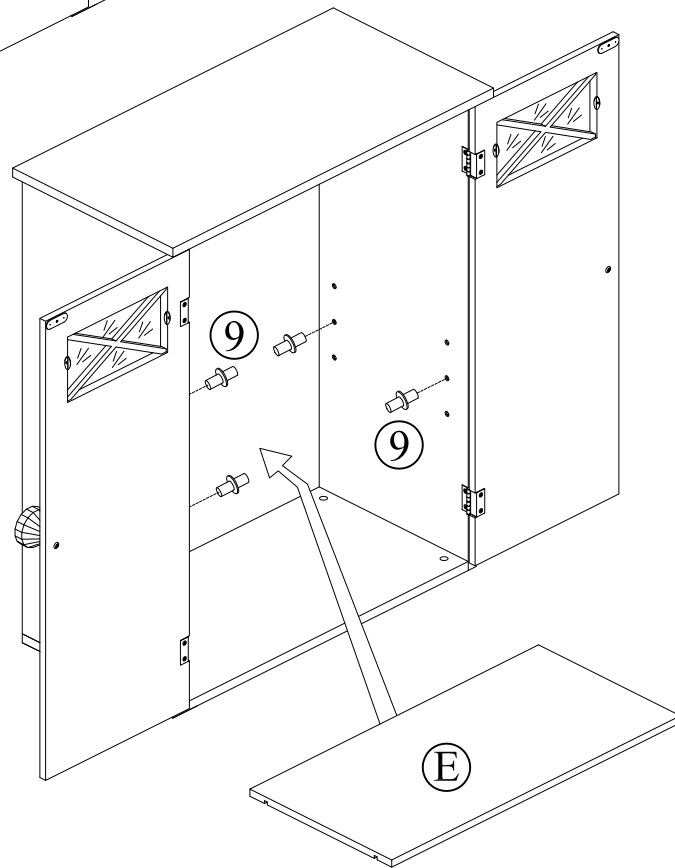
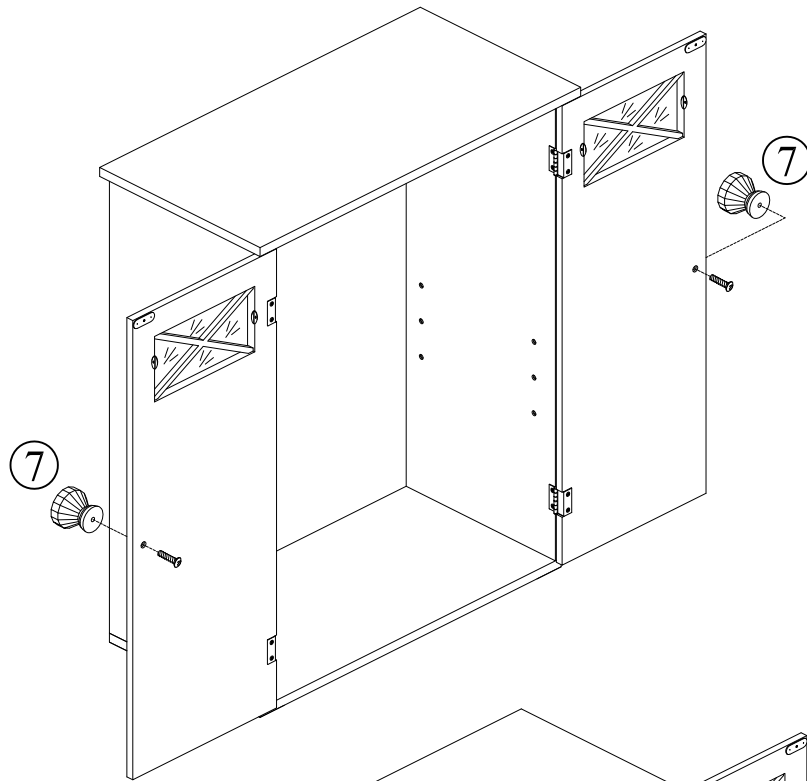


2SETS

9



4pcs



STEP 5:

1. Attach the Knob #7 to the Left Door F & Right Door G with the Bolt #7.
2. Insert the Shelf Pin #9 into the hole on Side Panel-Left C & Side Panel-Right D.
3. Placed the Adjustable Shelf F on the Shelf Pin #9.

