

FLEXSTEEL®

W1047-860

Dresser

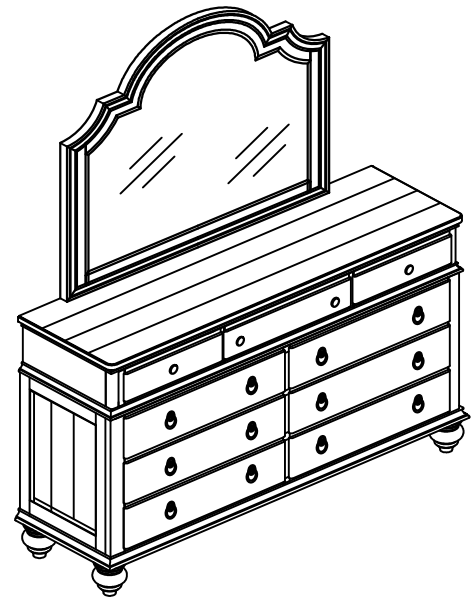
W1047-880

Mirror

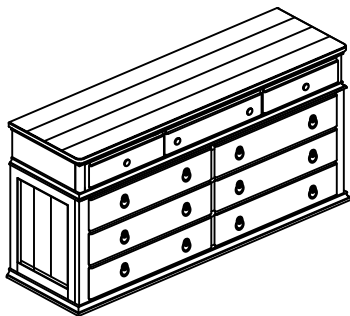
IMPORTANT NOTE

Carefully remove all the parts from the carton and put them individually on a soft cloth to prevent damage to the parts.

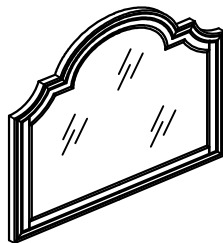
We have taken great care in the design of this product and request that you carefully and strictly follow our assembly instructions to ensure a completed product as it was designed.



Part List



A. Dresser
1 piece



B. Mirror
1 piece



C. Mirror Support
2 pieces

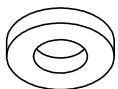


D. Foot
4 pieces



E. Support Leg
1 piece

Hardware List



Flat Washer
8 pieces



Spring Washer
8 pieces



Bolt
8 pieces

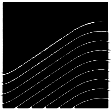


Hex Key
1 piece



Anti-Tipping Device
1 set

Tool(s) recommended for assembly: Level



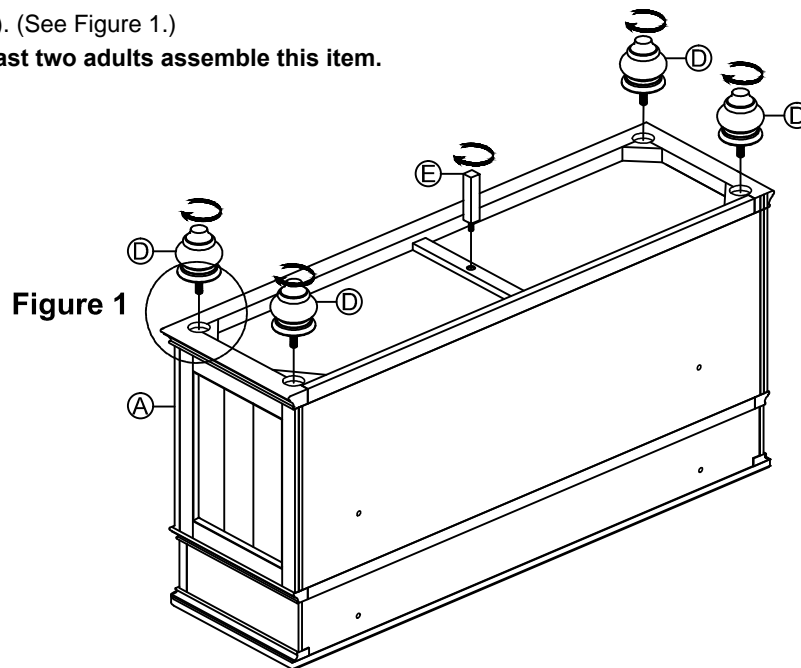
IMPORTANT

- You should keep Hex Key in a safe place as you may need to tighten up the Bolts in the future.
- Use a soft cloth between these parts and the floor.

STEP 1

Place the Dresser (A) upside down on a soft surface and screw in the Feet (D) and Support Leg (E). (See Figure 1.)

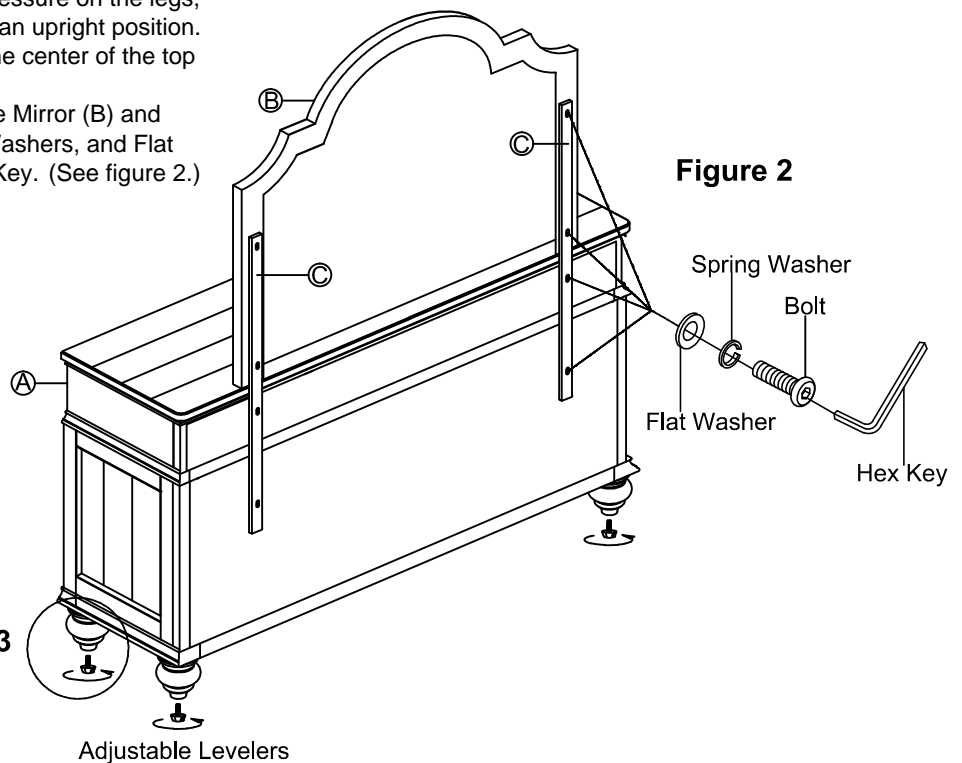
Note: We recommend at least two adults assemble this item.



STEP 2

Taking care not to put any undue pressure on the legs, carefully position the Dresser (A) in an upright position. Carefully position the Mirror (B) in the center of the top of the Dresser (A).

Attach the Mirror Supports (C) to the Mirror (B) and Dresser (A) with the Bolts, Spring Washers, and Flat Washers, and tighten with the Hex Key. (See figure 2.)



STEP 3

Adjust the levelers on the feet until the furniture is level. (See Figure 3.)

Figure 3

