

TECHNICAL SPECIFICATIONS



22 SEER2 DUCTLESS HEAT PUMP



FEATURES AND BENEFITS

- Efficient and contemporary looking indoor units
- Available capacities : 12,000 BTU/h, 18,000 BTU/h, 24,000 BTU/h
- Energy Star & NEEP certified
- All indoor units compatible to Multi-zone Outdoor unit
- Operating range -25°C (-13°F) to 50°C (122°F)
- Wi-Fi kit included
- Includes a stylish remote control for conveniently adjusting settings such as Sleep Mode, LED light, room temperature, and turning the unit on/off. Also includes "Follow Me" feature.
- High efficiency rating, 22 SEER2

ENVIRONMENTALLY RESPONSIBLE

22 SEER2 Ductless Heat Pumps are ranked among the most energy-efficient and cost-effective ways of heating and cooling a home. Continental's ductless heat pumps use a high efficiency direct current compressor motor for a smooth, quiet operation that reduces energy consumption.

NOMENCLATURE

CDHAS22 - 22 SEER2
HEAT PUMP SERIES

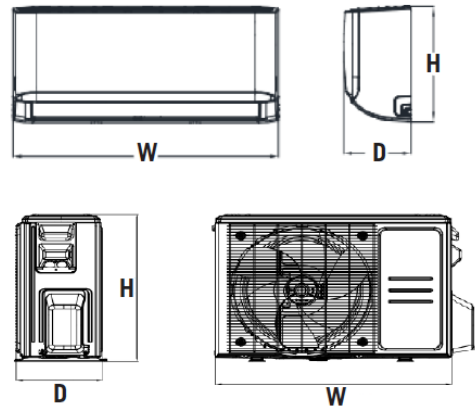


C	D	H	A	S	22	-	24	-	I
Brand	Configuration	Type (Heat Pump/or Cool Only)	Sales Channel	Single/ Multi	Efficiency		Capacity in 000 BTU/h		Indoor/ Outdoor
C = Continental	Ductless	Heat Pump	Distribution	Single	22 = 22 SEER2		12 or 18 or 24		I = Indoor O = Outdoor

DUCTLESS SPECIFICATIONS

DIMENSIONS

INDOOR UNIT INFORMATION	CDHAS22-12-I	CDHAS22-18-I	CDHAS22-24-I
Width (mm/in)	802/31.6	1083/42.64	1082/42.64
Depth (mm/in)	200/7.87	244/9.61	234/9.22
Height (mm/in)	295/11.61	315/13.23	337/13.29
Net weight (lb/kg)	18.7/8.5	29.54/13.4	29.98/13.6
Gross weight (lb/kg)	24.25/11	37.48/17	38.14/17.3
OUTDOOR UNIT INFORMATION	CDHAS22-12-O	CDHAS22-18-O	CDHAS22-24-O
Width (mm/in)	765/30.12	890/35.04	946/37.24
Depth (mm/in)	303/11.93	342/13.46	410/16.14
Height (mm/in)	555/21.85	673/26.5	810/31.89
Net weight (lb/kg)	63.71/28.9	94.36/42.8	124.78/56.6
Gross weight (lb/kg)	69/31.3	100.97/45.8	134.92/61.2



SYSTEM DATA

	CDHAS22-12	CDHAS22-18	CDHAS22-24
	CDHAS22-12 Ductless Heat Pump - Shipped in 2 PCS. CDHAS22-12-I, CDHAS22-12-O	CDHAS22-18 Ductless Heat Pump - Shipped in 2 PCS. CDHAS22-18-I, CDHAS22-18-O	CDHAS22-24 Ductless Heat Pump - Shipped in 2 PCS. CDHAS22-24-I, CDHAS22-24-O
AHRI NUMBER	213386538	213386540	213386535
INDOOR SKU	CDHAS22-12-I	CDHAS22-18-I	CDHAS22-24-I
OUTDOOR SKU	CDHAS22-12-O	CDHAS22-18-O	CDHAS22-24-O
Cooling Capacity Rated BTU (Range)	12000 (3600~13300)	18000 (1980~19500)	24000 (9200~25000)
Heating Capacity Rated BTU (Range)	12000 (4500~13500)	18000 (6620~21200)	26000 (10350~26410)
SEER2	23.1	24	21
HSPF2 (REGION IV)	10.8	10.5	8.5
EER2	13	13.5	13
HSPF2 (REGION V)	8	7.9	6.3
Dehumidify (L/h)	1.34	1.55	2.57
Voltage	208/230V,1Ph,60Hz	208/230V,1Ph,60Hz	208/230V,1Ph,60Hz
Indoor noise level (Hi/Mi/Lo) dBA	42/36/25	45.5/41/24.5	48/40/28
Outdoor noise level dBA	54.5	59	62
Compressor & Parts Limited Warranty	10 years	10 years	10 years
Max. refrigerant pipe length (m)	25	30	50
Max. refrigerant pipe length (ft)	82.02	98.42	164.04
Max. difference in elevation (m)	10	20	25
Max. difference in elevation (ft)	32.81	65.62	82.02
Refrigeration GAS PIPE (mm/inch)	12.7mm(1/2in)	12.7mm(1/2in)	15.9mm(5/8in)
Refrigeration LIQUID PIPE (mm/in)	6.35mm(1/4in)	6.35mm(1/4in)	9.52mm(3/8in)
Heating at 17°F (-8.33°C) BTU	10000	14100	17400
Heating at 5°F (-15°C) BTU	8400	12800	16700
Heating at 5°F (-15°C) COP	2.41	2.44	1.9
Connection Wiring	14AWG*4 Stranded, unshielded	14AWG*4 Stranded, unshielded	14AWG*4 Stranded, unshielded
Refrigerant Gas (oz/kg)	R410A 38.1/1.08	R410A 56.44/1.6	R410A 82.89/2.35
Additional charge per metre (oz/ft)(g/m)	0.16/15	0.16/15	0.32/30
Compressor	Rotary	Rotary	Rotary
MAX FUSE (A)	15	30	30
Minimum Circuit Capacity	13	19	22
Rated Cooling Current (A)	4.05	5.94	8.02
Rated Heating Current (A)	4.5	6.31	10.35
Indoor air flow (Hi/Mi/Lo) CFM	291.35/194.23/153.03	530.9/459.09/382.57	601.53/459.09/382.57
Outdoor air flow CFM	1294.12	2058.82	2235.29
Outdoor Cooling Range	-25°C (-13°F) to 50°C (122°F)	-25°C (-13°F) to 50°C (122°F)	-25°C (-13°F) to 50°C (122°F)
Indoor(cooling/ heating)	16~32/0~30	17~32/0~30	17~32/0~30
Outdoor(cooling/heating)	-25~50/-25~24	-30~50/-30~30	-30~50/-30~24

10 YEAR PARTS LIMITED WARRANTY

10 YEAR COMPRESSOR LIMITED WARRANTY



PERFORMANCE DATA – COOLING

DB – Dry Bulb WB – Wet Bulb TC – Total Net Capacity (1000 Btu/hour) SC – Sensible Capacity (1000 Btu/hour) Input – Total Power (kW)

COOLING		OUTDOOR CONDITIONS (DB)																			
		INDOOR		-13°F	-4°F	0°F	5°F	17°F	25°F	35°F	47°F	55°F	65°F	75°F	80°F	85°F	95°F	105°F	110°F	115°F	122°F
DB	WB		-25°C	-20°C	-17.8°C	-15°C	-8.3°C	-3.9°C	1.7°C	8.3°C	12.8°C	18.3°C	24°C	26.7°C	29.4°C	35°C	40.5°C	43.3°C	46°C	50°C	
COHAS22-12-I / CDHAS22-12-0	65°F (18.3°C)	54°F (12.2°C)	TC	10.12	10.82	10.74	10.93	11.10	11.17	11.28	11.07	11.10	11.28	11.10	11.06	11.37	11.99	11.30	10.60	9.80	8.69
			SC	6.63	7.26	7.29	7.48	7.86	8.00	8.46	8.23	8.67	8.73	8.76	8.81	9.05	9.80	9.75	9.55	9.16	8.70
			Input	0.57	0.66	0.67	0.72	0.74	0.77	0.79	0.83	0.86	0.90	0.94	0.99	1.09	1.23	1.20	1.16	1.19	1.20
	70°F (21.1°C)	63°F (17.2°C)	TC	10.58	11.33	11.32	11.44	11.59	11.84	11.79	11.69	11.60	11.79	11.72	11.73	12.09	12.49	11.84	11.22	10.29	9.12
			SC	6.89	7.55	7.64	7.79	8.16	8.44	8.80	8.63	9.01	9.08	9.19	9.28	9.57	10.15	10.16	10.05	9.56	9.10
			Input	0.57	0.65	0.67	0.72	0.74	0.77	0.78	0.82	0.85	0.89	0.95	0.98	1.09	1.20	1.20	1.17	1.19	1.20
	75°F (23.9°C)	63°F (17.2°C)	TC	11.23	11.87	12.00	12.06	12.18	12.43	12.47	12.33	12.31	12.30	12.33	12.40	12.59	13.19	12.40	11.85	10.85	9.59
			SC	7.28	7.88	8.07	8.16	8.52	8.82	9.25	9.06	9.51	9.42	9.63	9.76	9.93	10.67	10.59	10.56	10.02	9.53
			Input	0.57	0.65	0.68	0.71	0.75	0.76	0.78	0.83	0.86	0.89	0.95	0.98	1.07	1.21	1.18	1.17	1.19	1.20
	80°F (26.7°C)	67°F (19.4°C)	TC	11.95	12.44	12.63	12.83	12.93	13.11	13.26	12.98	13.00	13.02	13.04	13.06	13.39	13.74	13.09	12.37	11.43	10.11
			SC	7.69	8.21	8.44	8.63	9.00	9.24	9.79	9.49	9.98	9.91	10.12	10.22	10.50	11.05	11.13	10.96	10.49	9.99
			Input	0.58	0.64	0.67	0.71	0.75	0.77	0.80	0.83	0.86	0.90	0.95	0.99	1.14	1.19	1.19	1.17	1.19	1.18
COHAS22-18-I / CDHAS22-18-0	65°F (18.3°C)	54°F (12.2°C)	TC	15.81	16.89	16.63	17.01	17.48	17.25	17.55	17.53	17.89	18.21	18.53	18.85	18.03	16.57	16.52	15.23	14.16	12.92
			SC	9.96	11.03	11.43	11.94	12.23	12.17	12.52	12.75	13.94	14.16	14.50	14.83	13.97	13.49	13.89	13.54	13.23	12.87
			Input	0.57	0.66	0.68	0.73	0.77	0.81	0.90	1.00	1.06	1.11	1.17	1.24	1.45	1.65	1.72	1.64	1.72	1.76
	70°F (21.1°C)	59°F (15°C)	TC	16.73	17.80	17.61	17.95	18.43	18.35	18.64	18.30	18.82	19.09	19.69	19.88	18.86	17.61	17.25	16.10	14.89	13.73
			SC	10.48	11.55	12.03	12.53	12.84	12.86	13.21	13.25	14.59	14.77	15.32	15.57	14.53	14.25	14.42	14.23	13.85	13.63
			Input	0.57	0.66	0.68	0.73	0.77	0.82	0.90	0.99	1.05	1.11	1.17	1.23	1.45	1.65	1.69	1.65	1.72	1.79
	75°F (23.9°C)	63°F (17.2°C)	TC	17.69	18.54	18.50	18.89	19.30	19.44	19.70	19.32	19.64	20.29	20.62	20.91	20.02	18.65	17.96	16.88	15.74	14.40
			SC	11.01	11.96	12.56	13.10	13.38	13.55	13.89	13.92	15.14	15.62	15.96	16.27	15.33	15.01	14.94	14.82	14.55	14.25
			Input	0.58	0.65	0.68	0.72	0.77	0.83	0.91	0.99	1.05	1.12	1.17	1.23	1.46	1.68	1.69	1.65	1.71	1.79
	80°F (26.7°C)	67°F (19.4°C)	TC	18.60	19.37	19.68	19.97	20.23	20.42	20.58	20.29	20.72	21.13	21.57	22.01	20.85	19.68	18.75	17.71	16.55	15.13
			SC	11.51	12.42	13.31	13.78	13.94	14.15	14.43	14.53	15.87	16.19	16.59	17.03	15.87	15.74	15.49	15.48	15.22	14.89
			Input	0.59	0.65	0.69	0.72	0.77	0.83	0.91	0.99	1.05	1.10	1.17	1.24	1.57	1.68	1.67	1.64	1.71	1.80
COHAS22-24-I / CDHAS22-24-0	65°F (18.3°C)	54°F (12.2°C)	TC	24.26	25.51	26.03	26.11	27.32	27.75	28.05	26.87	27.12	26.93	26.22	26.08	26.72	28.11	26.20	25.01	23.52	21.30
			SC	15.17	16.64	17.45	18.14	19.73	19.51	20.59	19.62	20.62	20.68	20.77	20.94	21.07	22.44	21.86	21.95	22.22	21.21
			Input	1.15	1.31	1.41	1.43	1.55	1.59	1.69	1.75	1.80	1.88	1.88	1.95	2.43	3.24	3.11	3.13	3.27	3.28
	70°F (21.1°C)	59°F (15°C)	TC	25.35	26.74	27.43	27.51	28.98	29.03	29.62	28.38	28.28	28.43	27.80	27.74	28.09	29.31	27.47	26.27	24.86	22.35
			SC	15.78	17.35	18.27	18.99	20.83	20.28	21.61	20.60	21.37	21.72	21.90	22.16	22.02	23.29	22.79	22.91	23.38	22.17
			Input	1.14	1.30	1.40	1.43	1.56	1.60	1.70	1.74	1.79	1.87	1.90	1.95	2.43	3.23	3.13	3.12	3.30	3.27
	75°F (23.9°C)	63°F (17.2°C)	TC	26.82	28.00	28.76	29.20	30.50	30.24	31.08	29.84	29.76	29.99	29.32	29.23	29.73	30.72	28.73	27.59	26.14	23.72
			SC	16.60	18.07	19.04	20.07	21.81	21.03	22.54	21.55	22.37	22.77	22.99	23.24	23.18	24.29	23.69	23.94	24.47	23.44
			Input	1.14	1.28	1.39	1.43	1.56	1.57	1.70	1.75	1.81	1.87	1.90	1.97	2.44	3.21	3.12	3.14	3.28	3.30
	80°F (26.7°C)	67°F (19.4°C)	TC	28.50	29.69	30.17	30.61	31.77	32.10	32.44	31.61	31.43	31.24	31.06	30.87	31.49	32.21	30.47	28.99	27.29	24.87
			SC	17.56	19.06	19.89	20.91	22.59	22.18	23.42	22.70	23.51	23.59	24.23	24.39	24.44	25.31	24.98	24.99	25.38	24.47
			Input	1.17	1.30	1.37	1.44	1.53	1.60	1.67	1.75	1.80	1.85	1.90	1.96	2.99	3.18	3.12	3.11	3.23	3.31

PERFORMANCE DATA — HEATING

DB – Dry Bulb

TC – Total Net Capacity (1000 Btu/hour)

SC – Sensible Capacity (1000 Btu/hour)

Input – Total Power (kW)

HEATING		OUTDOOR CONDITIONS (DB)														
INDOOR CONDITIONS DB		-13°F	-4°F	0°F	5°F	10°F	17°F	20°F	25°F	32°F	35°F	40°F	47°F	50°F	57°F	
		-25°C	-20°C	-17.8°C	-15°C	-12.2°C	-8.3°C	-6.7°C	-3.9°C	0°C	1.7°C	4.4°C	8.3°C	10°C	13.9°C	
CDHAS22-12-1 / CDHAS22-12-0	60°F (15.6°C)	TC	6.79	7.55	7.87	8.17	9.30	10.44	11.22	11.93	12.67	13.24	13.96	14.61	15.04	15.34
		Input	1.17	1.11	1.09	1.07	1.13	1.17	1.22	1.25	1.28	1.31	1.29	1.25	1.21	1.19
	65°F (18.3°C)	TC	6.58	7.29	7.61	7.97	9.03	10.19	10.84	11.56	12.31	12.90	13.49	14.19	14.54	14.94
		Input	1.20	1.13	1.12	1.09	1.16	1.20	1.26	1.28	1.32	1.35	1.32	1.29	1.25	1.22
	70°F (21.1°C)	TC	6.37	7.08	7.39	7.70	8.81	9.84	10.54	11.21	11.90	12.52	13.13	13.80	14.12	14.49
		Input	1.23	1.17	1.14	1.11	1.19	1.24	1.28	1.32	1.36	1.38	1.35	1.33	1.29	1.26
	75°F (23.9°C)	TC	6.10	6.82	7.08	7.35	8.44	9.43	10.17	10.71	11.39	11.95	12.61	13.30	13.62	13.97
		Input	1.26	1.20	1.18	1.15	1.22	1.27	1.31	1.37	1.40	1.43	1.39	1.37	1.33	1.30
CDHAS22-18-1 / CDHAS22-18-0	60°F (15.6°C)	TC	11.34	12.72	13.32	13.72	15.72	17.48	18.16	18.83	19.60	20.18	22.23	23.96	24.44	25.21
		Input	1.61	1.52	1.49	1.44	1.62	1.81	1.85	1.86	1.90	1.91	1.80	1.74	1.68	1.64
	65°F (18.3°C)	TC	11.06	12.36	12.96	13.39	15.19	16.99	17.72	18.34	18.94	19.59	21.48	23.31	23.84	24.40
		Input	1.65	1.56	1.52	1.48	1.65	1.85	1.89	1.90	1.95	1.96	1.83	1.78	1.72	1.68
	70°F (21.1°C)	TC	10.79	11.99	12.55	13.03	14.70	16.51	17.14	17.73	18.38	18.98	20.83	22.54	23.12	23.67
		Input	1.68	1.60	1.56	1.53	1.71	1.90	1.93	1.96	1.99	2.02	1.89	1.82	1.77	1.73
	75°F (23.9°C)	TC	10.37	11.57	12.00	12.45	14.11	15.81	16.44	17.10	17.69	18.19	19.92	21.60	22.31	22.72
		Input	1.73	1.65	1.61	1.58	1.76	1.95	1.99	2.02	2.06	2.08	1.94	1.88	1.82	1.79
CDHAS22-24-1 / CDHAS22-24-0	60°F (15.6°C)	TC	13.92	15.44	16.12	16.75	18.83	20.96	21.26	21.83	22.23	22.40	27.83	33.76	34.45	35.79
		Input	2.90	2.76	2.68	2.64	2.59	2.59	2.60	2.63	2.62	2.64	2.85	3.00	2.91	2.87
	65°F (18.3°C)	TC	13.54	14.93	15.62	16.25	18.19	20.35	20.72	21.23	21.48	21.83	27.01	32.84	33.58	34.78
		Input	2.97	2.82	2.73	2.69	2.66	2.65	2.66	2.70	2.70	2.72	2.92	3.07	3.00	2.93
	70°F (21.1°C)	TC	13.09	14.54	15.11	15.80	17.66	19.71	20.12	20.51	20.89	21.26	26.20	32.00	32.72	33.60
		Input	3.03	2.89	2.82	2.75	2.73	2.72	2.74	2.76	2.78	2.79	2.98	3.16	3.07	3.00
	75°F (23.9°C)	TC	12.55	13.96	14.55	15.19	16.88	18.89	19.39	19.61	20.04	20.41	25.23	30.88	31.55	32.16
		Input	3.14	2.98	2.90	2.83	2.81	2.80	2.84	2.84	2.87	2.89	3.05	3.24	3.16	3.10