



XOU24WGS\_  
UNDERCOUNTER WINE COOLER  
SINGLE ZONE



Zero clearance hinges  
for a flush installation

Fully extending telescoping  
racks cushion your bottles

Intuitive digital touch controls  
for two temperature zones

## 24" UNDERCOUNTER WINE COOLER

STORE UP TO 54 BOTTLES - READY TO SERVE AT 41° TO 64° F.

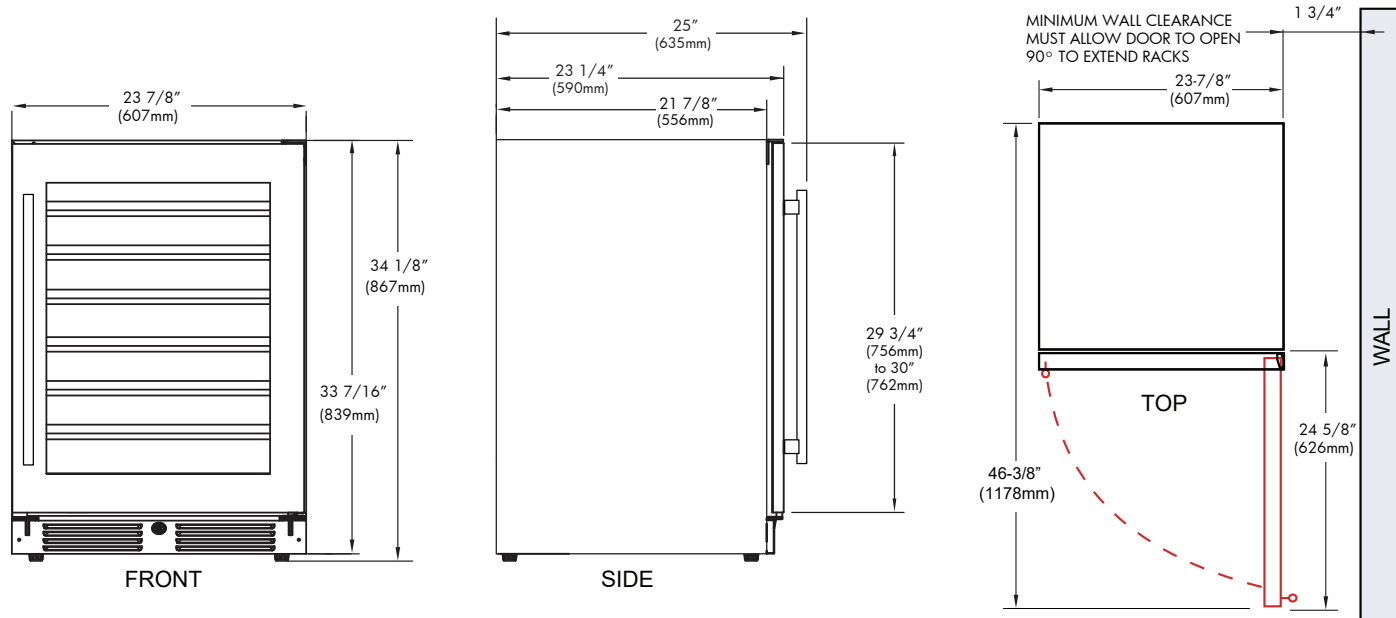
This elegant and efficient single zone wine cooler is your ideal accessory for convenient entertaining, storing up to 54 bottles of your favorites close at hand because the quiet XOU24WGS was designed for easy undercounter installation.

When it is all about the wine - it is all about XO.

WORLD CLASS SERVICE | COMPREHENSIVE WARRANTIES  
OUR LASTING COMMITMENT TO YOU



\*Specify **R** for right hand hinge - or - **L** for left hand hinge



**FEATURES**

**CAPACITY**

Full extension smooth glide racks hold: (54) 750ml bottles upper section at 41° to 64° F

**FEATURES**

- Zero clearance hinges for flush integration\*
- Secure door lock
- Non- reversible door - specify right or left hinge
- Library quiet 39 dBA operation
- Elegant tri-color interior illumination
- Intuitive digital touch controls
- 6-1/2' Power Cord with low profile 90° flat plug
- Low E Glass blocks harmful UV light
- Alarm Functions
- Energy Saver and Sabbath Mode

\* Note: zero clearance hinges are visible just above and below the door panel

**SPECIFICATIONS**

**ELECTRICAL** 120V 60HZ 4.35 AMP\*

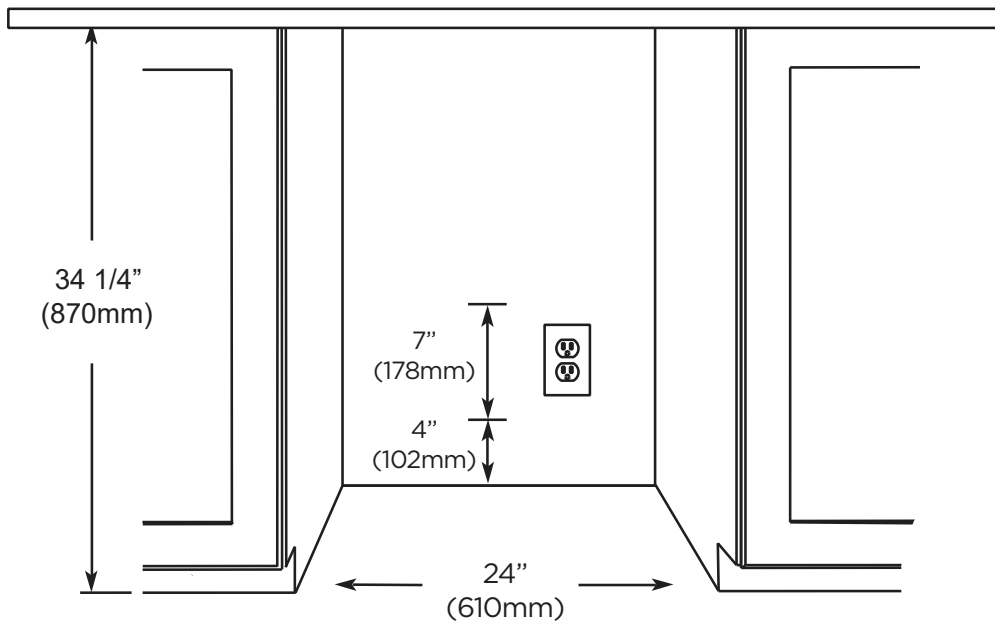
**DIMENSIONS** H 34 1/8"  
W 23 7/8"  
D 23 1/4"

**ROUGH IN** H 34 1/4" min  
W 24"  
D 24"

**REFRIGERANT** R600A



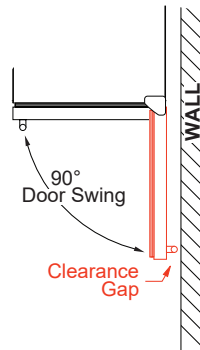
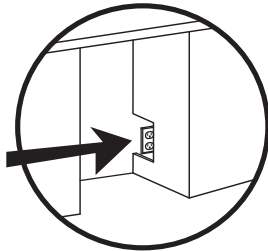
ROUGH IN DIMENSIONS



ALL XO UNDERCOUNTER  
UNITS ARRIVE PRE-WIRED  
WITH LOW PROFILE PLUGS  
FOR EASY INSTALLATION



NEED MORE SPACE -  
CUT INTO AN ADJOINING  
CABINET TO REACH AN  
OUTLET THERE



WHEN INSTALLING WITH  
THE HINGE SIDE NEXT TO A WALL -  
LEAVE 1-3/4" CLEARANCE GAP FOR  
CABINET HANDLES

DOOR MUST BE ABLE TO OPEN  
A MINIMUM OF 90°.

THE DOOR STOP IS SET AT 110°  
BUT CAN BE RESET TO 90° OR 140°.

IF THE DOOR CANNOT OPEN FULLY  
YOU CANNOT EXTEND THE SHELVES.

CONSULT THE MANUAL FOR  
INSTRUCTIONS ON CHANGING  
THE DOOR STOP SETTING.