

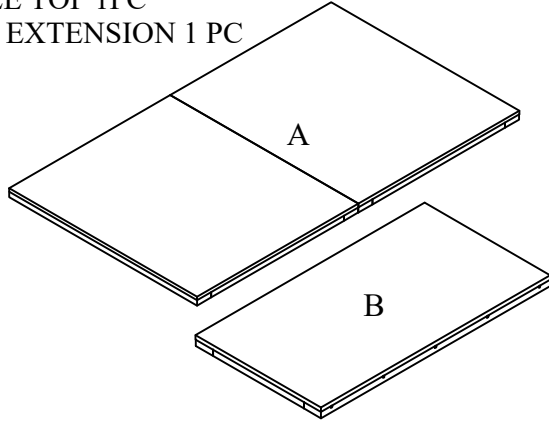
# OXFORD EXTENSION TABLE ASSEMBLY INSTRUCTIONS



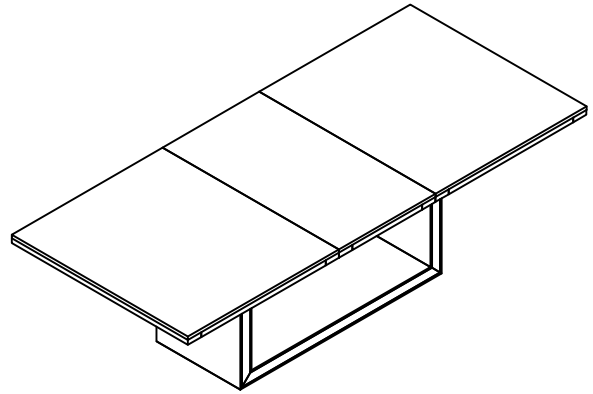
## PARTS PACKING CONFIGURATIONS

BOX #1:

- A. TABLE TOP 1PC
- B. LEAF EXTENSION 1 PC

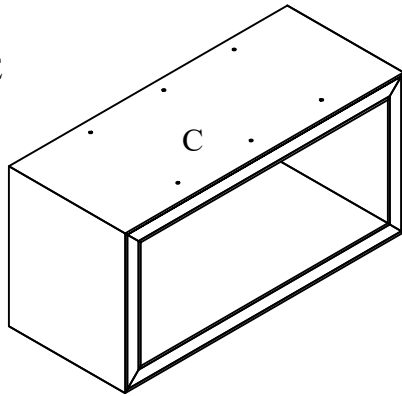


OXFORD EXTENSION TABLE FULLY  
ASSEMBLED



BOX #2:

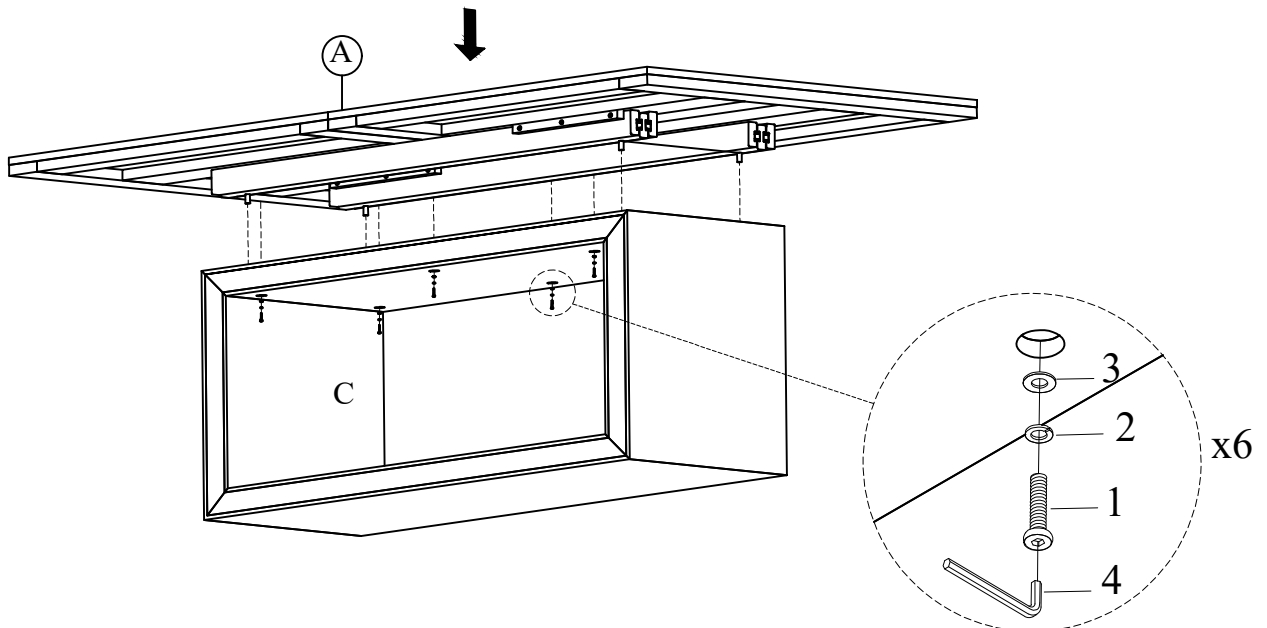
C. TABLE BASE



### HARDWARE PACKED IN BOX #1

1	ALLEN BOLT (M8X70)		6 PCS
2	SPRING WASHER (M8)		6 PCS
3	FLAT WASHER (M8)		6 PCS
4	ALLEN KEY		1PC

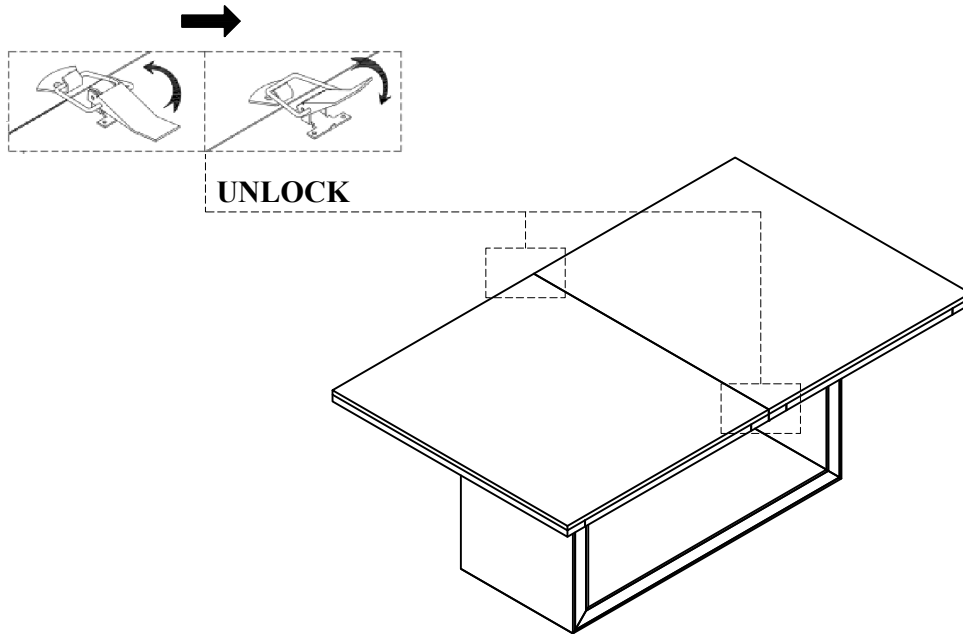
STEP 1: ATTACH TABLE TOP (A) TO THE TABLE BASE (C) USING SIX ALLEN BOLTS (1), SPRING WASHERS (2) AND FLAT WASHERS (3). TIGHTEN COMPLETELY WITH THE PROVIDED ALLEN KEY (4). WASHER (3), SPRING WASHER (2), ALLEN BOLT (1) AND SECURE WITH ALLEN KEY (4).



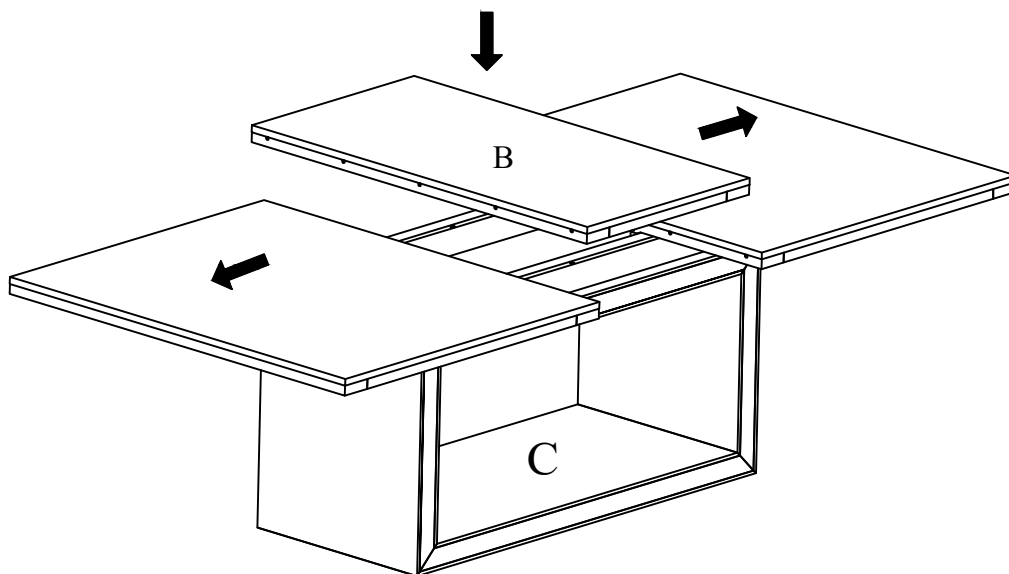
# OXFORD EXT TABLE ASSEMBLY INSTRUCTIONS



STEP 2: TO INSERT THE LEAF EXTENSION (B), WITH THE HELP OF A SECOND PERSON, SEPARATE THE TABLE HALVES BY UNCOUPLING THE BRACKETS ON THE UNDERSIDE OF THE TABLE AND PULL APART.



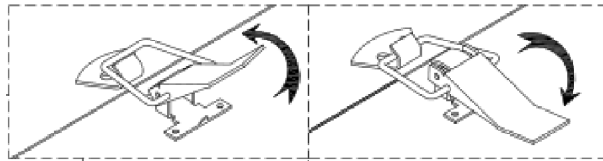
STEP 3: INSERT THE LEAF EXTENSION INTO THE TABLE TOP.



# OXFORD EXT TABLE ASSEMBLY INSTRUCTIONS



STEP 4: PUSH THE TABLE HALVES BACK TOGETHER AND RECOUPLE BRACKETS ON THE UNDERSIDE OF THE TABLE.



**LOCK**

