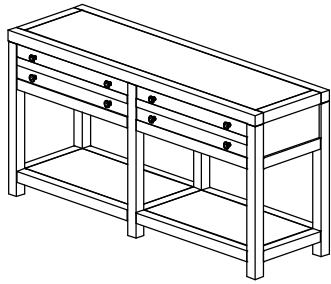


TOWNSEND CONSOLE TABLE

ASSEMBLY INSTRUCTIONS

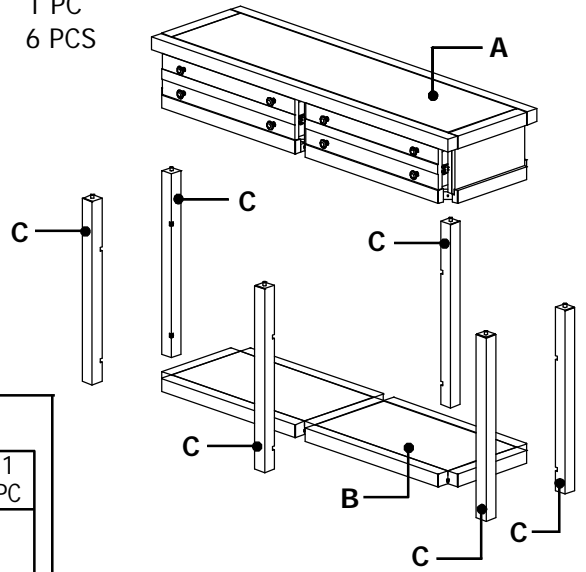


TOWNSEND CONSOLE TABLE ASSEMBLED



PARTS AND FITTING PACKAGING DETAIL

- A. CONSOLE BODY 1 PC
- B. CONSOLE SHELF 1 PC
- C. LEG 6 PCS
- HARDWARE BOX



WARNING

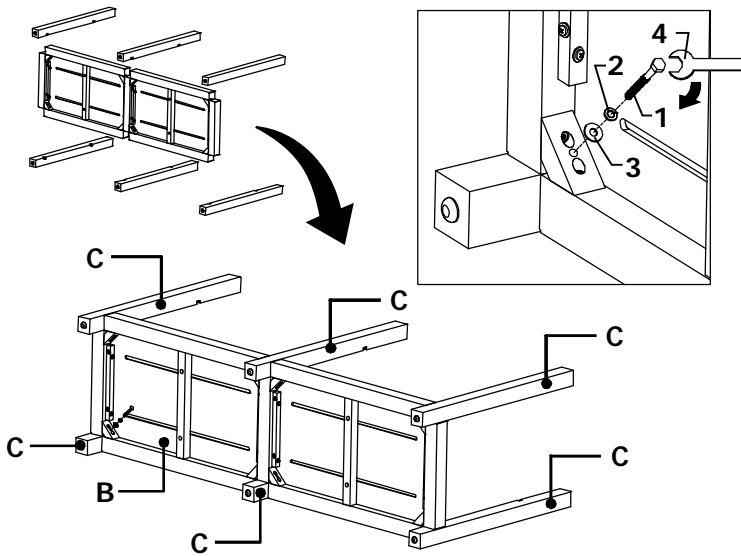
FOR YOUR SAFETY AND CONVENIENCE ASSEMBLY BY TWO PEOPLE IS RECOMMENDED

HARDWARE PACKED IN BOX

1	HEX BOLT (60MM)	12 PCS	2	LOCK WASHER	12 PCS	3	FLAT WASHER	12 PCS	4	WRENCH	1 PC

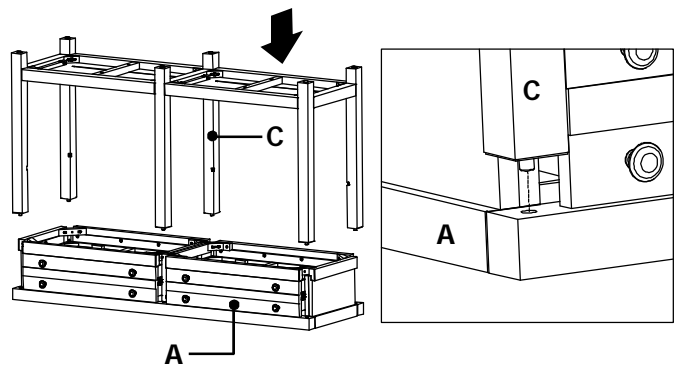
STEP 1 :

ATTACH LEGS (C) TO CONSOLE SHELF (B) USING HEX BOLTS (1), LOCK WASHERS (2) AND FLAT WASHERS (3). DO NOT TIGHTEN THE BOLTS COMPLETELY.



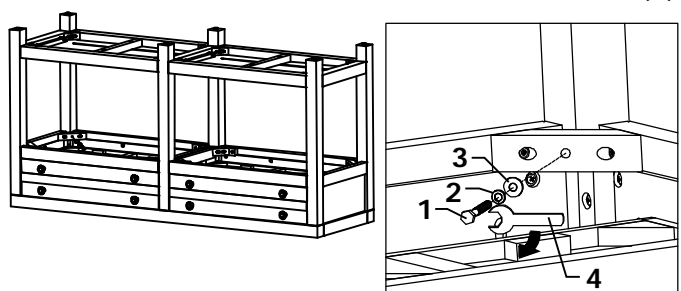
STEP 2 :

ON A CLEAN, FLAT, LEVEL SURFACE, LAY THE CONSOLE BODY (A) UPSIDE DOWN. ATTACH THE SHELF ASSEMBLY FOLLOWING THE ILLUSTRATION.



STEP 3 :

FOLLOWING THE ILLUSTRATION, ATTACH CONNECTED SHELF ASSEMBLY TO THE CONSOLE BODY USING HEX BOLTS, LOCK WASHERS AND FLAT WASHERS. TIGHTEN ALL BOLTS, INCLUDING ONES FROM STEP 1, COMPLETELY WITH WRENCH (4).



INSTRUCTIONS FOR ADJUSTING LEVELERS :

- POSITION THE TABLE IN YOUR ROOM LOCATE LEVELERS UNDER EACH LEG.
- TURN COUNTER-CLOCKWISE TO EXTEND, CLOCKWISE TO CONTRACT.
- ADJUST LEVELERS UNTIL EACH LEG IS APPLYING EQUAL UPWARD PRESSURE ON THE TABLE.

