

## SPECIFICATIONS

### DESCRIPTION

- 1/2" female NPT inlet

### FLOW

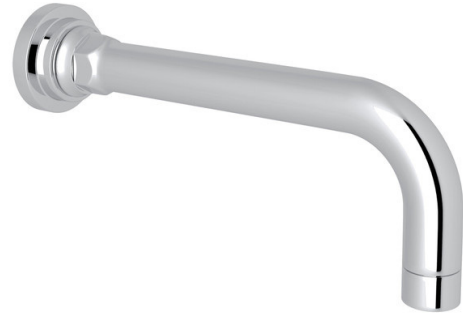
- 12 GPM/45.4 LPM at 60 PSI

### STANDARDS

- ASME A112.18.1/CSA B125.1

### WARRANTY

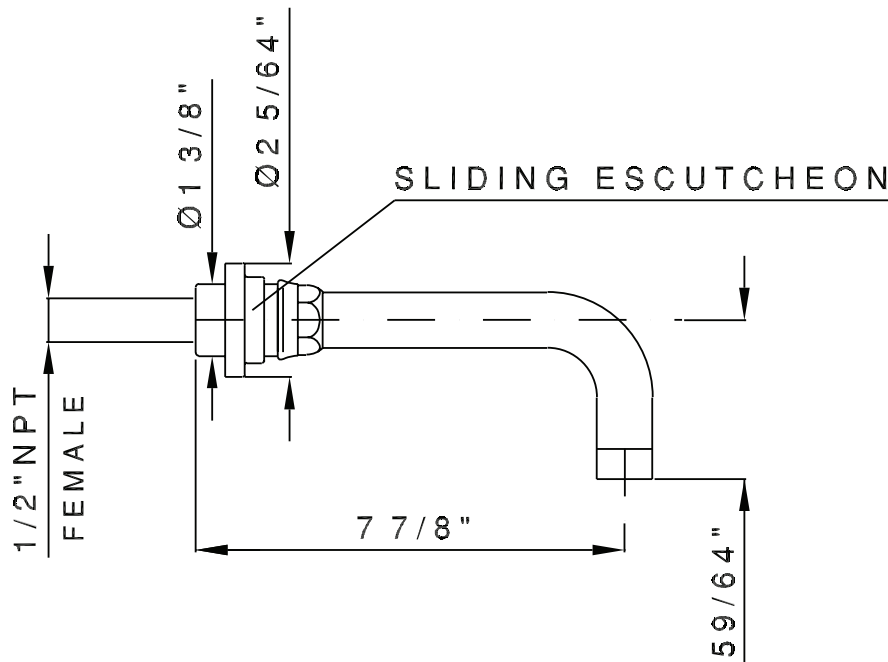
- Most products or parts carry "Limited Warranties" against manufacturing defects. For US customers please visit [houseofrohl.com/support](http://houseofrohl.com/support) and for Canadian customers please visit [houseofrohl.ca/support](http://houseofrohl.ca/support) for complete product and finish warranty.



**San Giovanni™**  
Wall Mount Tub Spout

**MODEL:** A2303

cUPC®



**For warranty or additional information, contact:**

U.S.A.  
[houseofrohl.com/support](http://houseofrohl.com/support)  
1-800-777-9762

QUEBEC / MARITIMES / WESTERN CANADA  
QUÉBEC / MARITIMES / OUEST CANADIEN  
QUEBEC / MARITIMOS / CANADA OCCIDENTAL  
[houseofrohl.ca/support](http://houseofrohl.ca/support)  
1-866-473-8442

ONTARIO  
[houseofrohl.ca/support](http://houseofrohl.ca/support)  
1-800-287-5354

## SPÉCIFICATIONS

### DESCRIPTION

- Entrée d'eau 1/2" femelle NPT

### DÉBITS DISPONIBLES

- 12 GPM/45,4 LPM à 60 PSI

### CERTIFICATION

- ASME A112.18.1/CSA B125.1

### GARANTIE

- La plupart des produits ou pièces comportent des « garanties limitées » contre les défauts de fabrication. Pour les clients américains, veuillez visiter [houseofrohl.com/support](http://houseofrohl.com/support) et pour les clients canadiens, veuillez visiter [houseofrohl.ca/support](http://houseofrohl.ca/support) pour la garantie complète du produit et du fini.

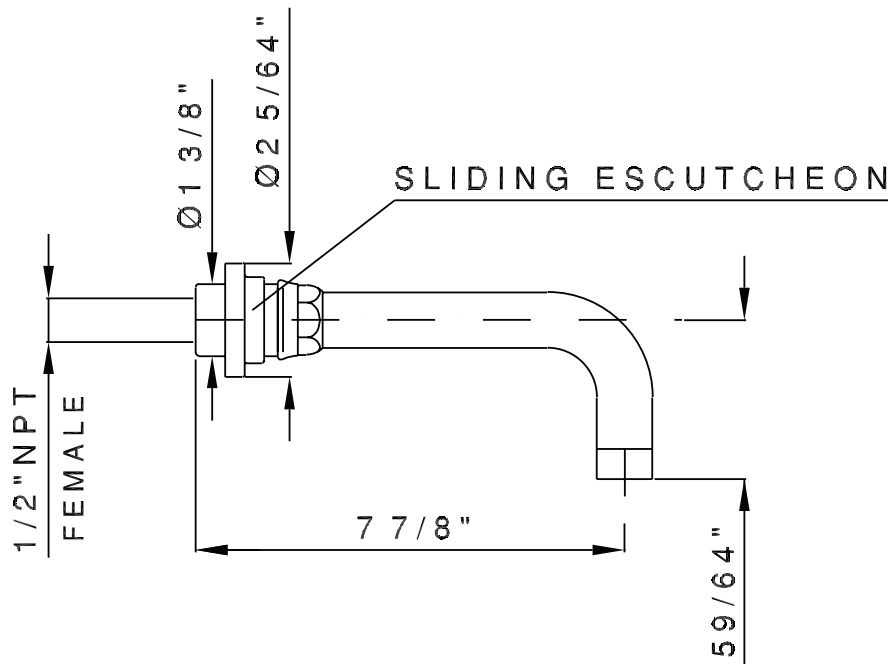


### San Giovanni™

Bec de bain mural

**MODÈLES:** A2303

UPC®



For warranty or additional information, contact:

U.S.A.  
[houseofrohl.com/support](http://houseofrohl.com/support)  
 1-800-777-9762

QUEBEC / MARITIMES / WESTERN CANADA  
 QUÉBEC / MARITIMES / OUEST CANADIEN  
 QUEBEC / MARITIMOS / CANADA OCCIDENTAL  
[houseofrohl.ca/support](http://houseofrohl.ca/support)  
 1-866-473-8442

ONTARIO  
[houseofrohl.ca/support](http://houseofrohl.ca/support)  
 1-800-287-5354

## ESPECIFICACIONES

### DESCRIPCIÓN

- Entrada de agua 1/2" hembra NPT

### FLUIR

- 12 GPM/45,4 LPM a 60 PSI

### NORMAS

- ASME A112.18.1/CSA B125.1

### GARANTÍA

- La mayoría de los productos o piezas cuentan con "Garantías limitadas" contra defectos de fabricación. Para los clientes de EE. UU., visite [houseofrohl.com/support](http://houseofrohl.com/support) y para los clientes canadienses, visite [houseofrohl.ca/support](http://houseofrohl.ca/support) para conocer la garantía completa del producto y el acabado.

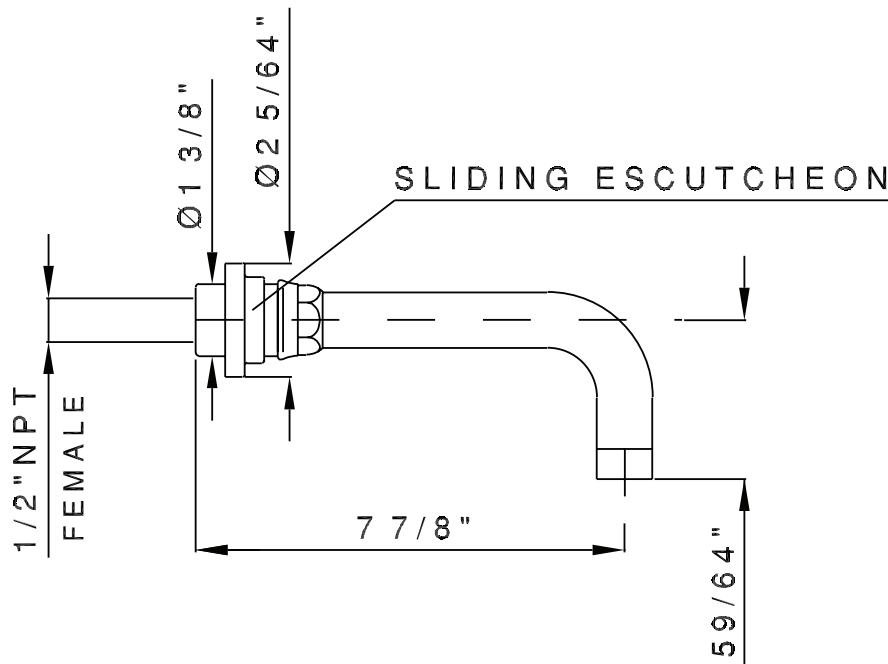


### San Giovanni™

Bec de bain mural

**MODELOS:** A2303

UPC®



For warranty or additional information, contact:

U.S.A.  
[houseofrohl.com/support](http://houseofrohl.com/support)  
 1-800-777-9762

QUEBEC / MARITIMES / WESTERN CANADA  
 QUÉBEC / MARITIMES / OUEST CANADIEN  
 QUEBEC / MARITIMOS / CANADA OCCIDENTAL  
[houseofrohl.ca/support](http://houseofrohl.ca/support)  
 1-866-473-8442

ONTARIO  
[houseofrohl.ca/support](http://houseofrohl.ca/support)  
 1-800-287-5354