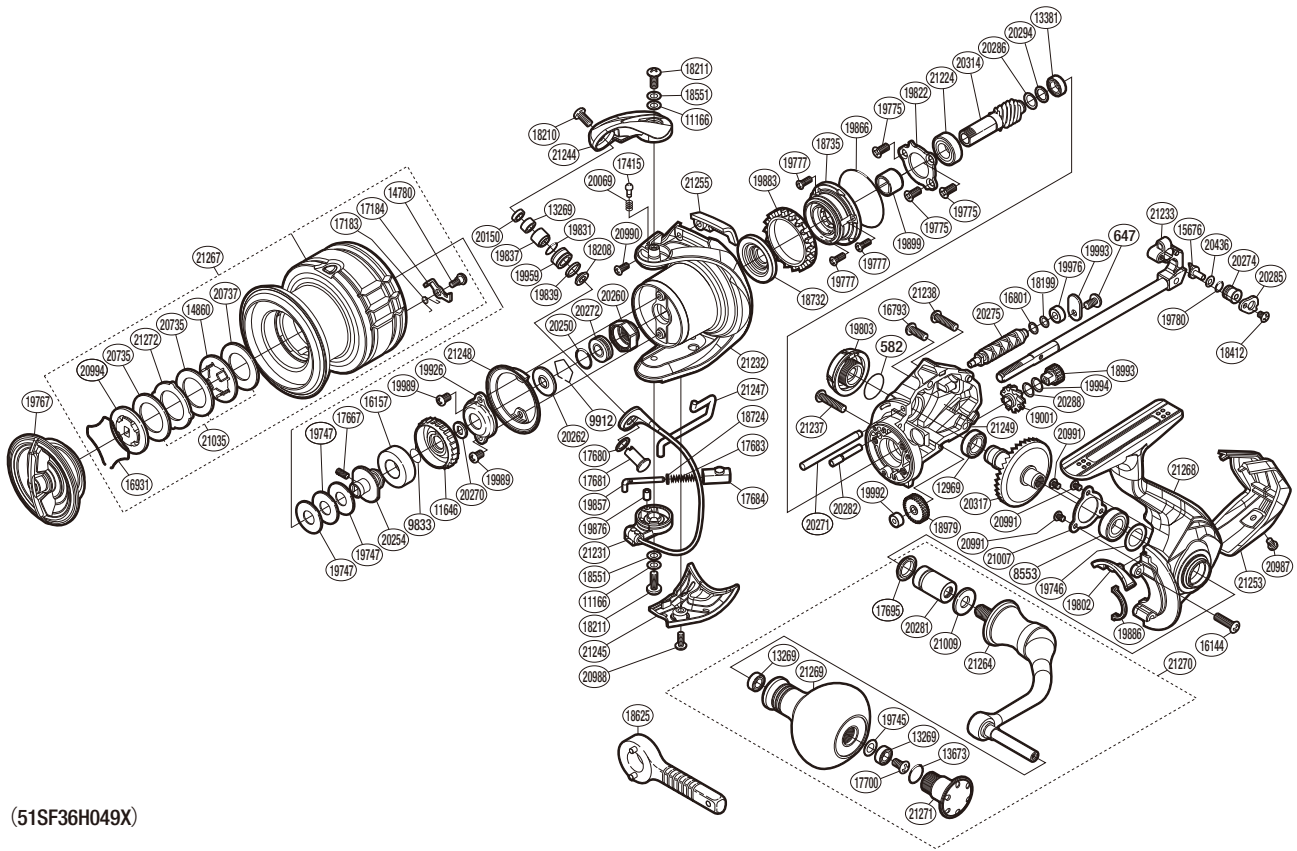


SHIMANO

VANFORD

VFC5000XGF



(51SF36H049X)

#	Part No.	Description	#	Part No.	Description	#	Part No.	Description
582	108WH	O Ring	19745	104FH	Washer	20288	10G6D	Spacer
647	10QG5	Screw	19746	101AY	Washer	20294	10GD9	Washer
8553	107AT	Ball Bearing	19747	101AV	Washer	20314	10DZ1	Pinion Gear
9833	107V2	Ratchet Spring	19767	10180	Drag Knob Assembly	20317	100Y1	Drive Gear
9912	10GEW	Bearing Retainer	19775	100WY	Screw	20436	100CW	Washer
11166	10KFA	Washer	19777	100WT	Screw	20735	10E66	Drag Washer
11646	107PS	Drag Click Ratchet	19780	100WX	O Ring	20737	10E6E	Drag Washer
12969	107FA	Ball Bearing	19802	1017Y	Bail Trip Strike	20987	10RX2	Screw
13269	104VX	Ball Bearing	19803	10RSK	Handle Screw Cap	20988	101CC	Screw
13381	104JT	Ball Bearing	19822	10DWD	Bearing Retainer	20990	10RNQ	Screw
13673	10LAA	O Ring	19831	1009E	O Ring	20991	100UL	Screw
14780	10A6F	Screw	19837	1009K	Line Roller Bushing	20994	10K3C	Key Washer
14860	10BBP	Key Washer	19839	10RFZ	Line Roller Spacer	21007	100F9	Bearing Retainer
15676	106VJ	Oscillating Pawl	19857	10SAN	Bail Spring Guide A	21009	100RR	Washer
16144	10M2L	Screw	19866	1009Z	O Ring	21035	10RDE	Drag Washer
16157	10J3G	Spool Bushing	19876	1009B	Bail Spring Guide A Bush	21224	10E7A	Ball Bearing
16793	10LZ4	Screw	19883	10QXQ	Friction Ring	21231	100B3	Bail Assembly
16801	10K9C	Washer	19886	1009W	Flange Water Proof	21232	100BC	Rotor Assembly
16931	10B8N	Drag Washer Retainer	19899	1009Y	Roller Clutch Inner	21233	10T3F	Main Shaft Assembly
17183	10BQF	Drag Click Spring	19926	1076N	Rotor Nut Lock Plate	21237	10DWX	Screw
17184	102H5	Drag Click	19959	1009A	Line Roller	21238	10S44	Screw
17415	106ZC	Click Pin	19976	1009C	Worm Bushing (Rear)	21244	10DX1	Bail Arm
17667	10PN3	Set Screw	19989	103GW	Screw	21245	10SD6	Bail Hold Support Guard
17680	1018Z	Washer	19992	1009G	Worm Bushing (Front)	21247	10DX4	Bail Trip Lever
17681	10TPC	Line Roller Support	19993	10S7C	Worm Shaft Retainer	21248	10DWK	Rotor Brim
17683	105R6	Bail Spring	19994	10TBA	Washer	21249	10S9E	Body
17684	107AB	Bail Spring Guide B	20069	10HE7	Click Spring	21253	101E2	Rear Protector
17695	10PXV	Handle Shaft Seal	20150	10E44	Line Roller Collar	21255	10SDA	Counterweight Cover
17700	10LFA	Screw	20250	101GT	O Ring	21264	10T3C	Handle Shank Assembly
18199	10ECK	Spacer	20254	10DYE	Bearing Bushing	21267	10DWS	Spool Assembly
18208	10TJM	Spacer	20260	10E38	Rotor Nut	21268	10T3L	Side Cover Assembly
18210	10TLJ	Screw	20262	10DY6	Bearing Water Proof	21269	100BF	Handle Knob
18211	10TLM	Screw	20270	103NY	Spool Support	21270	10DX8	Handle Assembly
18412	10LCT	Screw	20271	10DYF	Oscillating Guide A	21271	10DWP	Handle Knob Seal
18551	10K96	Washer	20272	10DXZ	Main Shaft Collar	21272	10RZV	Eared Washer
18724	101D9	Spring Guide A Support	20274	1010C	Oscillating Slider Bushing			
18732	101D5	Rotor Ring	20275	10DYB	Worm Shaft	18054	10G4L	Anti Line Slip Sticker
18735	10S2L	Roller Clutch Assembly	20281	10DYA	Handle Shaft Cover B			
18979	10074	Idle Gear	20282	10DYJ	Idle Gear B Shaft			
18993	10SM7	Idle Gear B Small	20285	1010D	Oscillating Pawl Cover			
19001	1006V	Idle Gear B Large	20286	10E37	Washer	18625	10NC0	Handle Knob Wrench (Accessory)

Please note that the number of adjusting washers may not be the same as shown in the exploded views.
(Adjustment will vary with each individual product.)

(230607)_006