

AXOR Starck
Thermostatic Trim HighFlow
Finishes : **brushed nickel** Part no. : **10715821**



Description

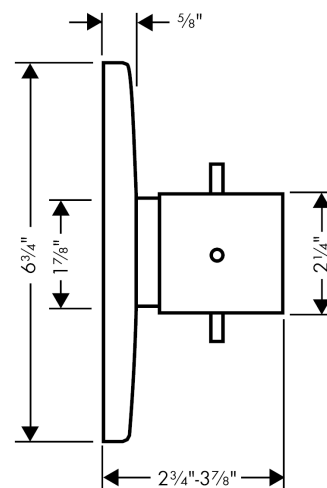
Features

- Flow: 13.0 GPM (49.2 L/Min)
- Thermostatic cartridge
- Anti-scald 100° safety stop

Product image



Scale drawing

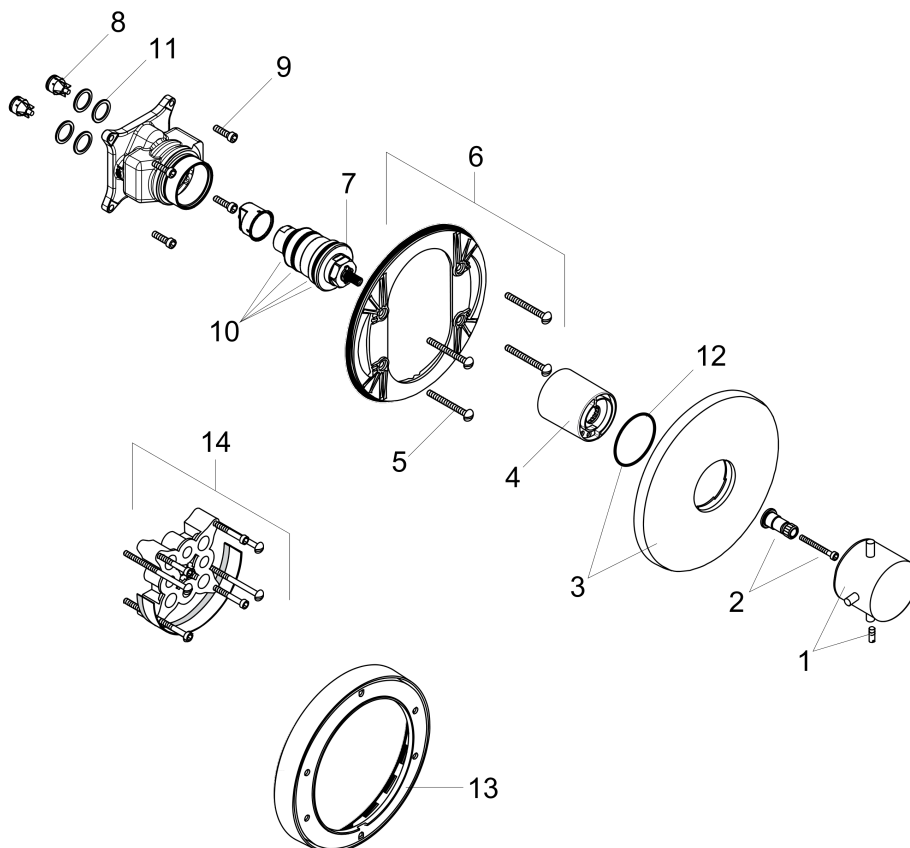


AXOR Starck
Thermostatic Trim HighFlow
Finishes : **brushed nickel** Part no. : **10715821**



Exploded drawing

Year of production: >10/09



AXOR Starck
Thermostatic Trim HighFlow
 Finishes : **brushed nickel** Part no. : **10715821**



Spare parts list

Year of production: >10/09

Pos.	Description	Part no.	PC	PU
1	handle for thermostat	10391821	0	1
2	adapter for handle	96435000	0	1
3	escutcheon Ø 170 mm	96452820	0	1
4	sleeve	97439820	0	1
5	set of fixing screws	96454000	0	1
6	sub plate	96447000	0	1
7	thermostat cartridge	96633000	0	1
8	set of non return valves DW 15	97350000	0	1
9	set of screws	96525000	0	1
10	sealing set	96636000	0	1
11	O-ring 16x2	98133000	0	1
12	O-ring 48x5	98174000	0	1
13	extension 25 mm	13595000	0	1
14	extension 22 mm (Ø 170 mm)	13596820	0	1
a	base body	01850181	0	1