

DELTA♥CHILDREN

FLORA BASSINET

INSTRUCTION MANUAL

ADULT ASSEMBLY REQUIRED

STYLES AND COLORS MAY VARY

27210

**▲ WARNING:
CHOKING HAZARD**

Adult assembly required because of small parts. Keep assembly parts out of reach of children under 3 years.



**Read all instructions BEFORE assembly and USE of product
KEEP INSTRUCTIONS FOR FUTURE USE.**

Customer Experience Center
email: gcs@DeltaChildren.com

www.DeltaChildren.com

DCP-IM-04192024-F1

Consumer Information



WARNING

Failure to follow these warnings and instructions could result in serious injury or death.

- **Read all instructions before assembling unit.**

KEEP INSTRUCTIONS FOR FUTURE USE.

DO NOT USE THIS UNIT IF THE INSTRUCTIONS CANNOT BE STRICTLY FOLLOWED.

- Before each usage or assembly, inspect unit for damaged hardware, loose joints, missing parts or sharp edges. NEVER use this product if there are any loose or missing fasteners, loose joints, broken parts, or torn mesh/fabric. Check before assembly and periodically during use. Contact Delta Children's Products Customer Service Department at gcs@deltachildren.com for replacement parts, repair or instructions.
- **DO NOT** substitute parts.
- **FALL HAZARD**—To help prevent falls, DO NOT use this product when the infant begins to push up on hands and knees or has reached manufacturer's recommended maximum weight of 30lbs. (6.8kg), whichever comes first.
- Use bassinet with only one child at a time.
- Strings can cause strangulation! DO NOT place items with a string around a child's neck, such as hood strings or pacifier cords. DO NOT suspend strings over a product or attach strings to toys.
- **SUFFOCATION HAZARD:** Infants can suffocate:
 - In gaps between an extra pad and side of the bassinet/criadle.
 - On soft bedding.
- Use ONLY the pad provided by the manufacturer. **NEVER** add a pillow, comforter or another mattress for padding.
- If a sheet is used with the pad, use only the one provided by the manufacturer or one specifically designed to fit the dimensions of the bassinet/criadle.
- To reduce the risk of SIDS, pediatricians recommend healthy infants be placed on their back to sleep, unless otherwise advised by your physician.
- Never use plastic shipping bags or other plastic film as a mattress covers not sold and intended for that purpose. They can cause suffocation.
- **DO NOT** place bassinet near a window where cords from blinds or drapes may strangle a child. Child may fall out of window.
- **DO NOT** place cords, straps or similar items that could become wound around a child's neck in or near the bassinet.

CARE AND MAINTENANCE

- The frame, mattress pad, storage basket, music module may be wiped clean using a mild cleaning solution and a damp cloth. Do not use bleach. Do not use harsh or abrasive cleaners. Rinse clean with water to remove residue. Do not immerse the frame.
- The sheet is machine washable. Wash it separately in cold water on the gentle cycle. Do not use bleach. Tumble dry separately on low heat and remove promptly.
- Always store product in a clean and dry place.
- Before each usage or assembly, inspect unit for damaged hardware, loose joints, missing parts or sharp edges. NEVER use this product if there are any loose or missing fasteners, loose joints, broken parts, or torn mesh/fabric.

WARNING

Failure to follow these warnings and instructions could result in death or serious injury .

SUFFOCATION HAZARD

Infants have suffocated:

- On pillows, comforters and extra padding.
- In gaps between a wrong size mattress (too small or too thick) and product sides.
- **NEVER** add soft bedding or padding.
- Use **ONLY** mattress provided by manufacturer.
- Always place baby on back to sleep to reduce the risk of SIDS and suffocation.
- If a sheet is used with the pad, use only the one provided by the manufacturer or one specifically designed to fit the dimensions of the product mattress.
- Product can roll over on soft surfaces and suffocate child. **NEVER** place product on beds, sofas or other soft surfaces

FALL HAZARD: • To help prevent falls,

- Do not use this product when the infant begins to push up on hands and knees, or has reached 30 lbs. (13.6kg) whichever comes first.
- Always use product on the floor. Never use any elevated surface.
- Do not carry baby in the bassinet



Before returning this product to the store! Let's see if we can assist you!

- **Not sure how to assemble our product?**

Visit our site for easy to follow instructions along with some Tricks and Tips assembly video's <https://www.deltachildren.com/pages/instructions>

- **If you are missing a piece or have a damaged part**

Please contact our Consumer Experience Center for assistance at gcs@deltachildren.com
To better assist you please have your Style #, Lot # and Manufacturer Date information available along with the part number that you need assistance with.

- **In the event we do not have a replacement part available**

You may need to return your product to the retailer for an exchange or refund.

- **Warranty**

In order to protect your investment, don't forget to register your product.

You may also wish to consider purchasing our extended warranty.

Visit <https://www.deltachildren.com/pages/extended-warranty> for more details.

- **Please note:**

"All Final", "As Is" or Third Party/Liquidator sales are not covered under our Limited Limited Manufacturer Warranty..

DELTA CHILDREN

LIMITED MANUFACTURER WARRANTY

This Delta product is warranted to be free from defects for a period of 90 days from the date of purchase under normal use. This warranty extends only to the original retail purchaser and is valid only when supplied with proof of purchase, or if received as a gift, when the registration is on file with Delta. This limited manufacturer warranty does not cover the following:

- Products purchased as floor models or samples.
- Items purchased on an “as-is” basis, as a second hand product, or as a resale product.
- Items purchased at a Final sale, a “Going out of Business” sale, or a Liquidation sale.

TO REGISTER YOUR PRODUCT for important safety alerts and updates to your product please visit www.deltachildren.com

TO REPORT A PROBLEM, please log on to www.deltachildren.com and click the Consumer Care Tab, or contact us by email at gcs@DeltaChildren.com

Date of Purchase: _____ (you should also keep your receipt)

EXTENDED WARRANTY

DON'T MISS YOUR CHANCE TO BE COVERED FOR ALL OF LIFES MISHAPS!

With Delta's Extended Warranty, you're covered for mechanical failure from normal use or if your item stops working due to normal wear and tear, plus all those unexpected surprises.

2 YEARS OF PROTECTION

For Additional Information:

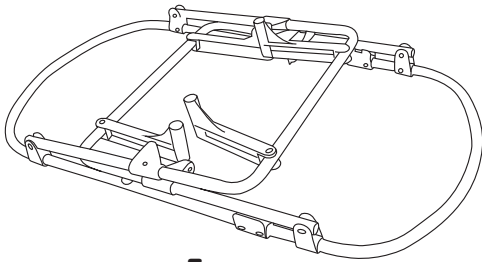
Simply visit our Website, register your product, and add the Extended Warranty

<https://www.deltachildren.com/pages/product-registration>

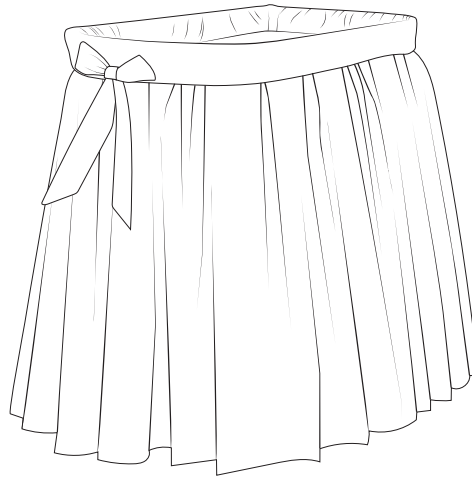
Extended Warranty only available in the following States: Arkansas, Colorado, Delaware, District of Columbia, Georgia, Idaho, Illinois, Indiana, Iowa, Kansas, Kentucky, Louisiana, Maryland, Michigan, Mississippi, Missouri, Nebraska, Nevada, New Hampshire, New York, North Carolina, North Dakota, Pennsylvania, Rhode Island, South Dakota, Tennessee, Utah, West Virginia

Parts

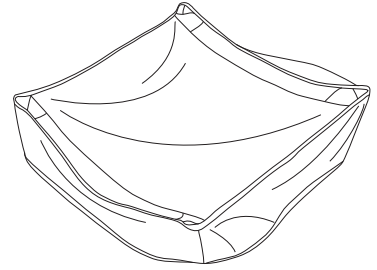
IMPORTANT! Please remove all parts from the package and identify them before assembly.



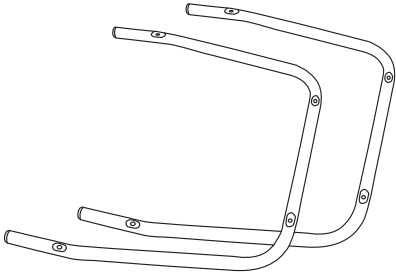
Frame
Part# 50032



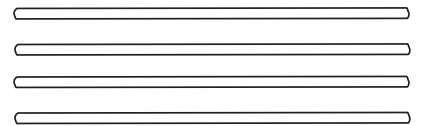
Fabric Liner
Part# 50033



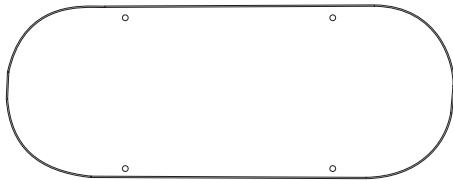
Fabric Storage Liner
Part# 50034



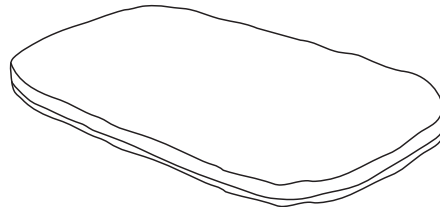
Base Legs
Part# 50035



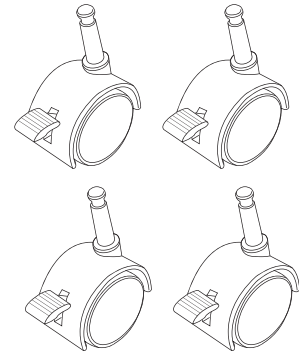
Support Tubes X4
Part# 50037



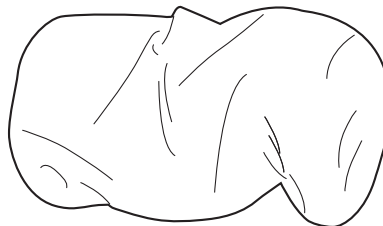
Mattress Support
Part# 50095



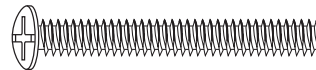
Mattress Pad
Part# 50094



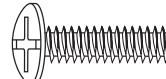
Locking Wheels x4
Part# 50089



Sheet
Part# 50041

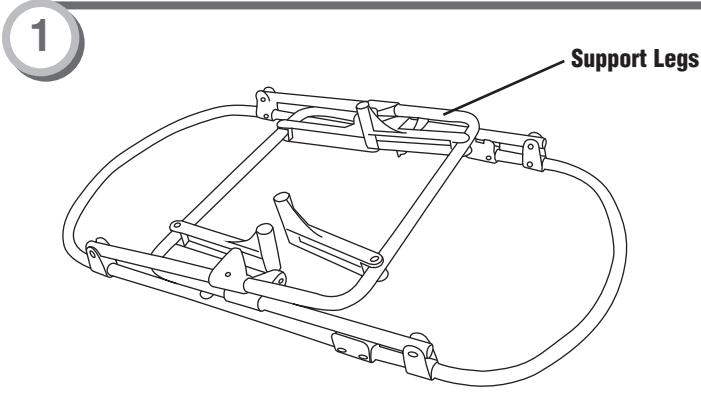


G8 x 4cm Screw – 8
Part# 50411



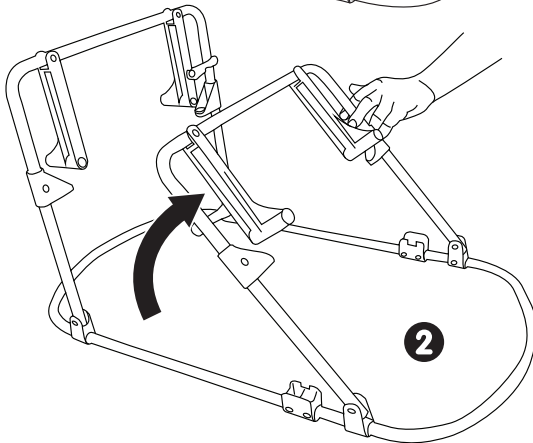
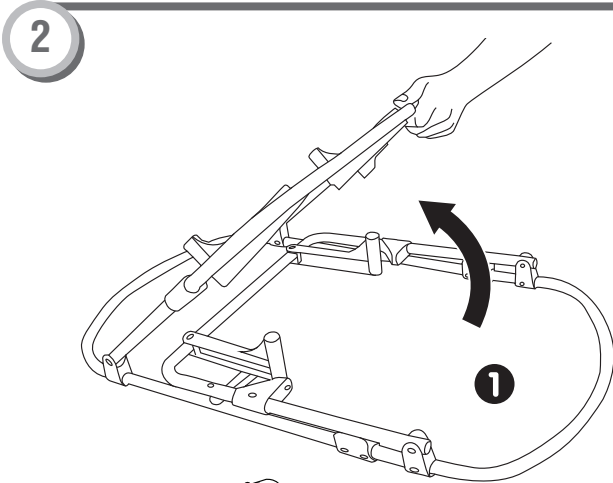
M6 x 2cm Screw – 4
Part# 50428

Bassinet Assembly

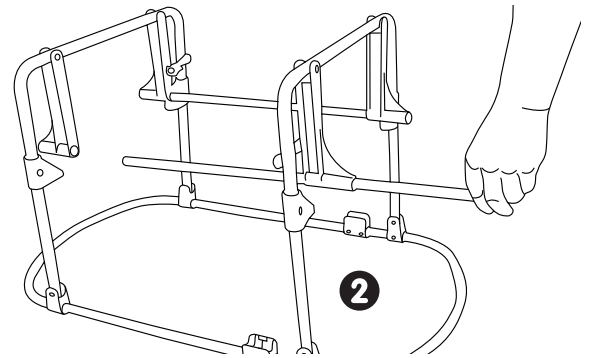
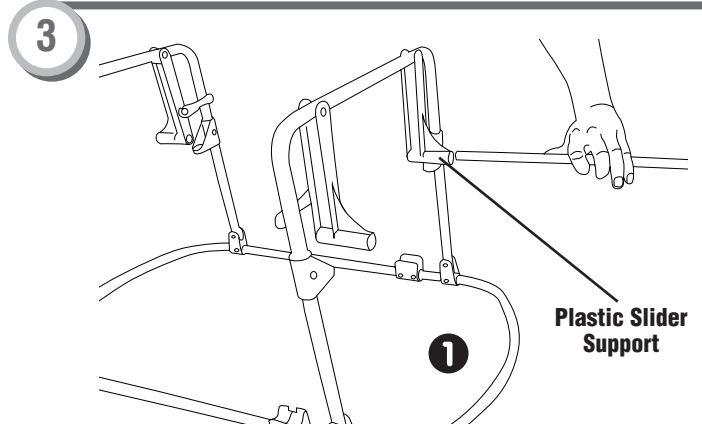


Note: You may need the help of another adult to help steady all parts for assembly.

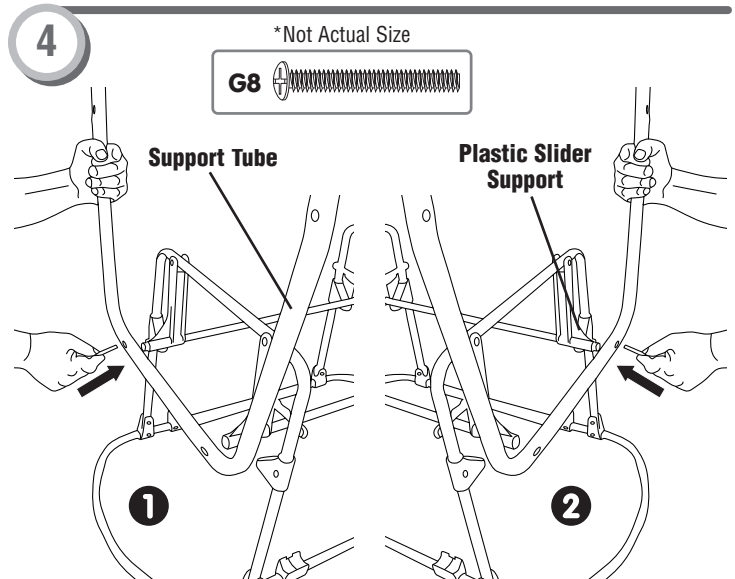
- Place the frame on a flat surface with the support legs facing up.



- Rotate the support legs out as shown in the above images.



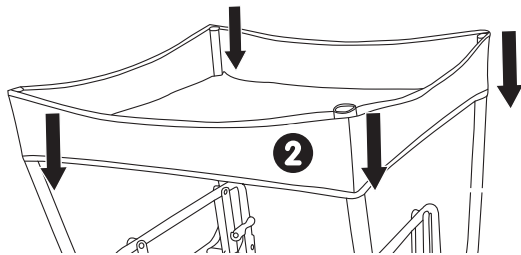
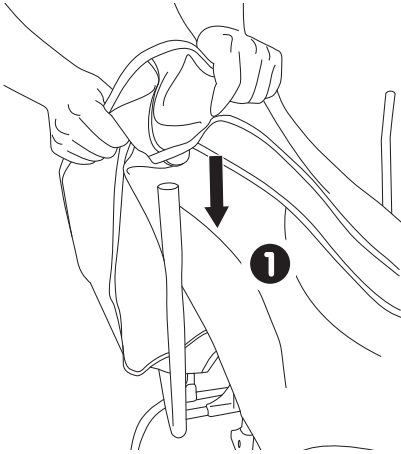
- Locate the four (x4) support tubes.
- Slide a support tube into the plastic slider support. Push the support bar through the second plastic slider support.
- Repeat with the second support tube.



- Locate the four G8 screws and the base legs.
- **1** With the open end up, line the bottom holes up with the two support tubes and plastic slider supports.
- Insert the G8 screw and hand tighten.
- **2** Align the other bottom hole on the base leg with the other support tube and plastic slider support.
- Insert the other G8 screw and hand tighten.
- Using the screw driver provided, tighten the two screws.
- Repeat for other support tube.

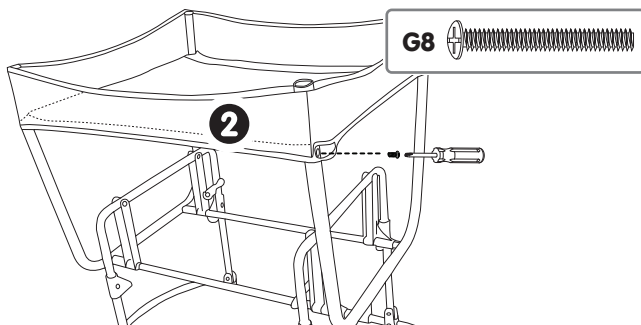
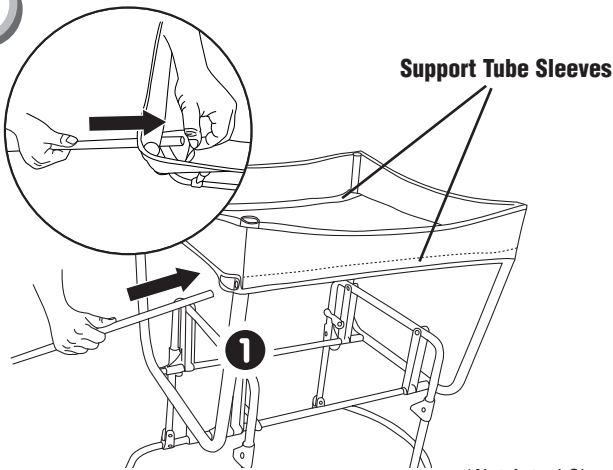
Bassinet Assembly

5

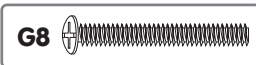


- Locate fabric storage liner.
- **1** With the support tube sleeves facing up, **2** slide the openings on the fabric storage liner over the base tubes.

6

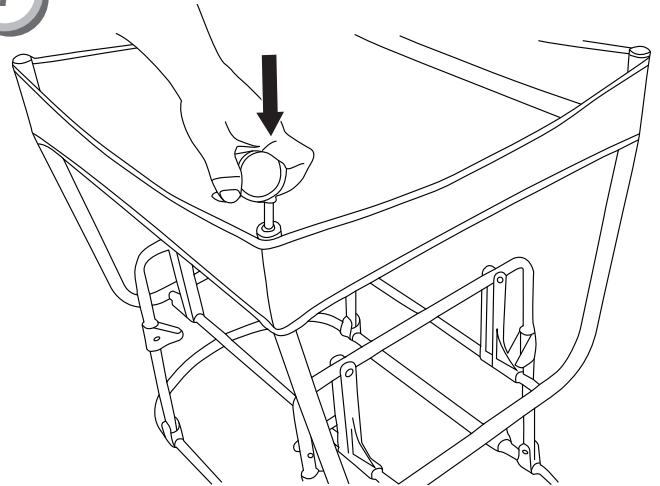


*Not Actual Size



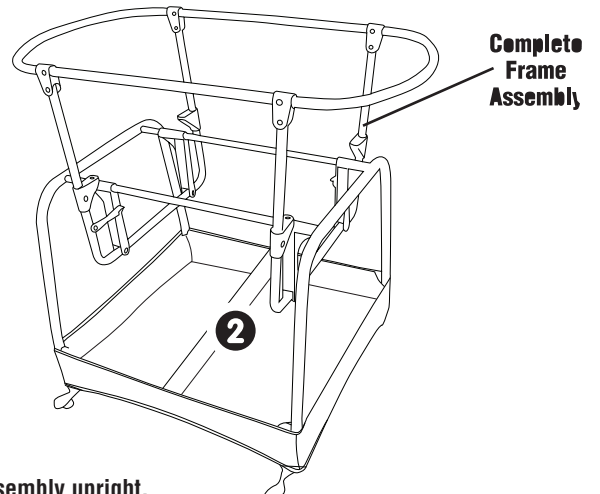
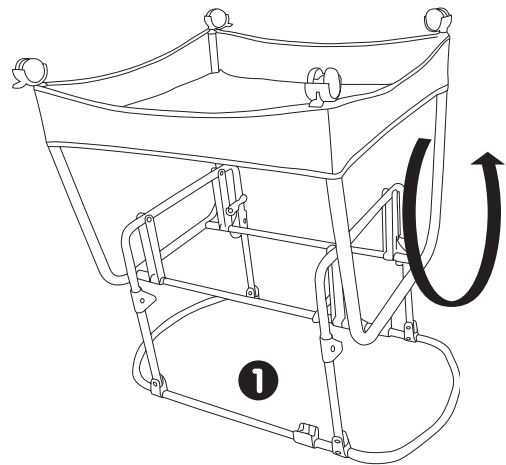
- Locate the remaining two (x2) support tubes and four (x4) G8 screws.
- Slide the support tubes through the support tube sleeves.
- Using the screwdriver provided and the G8 screws, securely fasten the support tubes to the base legs.

7



- Locate the four (x4) casters.
- Insert the casters into the base legs. Push down until you hear the caster “click” into place.
- Pull up on the caster to assure it is properly attached to the bassinet.

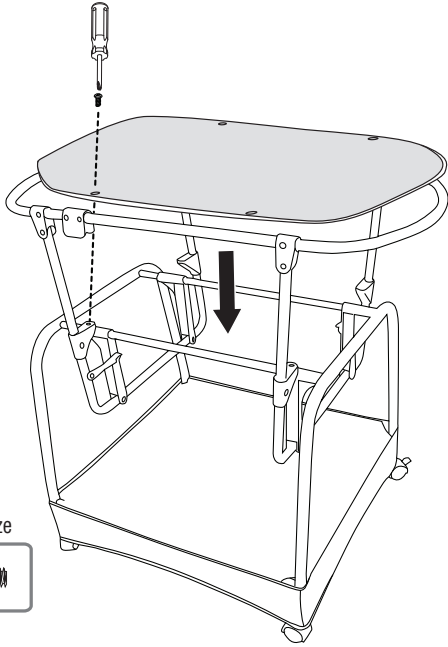
8



- Turn the assembly upright.
- Check to be sure the legs are secure. While gently holding the base down, pull out on the legs. They should remain assembled to the bases.

Bassinet Assembly

9

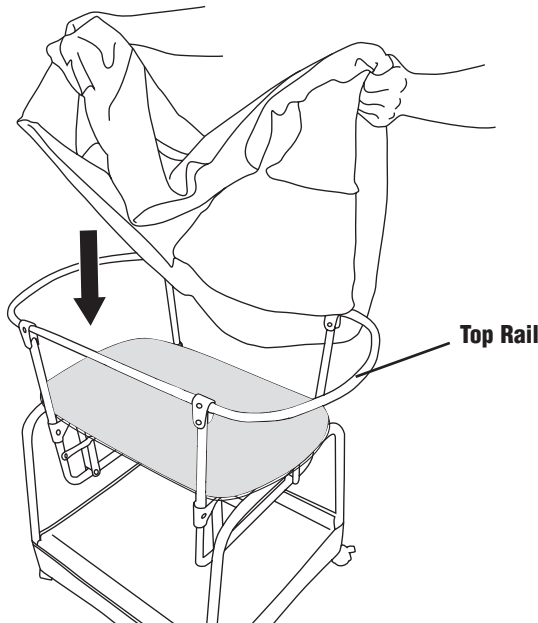


*Not Actual Size



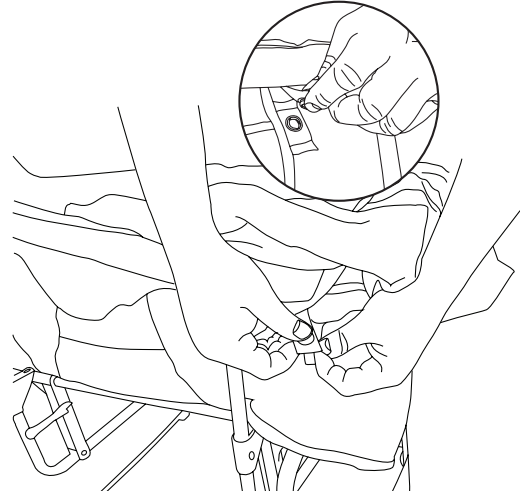
- Locate the mattress support board and four (x4) M6 screws.
- Place the mattress support board onto the frame.
- Line up the mattress support shelf holes with the mattress support holes.
- Insert the M6 screw and tighten with the screwdriver provided.

10



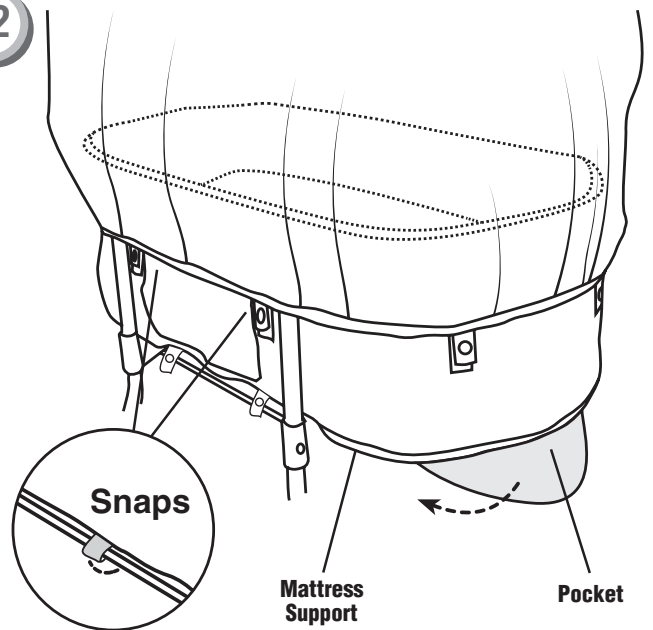
- Locate the fabric liner.
- Place the liner onto the frame. Make sure warning in centered at the end of bassinet.

11



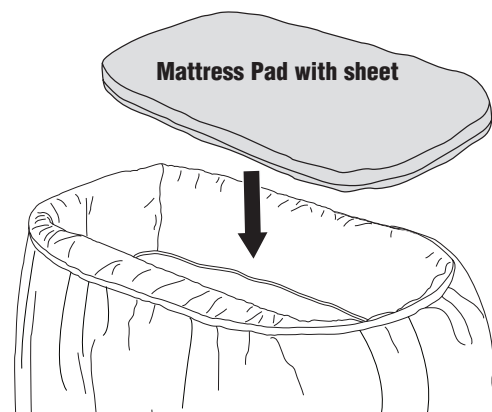
- Lift the skirt on the liner, snap all of the straps around the top of the frame.

12



- Stretch the pockets on the bottom of the liner around the ends of the mattress support.

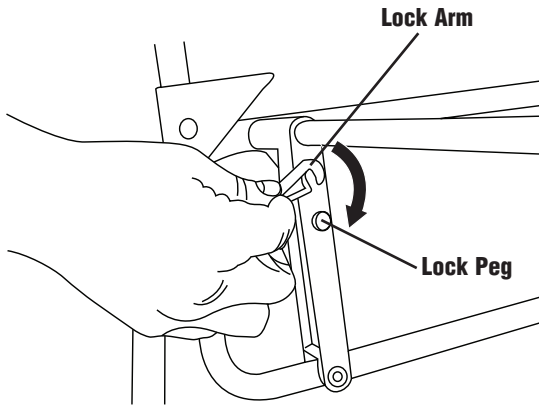
13



- Place the sheet over the mattress pad.
- Place the mattress pad with sheet into the liner.

Locking/Unlocking Bassinet

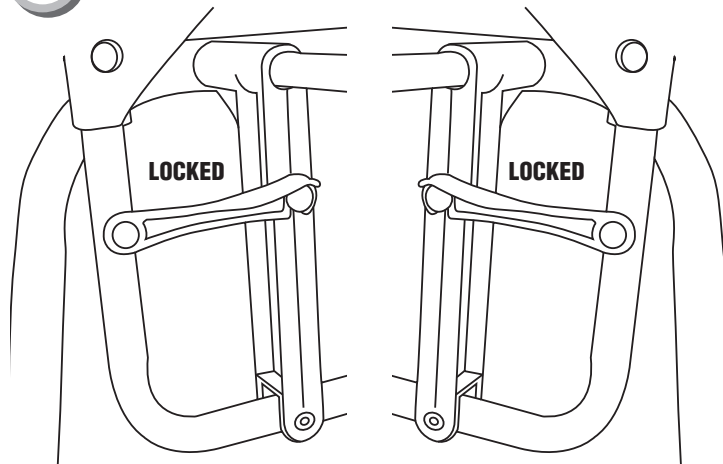
1



- To lock the gliding mechanism, rotate the red lock arm clock wise and snap the lock arm onto the lock peg.

NOTE: There is a lock on both sides of the bassinet.

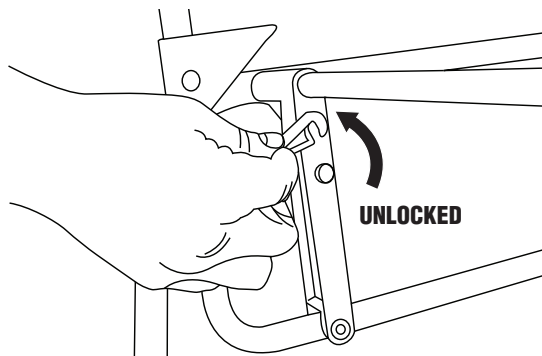
2



HINT: Locks are located on opposite corners of the bassinet frame.

- Repeat lock procedure on other side of the bassinet.

3



- To unlock the gliding mechanism rotate the red lock arm counter clock wise and off the lock peg.

NOTE: Remember to unlock both sides of the bassinet.

DELTA♥CHILDREN

Delta Children's Products Corp.
114 West 26th Street
New York, NY 10001
gcs@DeltaChildren.com
www.DeltaChildren.com

follow us



@deltachildren