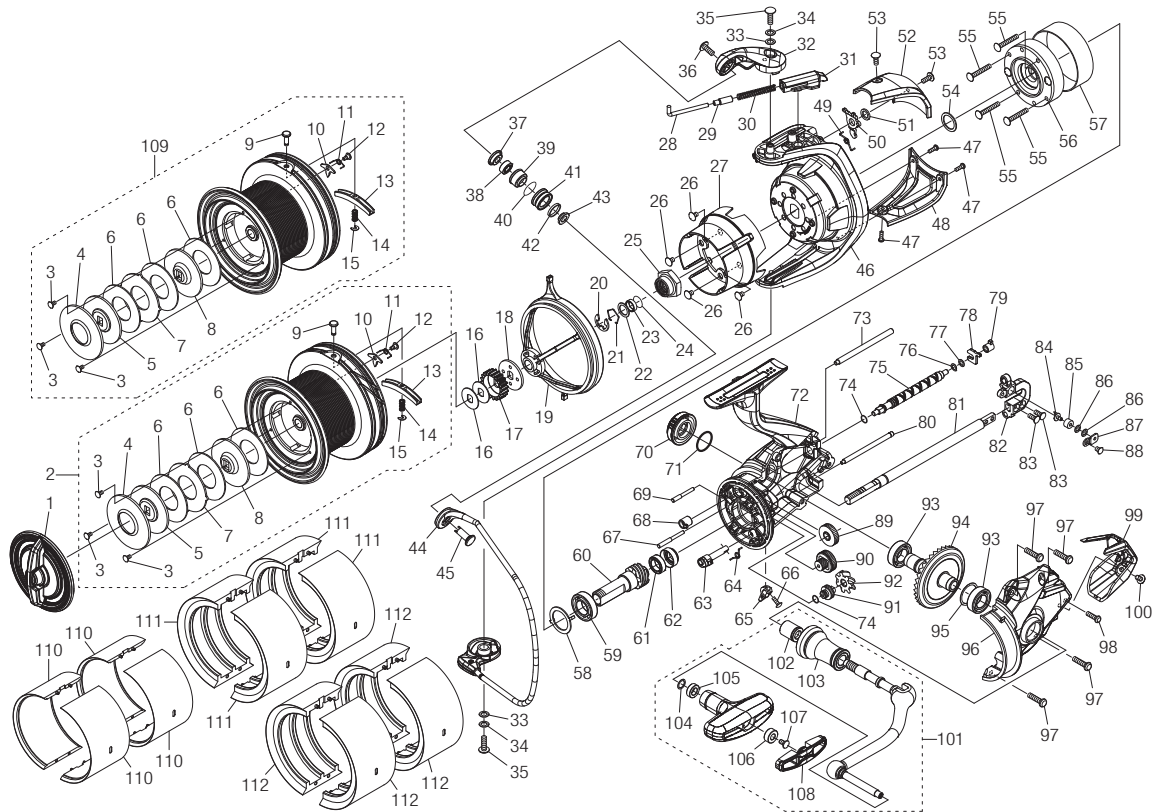


SHIMANO

ULTEGRA XR

ULTX-14000XSD



(51SH751V40X) Please note that the number of adjusting washers may not be the same as shown in the exploded views. (Adjustment will vary with each individual product.)

#	Part No.	Description	#	Part No.	Description	#	Part No.	Description
1	145AC	Drag Knob Assembly	41	145D4	Line Roller	81	10SU9	Main Shaft
2	145AE	Spool Assembly	42	10RAS	Spacer	82	10SHP	Oscillating Slider
3	10MPR	Screw	43	10QUP	Collar	83	10ML9	Screw
4	10LR0	Seal Plate	44	1461E	Bail Assembly	84	106V1	Oscillating Pawl
5	10PLQ	Key Washer B	45	13KLJ	Line Roller Support	85	10JUY	Oscillating Slider Bushing
6	1459T	Drag Washer	46	1461F	Rotor Assembly	86	10K98	Washer
7	10N55	Eared Washer	47	10L1T	Screw	87	10HAD	Oscillating Pawl Retainer
8	10BCF	Key Washer A	48	10QVG	Bail Hold Support Guard	88	103LG	Screw
9	10ATX	Line Clip	49	106PM	Lever Spring	89	10HBN	Idle Gear
10	1038F	Drag Click	50	1085E	Bail Trip Lever	90	10SUE	Idle Gear C
11	102A2	Drag Click Spring	51	10764	Washer	91	10SU1	Idle Gear B Small
12	10A6G	Screw	52	10QV4	Bail Spring Cover	92	100EY	Idle Gear B
13	10JQU	Line Clip Holder	53	10LFF	Screw	93	10BGD	Ball Bearing
14	10B03	Line Clip Spring	54	10G4M	Washer	94	10AMA	Drive Gear
15	105NC	E Lock	55	10LJ3	Screw	95	10HHK	Washer
16	106VN	Spool Washer	56	10QL4	Roller Clutch Assembly	96	145C7	Side Cover
17	101Y5	Spool Support A	57	106HS	Roller Clutch Ring	97	10MBE	Screw
18	10GH5	Spool Support B	58	106MU	Bearing Washer	98	10L2E	Screw
19	10STY	Line Safety Guard Assembly	59	104PW	Ball Bearing	99	10SHT	Rear Protector
20	105RZ	E Lock	60	10SUH	Pinion Gear	100	10PMK	Screw
21	1054D	Bearing Retainer	61	10EX6	Ball Bearing	101	145AN	Handle Assembly
22	10GR8	Washer	62	10RQX	Bushing	102	13MGW	Handle Shaft Cover B
23	10RQW	Spacer	63	1053M	Anti Reverse Cam	103	145AQ	Handle Shaft Cover
24	1009E	O Ring	64	10DCS	Anti Reverse Cam Spring	104	104FH	Washer
25	145A2	Rotor Nut	65	10G2T	Anti Reverse Lever	105	104UJ	Bushing
26	10LHN	Screw	66	10LCY	Screw	106	10EU0	Bushing
27	10RZJ	Rotor Brim	67	10SHU	Idle Gear B Shaft	107	10LFA	Screw
28	105YW	Bail Spring Guide A	68	106M2	Worm Bushing	108	10SHY	Handle Knob Seal
29	10HDL	Bail Spring Guide A Collar	69	10SUG	Idle Gear C Shaft			
30	105LK	Bail Spring	70	10SUA	Handle Screw Cap			
31	107A8	Bail Spring Guide B	71	10R22	O Ring			
32	145AJ	Bail Arm	72	1461G	Body Assembly			
33	10K96	Washer	73	10SHK	Oscillating Guide B			
34	10KFA	Washer	74	10TM7	O Ring			
35	103J1	Screw	75	10SHJ	Worm Shaft			
36	1008N	Screw	76	10ECK	Spacer			
37	145AT	Bearing Spacer	77	10K9C	Washer	109	145AR	Spare Spool Assembly (accessory)
38	104VQ	Ball Bearing	78	10SU8	Worm Shaft Retainer	110	10EWH	Spool Economizer A (accessory)
39	10RAQ	Bushing	79	10SHS	Worm Bushing	111	109WH	Spool Economizer B (accessory)
40	1015S	O Ring	80	10SUC	Oscillating Guide A	112	10A9G	Spool Economizer C (accessory)