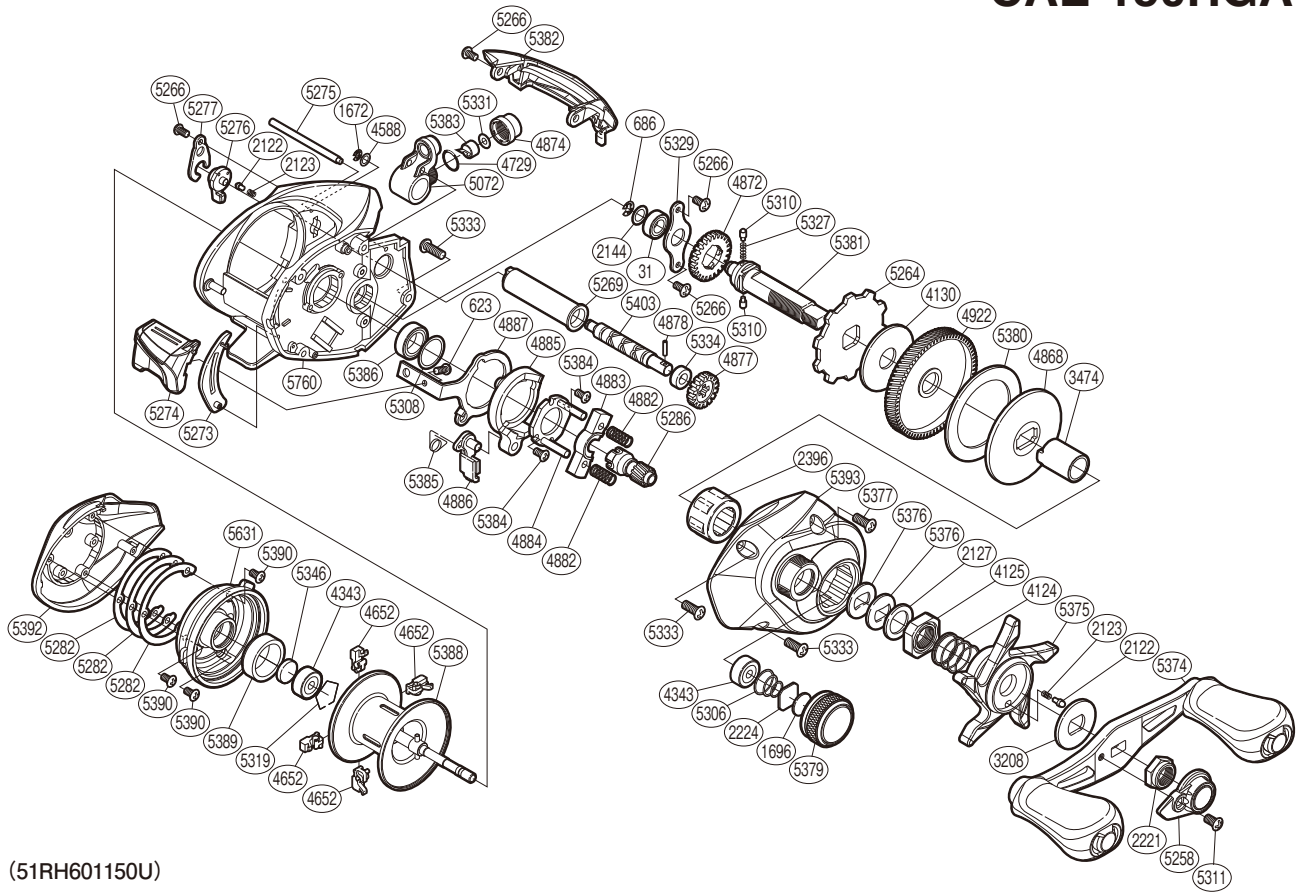


SHIMANO

CAENAN

CAE-150HGA



(51RH601150U)

| # | Part No. | Description | # | Part No. | Description | # | Part No. | Description |
|------|----------|--------------------------|------|----------|----------------------|------|----------|-----------------------|
| 31 | 105BL | Ball Bearing | 4882 | 10487 | Yoke Spring | 5331 | 104TX | Spacer |
| 623 | 103C0 | Screw | 4883 | 1046V | Yoke | 5333 | 10LFC | Screw |
| 686 | 105NK | E Lock | 4884 | 10F3X | Clutch Cam Retainer | 5334 | 10PXZ | Bushing |
| 1672 | 105NC | E Lock | 4885 | 10K0N | Clutch Cam | 5346 | 10EX5 | Spacer B |
| 1696 | 10896 | Cast Control Spacer | 4886 | 10MME | Clutch Pawl | 5374 | 10DPD | Handle Assembly |
| 2122 | 10BT0 | Click Pin | 4887 | 10QGH | Clutch Plate | 5375 | 10R0G | Star Drag |
| 2123 | 10BT2 | Click Spring | 4922 | 10CMC | Drive Gear | 5376 | 109F5 | Drag Spring Washer |
| 2127 | 10J1N | Star Drag Spacer | 5072 | 10NVR | Line Guide | 5377 | 10LSZ | Screw |
| 2144 | 10C47 | Washer | 5258 | 10Q5U | Handle Nut Plate | 5379 | 10TML | Cast Control Cap |
| 2221 | 10FNQ | Handle Nut | 5264 | 10D73 | Anti-Reverse Ratchet | 5380 | 10R3D | Drag Washer |
| 2224 | 1085F | Spool Tension Spacer | 5266 | 10R1R | Screw | 5381 | 10R0B | Drive Shaft |
| 2396 | 10F5C | Roller Clutch Bearing | 5269 | 10NFX | Level Wind Guard | 5382 | 10R11 | Level Wind Protector |
| 3208 | 10J22 | Star Drag Click Plate | 5273 | 10975 | Clutch Bar Guide | 5383 | 10BHQ | Line Guide Pawl |
| 3474 | 10MAY | Roller Clutch Inner Tube | 5274 | 10CDR | Clutch Lever | 5384 | 10L1R | Screw |
| 4124 | 10A70 | Star Drag Spring | 5275 | 10QSH | Stabilizer Bar | 5385 | 104CP | Clutch Pawl Spring |
| 4125 | 10A07 | Star Drag Nut | 5276 | 10BAY | Side Plate Cam Lever | 5386 | 10EX6 | Ball Bearing |
| 4130 | 10CHX | Drag Washer | 5277 | 10BGR | Cam Lever Retainer | 5388 | 10DP3 | Spool Assembly |
| 4343 | 105C3 | Ball Bearing | 5282 | 108F0 | Washer | 5389 | 10R0N | Brake Ring |
| 4588 | 10FJZ | Washer | 5286 | 10CSC | Pinion Gear | 5390 | 10LA4 | Screw |
| 4652 | 1046G | Brake Shoe | 5306 | 10TMT | Spool Tension Spring | 5392 | 10R0M | Left Side Plate |
| 4729 | 108WQ | O Ring | 5308 | 10190 | Washer | 5393 | 10TMH | Right Side Plate |
| 4868 | 10D3H | Key Washer | 5310 | 10HJG | Idle Gear Pin | 5403 | 10TPN | Worm Shaft |
| 4872 | 10J47 | Idle Gear | 5311 | 10LFC | Screw | 5630 | 101DK | Dial Case Assembly |
| 4874 | 10FJB | Pawl Cap | 5319 | 1054D | Bearing Retainer | 5760 | 100DB | Frame Assembly |
| 4877 | 10FNV | Idle Gear | 5327 | 10JDY | Idle Gear Spring | | | |
| 4878 | 10AEZ | Worm Shaft Pin | 5329 | 109T1 | Drive Shaft Retainer | 4692 | 10LQ0 | B-100 Oil (accessory) |

Please note that the number of adjusting washers may not be the same as shown in the exploded views.
(Adjustment will vary with each individual product.)

(241029)_006