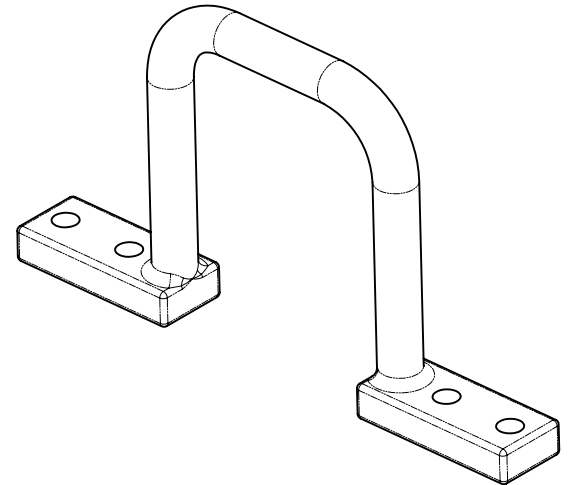
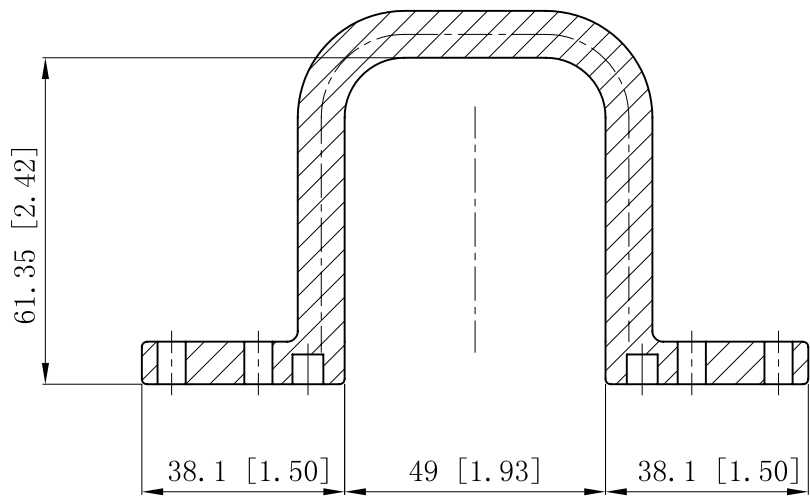
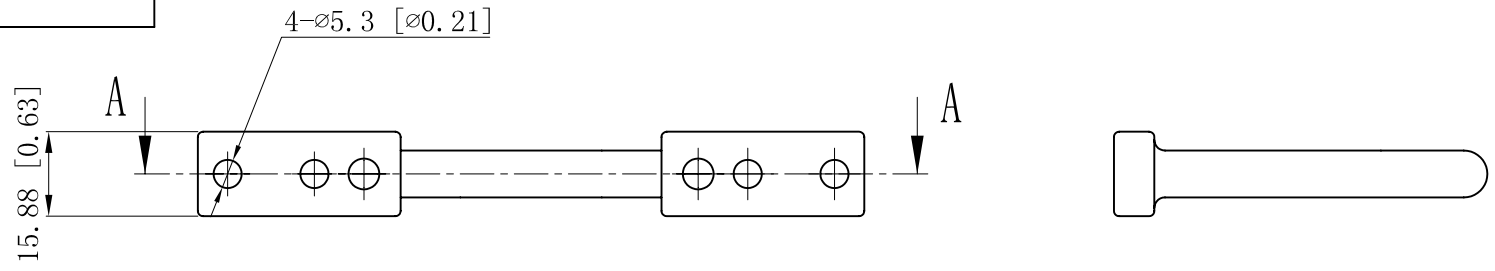


SIDES	BOTTOM
Material:PA+GF30 Gray	



DESCRIPTION
TRADE REFERENCE TERMS

STANDARD PACKING
50 PCS

This data sheet is for reference only .GARVIN INDUSTRIES reserves the right to make changes to the design without prior notice.		
GARVIN INDUSTRIES		
TITLE METAL DISTRIBUTION "D" RINGS		
SIZE A4	DWG NO. DST-200-P	REV B
DATA SHEET		