

WARNINGS AND CAUTIONS:

- **TO AVOID FIRE, SHOCK OR DEATH; TURN OFF POWER AT CIRCUIT BREAKER OR FUSE AND TEST THAT POWER IS OFF BEFORE WIRING!**
- To be installed and/or used in accordance with electrical codes and regulations.
- If you are unsure about any part of these instructions, consult an electrician.
- Decora® Digital/Decora Smart remotes are not compatible with standard 3-way or 4-way switches. They must be used with compatible Decora Digital/Decora Smart devices for multi-location switching.

WARNINGS AND CAUTIONS:

- Use this device **WITH COPPER OR COPPER CLAD WIRE ONLY.**
- Use only one (1) Decora Digital/Decora Smart dimmer or switch in a multi-location circuit with up to 9 coordinating remotes.
NOTE: The remote(s) will turn the light on at the brightness level selected at the dimmer.
- Recommended minimum wall box depth for remotes is 2-1/2".
- Maximum wire length from dimmer or switch to all installed remotes cannot exceed 300 ft (90 m).

INTRODUCTION

Decora Digital/Decora Smart Coordinating Switch Remote is designed to be used for multi-location control of Leviton's line of Decora Digital and Decora Smart Switches allowing the lighting to be controlled from the main switch or the remote location. Its stylish look is compatible with Leviton's other Decora devices and wallplates (sold separately). White face assembled on device with ivory and light almond face plates included.

FEATURES

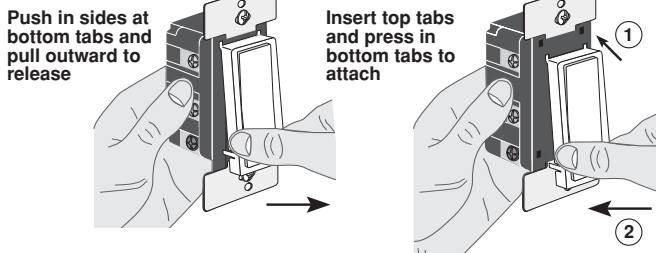
- Three way communication
- Ease of installation – No new wiring

TOOLS NEEDED TO INSTALL YOUR REMOTE

- | | | |
|------------------------------|-----------------|--------|
| Slotted/Phillips Screwdriver | Electrical Tape | Pliers |
| Pencil | Cutters | Ruler |

Changing the color of your Remote:

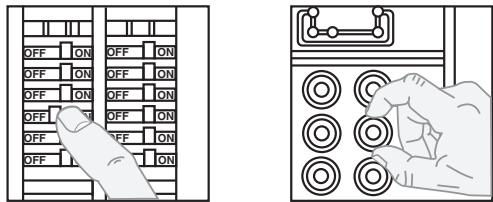
Your remote may include color options. To change color of the face proceed as follows:



INSTALLING YOUR REMOTE

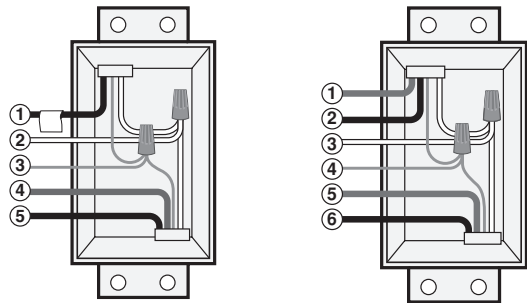
NOTE: Use check boxes when Steps are completed.

Step 1 **WARNING: TO AVOID FIRE, SHOCK OR DEATH; TURN OFF POWER** at circuit breaker or fuse and test that power is off before wiring!



Step 2 **Identifying your wiring application (most common):**

NOTE: If the wiring in the wall box does not resemble any of these configurations, consult an electrician.



3-Way

1. Line or Load (Tagged)
2. Neutral
3. Ground
4. First Traveler (note color)
5. Second Traveler (note color)

NOTE: The first traveler wire is used to carry line power to the other switch box.

4-Way

1. First Traveler (note color)
2. Second Traveler (note color)
3. Neutral
4. Ground
5. Third Traveler (note color)
6. Fourth Traveler (note color)

NOTE: The first and third traveler wires are used to carry line power to the other switch boxes.

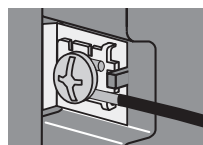
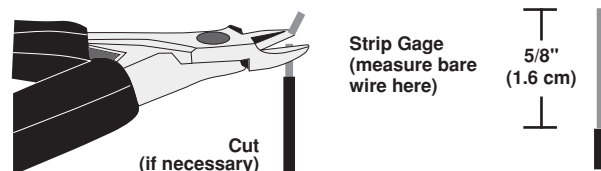
IMPORTANT:

For 3-Way applications, note that one of the screw terminals from the old switch being removed will usually be a different color (Black) or labeled Common. Tag that wire with electrical tape and identify as the common (Line or Load) in both the dimmer wall box and remote wall box.

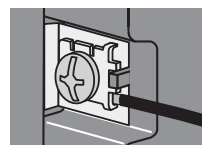
For 4-Way applications, note that the old switch being removed will have 4 screws plus a ground screw. Tag the two wires connected to the two back screw terminals.

Step 3 **Preparing and connecting wires:**

This remote can be wired using side wire terminal screws or through backwire openings.



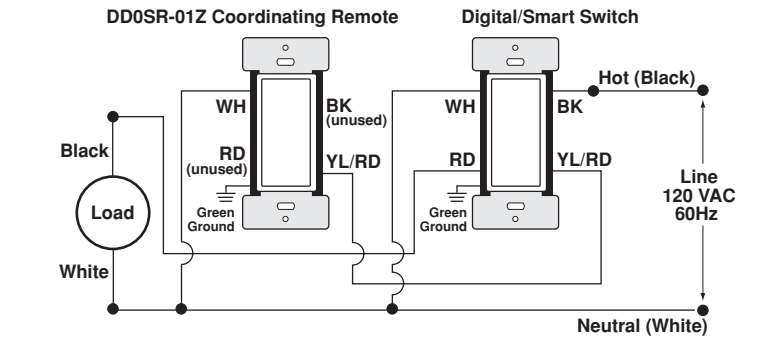
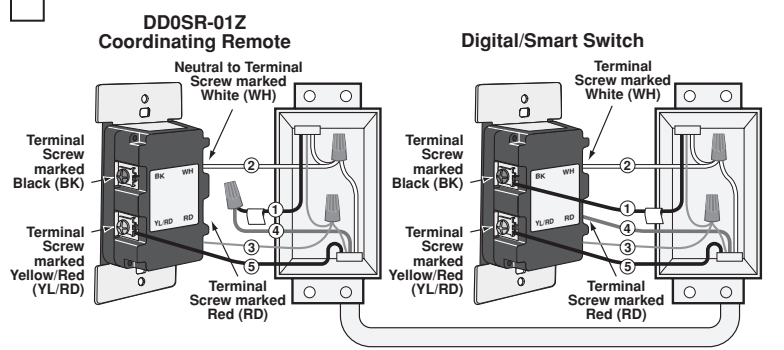
Side Wire Connection
 Side wire terminals accept #14-12 AWG solid copper wire only.



Back Wire Connection
 Back wire openings accept #14-12 AWG solid copper wire only.

- Make sure that the ends of the wires from the wall box are **straight (cut if necessary).**
- Remove insulation from wires in the wall box as shown.

Step 4a **3-Way Wiring - Digital/Smart Switch with DD0SR-01Z Coordinating Remote Application:**



NOTE: DDS15, DW15S, DH15S, DZ15S and DL15S are compatible with DD0SR-01Z.
NOTE: The DD0SR-01Z coordinating remote must be installed in a wall box with a Neutral connection.

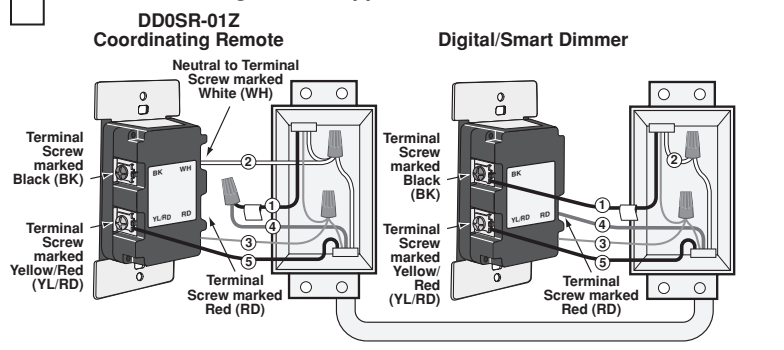
WIRING DD0SR-01Z COORDINATING REMOTE (wall box with load connection):
Connect wires per WIRING DIAGRAM as follows:

- Green or bare copper wire in wall box to Green terminal screw.
- Load wall box wire identified (tagged) when removing old switch to First Traveler (note color as above).
- Second Traveler wall box wire (note color as above) to terminal screw marked "YL/RD". This traveler from the remote must go to the terminal screw on the switch marked "YL/RD".
- Neutral wall box wire to terminal screw marked "WH".

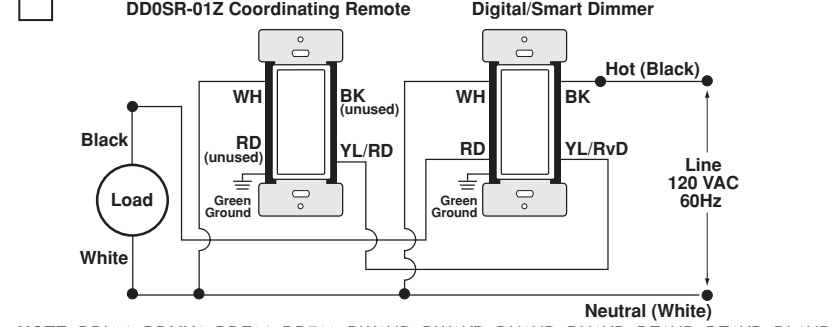
WIRING DIGITAL/SMART SWITCH (wall box with line hot connection):
Connect wires per WIRING DIAGRAM as follows:

- Green or bare copper wire in wall box to Green terminal screw.
- Line Hot (common) wall box wire identified (tagged) when removing old switch to terminal screw marked "BK".
- First Traveler wall box wire to terminal screw marked "RD" (note wire color).
- Remove Red insulating label from terminal screw marked "YL/RD".
- Second Traveler wall box wire to terminal screw marked "YL/RD" (note wire color). This traveler from the switch must go to the terminal screw on the remote marked "YL/RD".
- Neutral wall box wire to terminal screw marked "WH".
- **Proceed to Step 5.**

Step 4b **3-Way Wiring - Digital/Smart Dimmer with DD0SR-01Z Coordinating Remote Application:**



Step 4b **3-Way Wiring - Digital/Smart Dimmer with DD0SR-01Z Coordinating Remote Application:**



NOTE: DDL06, DDMX1, DDE06, DD710, DW6HD, DW1KD, DH6HD, DH1KD, DZ6HD, DZ1KD, DL6HD and DL1KD are compatible with DD0SR-01Z.

NOTE: The Digital/Smart Dimmer must be installed in a wall box that has a Load connection. The DD0SR-01Z coordinating remote must be installed in a wall box with a Neutral connection.

NOTE: When used with a Digital/Smart Dimmer, dimming can only be performed from the dimmer location.

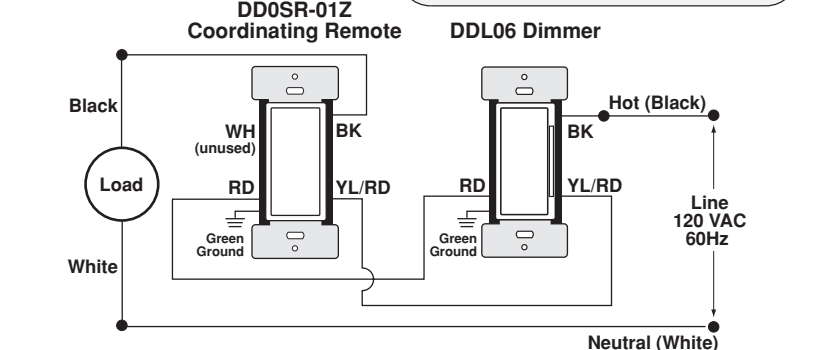
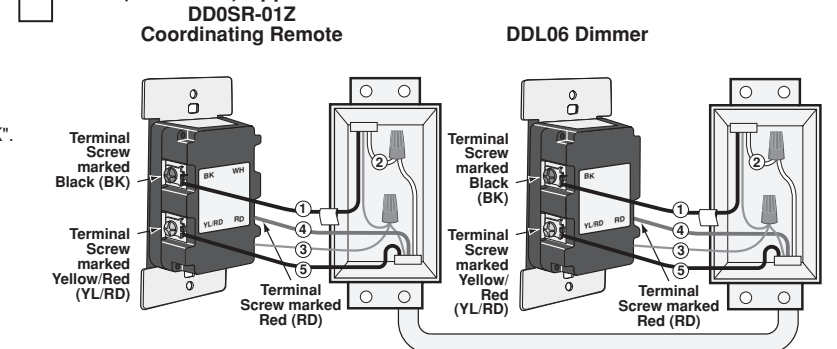
WIRING DD0SR-01Z COORDINATING REMOTE (wall box with load connection):
Connect wires per WIRING DIAGRAM as follows:

- Green or bare copper wire in wall box to Green terminal screw.
- Load wall box wire identified (tagged) when removing old switch to First Traveler (note color as above).
- Second Traveler wall box wire (note color as above) to terminal screw marked "YL/RD". This traveler from the remote must go to the terminal screw on the dimmer marked "YL/RD".
- Line Neutral wall box wire to terminal screw marked "WH".

WIRING DIGITAL/SMART DIMMER (wall box with line hot connection):
Connect wires per WIRING DIAGRAM as follows:

- Green or bare copper wire in wall box to Green terminal screw.
- Line Hot (common) wall box wire identified (tagged) when removing old switch to terminal screw marked "BK".
- First Traveler wall box wire to terminal screw marked "RD" (note wire color).
- Remove Red insulating label from terminal screw marked "YL/RD".
- Second Traveler wall box wire to terminal screw marked "YL/RD" (note wire color). This traveler from the dimmer must go to the terminal screw on the remote marked "YL/RD".
- Neutral wall box wire to terminal screw marked "WH".
- **Proceed to Step 5.**

Step 4c **3-Way Wiring - DDL06 Dimmer with DD0SR-01Z Coordinating Remote (no neutral) Application:**



Step 4c cont'd. 3-Way Wiring - DDL06 Dimmer with DD0SR-01Z Coordinating Remote (no neutral) Application:

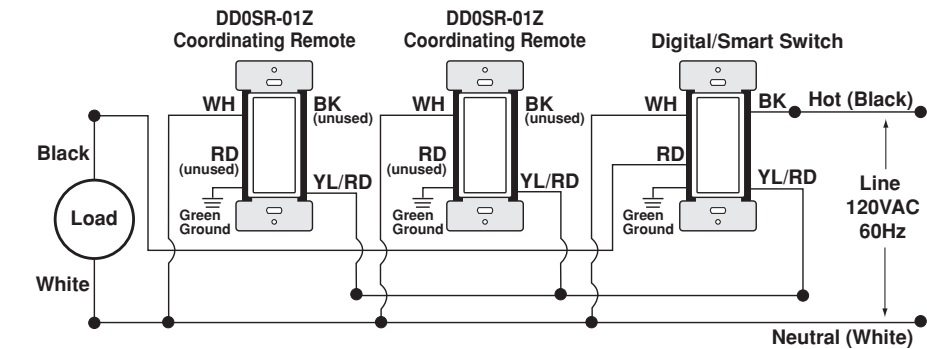
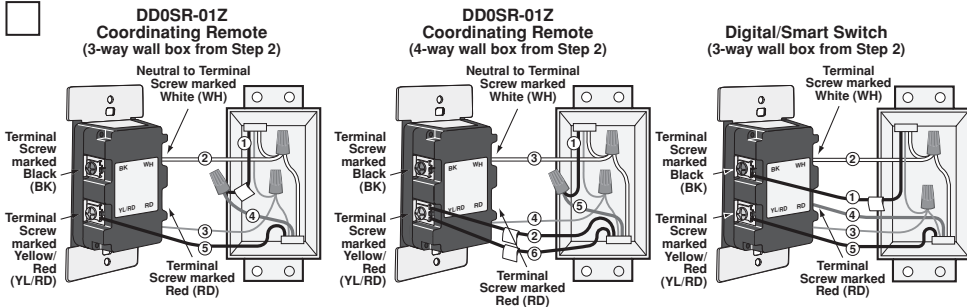
WIRING COORDINATING DD0SR-01Z REMOTE:
Connect wires per WIRING DIAGRAM as follows:

- Load wall box wire identified (tagged) when removing old switch to terminal screw marked "BK".
- First Traveler wall box wire (note color) to terminal screw marked "RD". This traveler from the remote must go to the terminal screw on the dimmer marked "RD".
- Green or bare copper wire in wall box to Green terminal screw.
- Load wall box wire identified (tagged) when removing old switch to First Traveler (note color as above).
- Second Traveler wall box wire (note color) to terminal screw marked "YL/RD". This traveler from the remote must go to the terminal screw on the dimmer marked "YL/RD".

WIRING DIGITAL/SMART DIMMER:
Connect wires per WIRING DIAGRAM as follows:

- Green or bare copper wire in wall box to Green terminal screw.
- Line Hot (common) wall box wire identified (tagged) when removing old switch to terminal screw marked "BK".
- First Traveler wall box wire to terminal screw marked "RD" (note wire color).
- Remove Red insulating label from terminal screw marked "YL/RD".
- Second Traveler wall box wire to terminal screw marked "YL/RD" (note wire color). This traveler from the dimmer must go to the terminal screw on the remote marked "YL/RD".
- Proceed to Step 5.

Step 4d 4-Way Wiring - Digital/Smart Switch with DD0SR-01Z Coordinating Remotes Application:



NOTE: DDS15, DW15S, DH15S, DZ15S and DL15S are compatible with DD0SR-01Z
NOTE: The DDS15 switch must be installed in a wall box that has a Load connection. The DD0SR-01Z coordinating remotes must be installed in a wall box with a Neutral connection.
NOTE: "BK" and "RD" terminals on coordinating remotes are unused. Tighten screws.

WIRING DIGITAL/SMART SWITCH (3-Way wall box with Line Hot connection):

Connect wires per WIRING DIAGRAM as follows:

- Green or bare copper wire in wall box to Green terminal screw.
- Line Hot (common) wall box wire identified (tagged) when removing old switch to terminal screw marked "BK".
- First Traveler wall box wire to terminal screw marked "RD" (note wire color).
- Remove Red insulating label from terminal screw marked "YL/RD".
- Second Traveler wall box wire to terminal screw marked "YL/RD" (note wire color). This traveler from the remote must go to the terminal screw on the switch marked "YL/RD".
- Neutral wall box wire to terminal screw marked "WH".

WIRING DD0SR-01Z COORDINATING REMOTE (4-Way box):

Connect wires per WIRING DIAGRAM as follows:

NOTE: Use backwire connections when connecting two wires to one screw terminal.

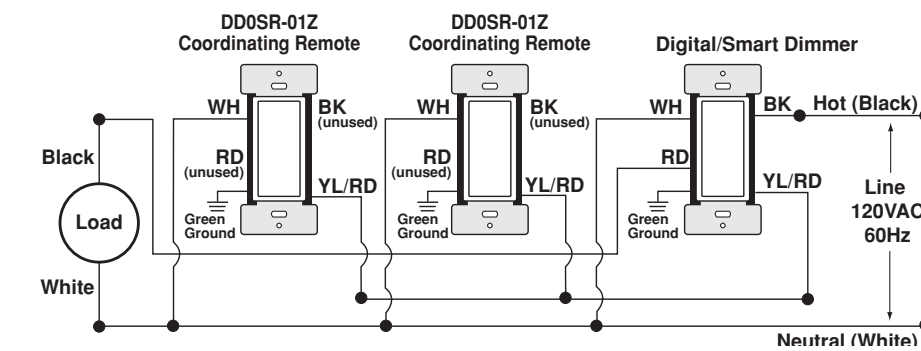
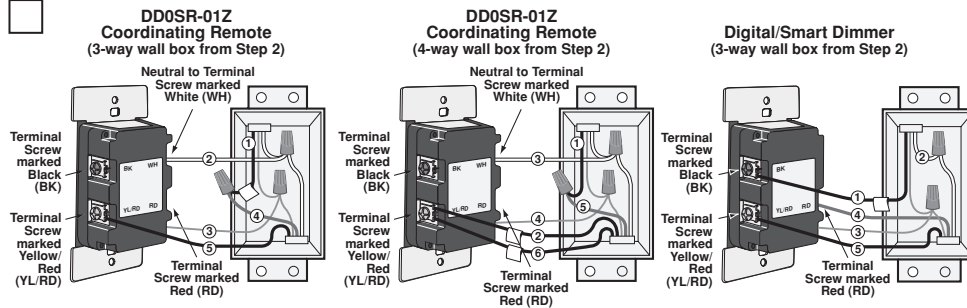
- Green or bare copper wire in wall box to Green terminal screw.
- Connect the First and Third Traveler wires together (note wire colors) with a wire nut.
- Second and Fourth Traveler wires (note wire colors) to terminal screw marked "YL/RD". This traveler from the remote must go to the terminal screw on the switch marked "YL/RD".
- Neutral wall box wire to terminal screw marked "WH".

WIRING DD0SR-01Z COORDINATING REMOTE (3-Way box with Load connection):

Connect wires per WIRING DIAGRAM as follows:

- Green or bare copper wire in wall box to Green terminal screw.
- Load wall box wire identified (tagged) when removing old switch to Third Traveler wire (color noted above).
- Fourth Traveler wire (color noted above) to terminal screw marked "YL/RD". This traveler from the remote must go to the terminal screw on the switch marked "YL/RD".
- Neutral wall box wire to the terminal screw marked "WH".
- Proceed to Step 5.

Step 4e 4-Way Wiring - Digital/Smart Dimmer with DD0SR-01Z Coordinating Remotes Application:



NOTE: The DD0SR-01Z coordinating remotes must be installed in a wall box with a Neutral connection.
NOTE: "BK" and "RD" terminals on coordinating remotes are unused. Tighten screws.

WIRING DIGITAL/SMART DIMMER (3-Way wall box with Line Hot connection):

Connect wires per WIRING DIAGRAM as follows:

- Green or bare copper wire in wall box to Green terminal screw.
- Line Hot (common) wall box wire identified (tagged) when removing old switch to terminal screw marked "BK".
- First Traveler wall box wire to terminal screw marked "RD" (note wire color).
- Remove Red insulating label from terminal screw marked "YL/RD".
- Second Traveler wall box wire to terminal screw marked "YL/RD" (note wire color). This traveler from the dimmer must go to the terminal screw on the remote marked "YL/RD".

WIRING DD0SR-01Z COORDINATING REMOTE (4-Way box):

Connect wires per WIRING DIAGRAM as follows:

NOTE: Use backwire connections when connecting two wires to one screw terminal.

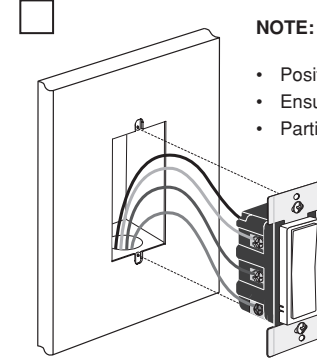
- Green or bare copper wire in wall box to Green terminal screw.
- Connect the First and Third Traveler wires together (note wire colors) with a wire nut.
- Second and Fourth Traveler wires (note wire colors) to terminal screw marked "YL/RD". This traveler from the remote must go to the terminal screw on the dimmer marked "YL/RD".
- Neutral wall box wire to terminal screw marked "WH".

WIRING DD0SR-01Z COORDINATING REMOTE (3-Way box with Load connection):

Connect wires per WIRING DIAGRAM as follows:

- Green or bare copper wire in wall box to Green terminal screw.
- Load wall box wire identified (tagged) when removing old switch to Third Traveler wire (color noted above).
- Fourth Traveler wire (color noted above) to terminal screw marked "YL/RD". This traveler from the remote must go to the terminal screw on the dimmer marked "YL/RD".
- Neutral wall box wire to the terminal screw marked "WH".
- Proceed to Step 5.

Step 5 Testing your Remote prior to completely mounting in wall box:



NOTE: Master dimmer or switch must also be installed.

- Position all wires to provide room in outlet wall box for device.
- Ensure that the word "TOP" is facing up on the device strap.
- Partially screw in mounting screws in wall box mounting holes.

NOTE: Dress wires with a bend as shown in diagram in order to relieve stress when mounting device.

- Restore power at circuit breaker or fuse.
- See applicable operation section to ensure dimmer or switch is functioning properly.
- If lights do not turn ON, refer to the TROUBLESHOOTING section.

Step 6 Remote Mounting:
TURN OFF POWER AT CIRCUIT BREAKER OR FUSE.

Installation may now be completed by tightening mounting screws into wall box. Attach wallplate.

Step 7 Restore Power:
Restore power at circuit breaker or fuse. Installation is complete.

OPERATION

DD0SR Switch Remote Operation:

NOTE: The lighting can be switched from either the switch or the remote location.

Push Pad (Default settings)

Turn ON from OFF position:
Tap TOP of rocker – Lights turn ON.

Turn OFF from ON position:
Tap BOTTOM of rocker – Lights turn OFF.

CLEANING: Clean with a damp cloth. DO NOT use chemical cleaners.

TROUBLESHOOTING

- **Lights Flickering**
 - Lamp has a bad connection.
 - Wires not secured firmly under terminal screws of dimmer, switch and/or remote.
- **Light does not turn ON**
 - Circuit breaker or fuse has tripped.
 - Lamp is burned out.
 - Lamp Neutral connection is not wired.
- **Remote does not operate lights**
 - Ensure that total wire length does not exceed 300 ft (90 m).
 - Ensure master dimmer or switch is installed properly.

For additional information, contact Leviton's Techline at 1-800-824-3005 or visit Leviton's website at www.leviton.com

FCC COMPLIANCE STATEMENT

This device complies with Part 15 of the FCC Rules. Operation is subject to following two conditions: (1) this device may not cause harmful interference, and (2) this device must accept any interference received, including interference that may cause undesired operation of the device. This equipment has been tested and found to comply with the limits for a Class B Digital Device, pursuant to Part 15 of the FCC Rules. These limits are designed to provide reasonable protection against harmful interference in a residential installation. This equipment generates, uses, and can radiate radio frequency energy and, if not installed and used in accordance with the instructions, may cause harmful interference to radio communications. However, there is no guarantee that interference will not occur in a particular installation. If this equipment does cause harmful interference to radio or television reception, which can be determined by turning the equipment OFF and ON, the user is encouraged to try to correct the interference by one or more of the following measures:

- Reorient or relocate the receiving Antenna.
- Increase the separation between the equipment and the receiver.
- Connect the equipment into an outlet on a circuit different from that to which the receiver is connected.
- Consult the dealer or an experienced radio/television technician for help.

FCC CAUTION

Any changes or modifications not expressly approved by Leviton Manufacturing Co., Inc., could void the user's authority to operate the equipment.

Copyright and Trademark Information

The Bluetooth® word mark and logos are registered trademarks owned by Bluetooth SIG, Inc., used under license by Leviton. Use herein of third party trademarks, service marks, trade names, brand names and/or product names are for informational purposes only, are/may be the trademarks of their respective owners; such use is not meant to imply affiliation, sponsorship, or endorsement. No part of this document may be reproduced, transmitted or transcribed without the express written permission of Leviton Manufacturing Co., Inc.

This product is covered by U.S. Patent Nos.: 7,683,755; 8,944,859 and corresponding foreign patents.

FOR CANADA ONLY

For warranty information and/or product returns, residents of Canada should contact Leviton in writing at **Leviton Manufacturing of Canada ULC to the attention of the Quality Assurance Department, 165 Hymus Blvd, Pointe-Claire (Quebec), Canada H9R 1E9** or by telephone at 1-800-405-5320.

© 2019 Leviton Mfg. Co., Inc.

DI-000-DD0SR-02B

LIMITED 5 YEAR WARRANTY AND EXCLUSIONS

Leviton warrants to the original consumer purchaser and not for the benefit of anyone else that this product at the time of its sale by Leviton is free of defects in materials and workmanship under normal and proper use for five years from the purchase date. Leviton's only obligation is to correct such defects by repair or replacement, at its option. For details visit www.leviton.com or call 1-800-824-3005. This warranty excludes and there is disclaimed liability for removal of this product or reinstallation. This warranty is void if this product is installed improperly or in an improper environment, overloaded, misused, opened, abused, or altered in any manner, or is not used under normal operating conditions or not in accordance with any labels or instructions. There are no other or implied warranties of any kind, including merchantability and fitness for a particular purpose, but if any implied warranty is required by the applicable jurisdiction, the duration of any such implied warranty, including merchantability and fitness for a particular purpose, is limited to five years. Leviton is not liable for incidental, indirect, special, or consequential damages, including without limitation, damage to, or loss of use of, any equipment, lost sales or profits or delay or failure to perform this warranty obligation. The remedies provided herein are the exclusive remedies under this warranty, whether based on contract, tort or otherwise.