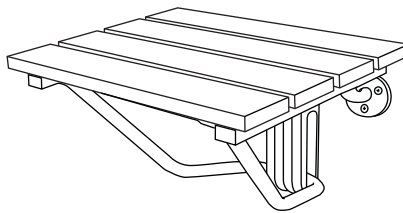
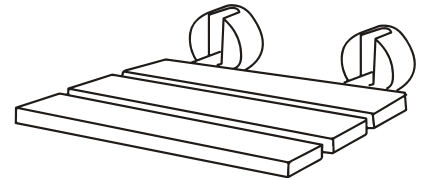


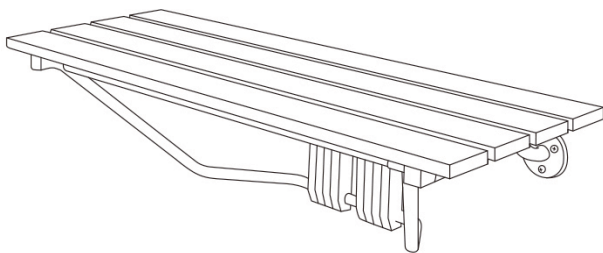
SS-K-\*\*



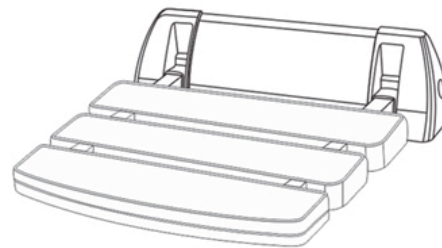
SS-F



D7 \*\*



SSP-SS-D-CH



SS-C

# **DON'T WAIT! REGISTER NOW!**

Register your product within 90 days to ensure your shower seat is recognized as an official purchase and is eligible for warranty coverage.

Register online at <https://www.SteamSpa.com/register/> or scan the QR code at Page 2.



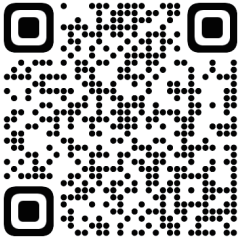
## PRODUCT REGISTRATION\*

**IMPORTANT:** Warranty will not be recognized unless product is registered.

Register online at [www.SteamSpa.com/register](http://www.SteamSpa.com/register) or Scan the QR code below.  
Registering online is fast, secure, and ensures we receive your information.

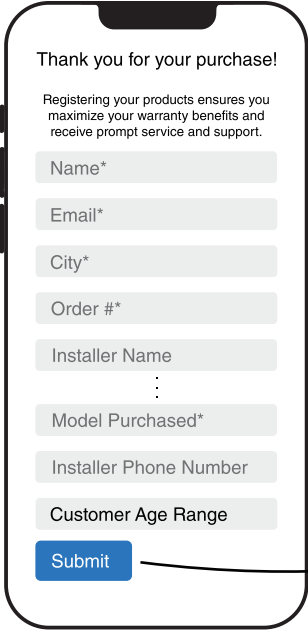
**1**

USE YOUR PHONE CAMERA  
TO SCAN THE QR CODE



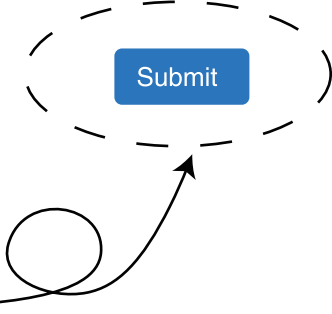
**2**

FILL IN A QUICK  
REGISTRATION FORM



**3**

CLICK SUBMIT AND  
ENJOY PEACE OF MIND



# INSTALLATION GUIDE

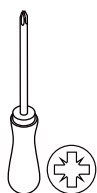
## BEFORE YOU BEGIN

- Please check the product for damage and missing parts immediately upon delivery. Damage reported later will not be covered by our warranty. Please handle the product with care. Avoid any impact to the surface.
- Please note that you should consult your local building codes with questions on installation compliance standards. Building and plumbing codes may vary by location, and SteamSpa is not responsible for code compliance standards for your project and will not accept any returns.
- **Additional wall support is required:**  
Installation of the wall mounted shower seat may need additional wood framing in a place of installation. You may need to remove a portion of the sheetrock with tiles to install the wooden block. If you have an access from the back it will be easier to cut a piece of sheetrock to install this additional wood framing.

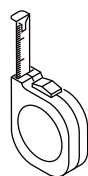
## WARNING

- TO PREVENT SERIOUS OR FATAL INJURY:  
Insure product is assembled and used properly. FOR USE ONLY BY PERSONS WEIGHING LESS THAN 350 POUNDS(for model SS-K-\*\* and SS-C), 396 POUNDS(for model SSP-SS-D-CH), 400 POUNDS(for model SS-F and D7 \*\*). Failure to follow correct assembly procedures can cause the seat to become unstable. DO NOT jump on, stand on or tilt. Contact SteamSpa immediately if any components are missing or damaged. Do not modify or substitute any components. FOR QUESTIONS OR ASSISTANCE WITH ASSEMBLY CONTACT SteamSpa. Consult healthcare professional for advice and instructions specific to user's needs before use.
- This shower seat **MUST NOT** be mounted to sheetrock, drywall, plaster, fiberglass, acrylic or other similar wall surfaces without appropriate wood or steel backing support material.

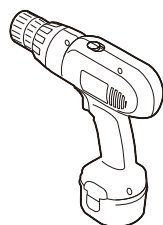
## TOOLS REQUIRED



Screw driver



Tape Measure



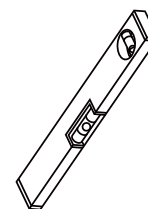
Drill



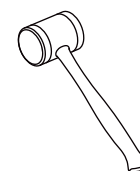
Drill Bit



Pencil



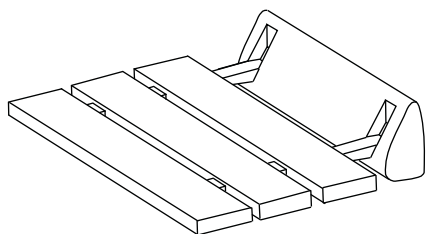
Level



Rubber Mallet

## COMPONENTS

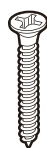
### SS-K-\*\*



[01]



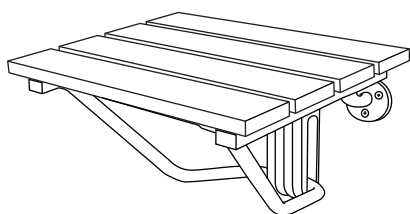
[02]



[03]

Part	Description	Qty.
[01]	Shower Seat	1
[02]	Anchor	7
[03]	Screw #10 x 2.36"	7

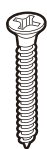
### SS-F



[01]



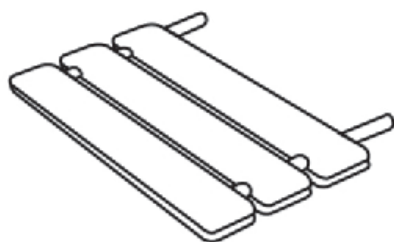
[02]



[03]

Part	Description	Qty.
[01]	Shower Seat	1
[02]	Anchor	10
[03]	Screw #10 x 2.75"	10

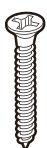
### D7-\*\*



[01]



[02]

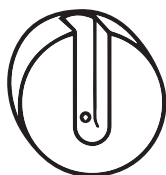


[03]

Part	Description	Qty.
[01]	Shower Seat	1
[02]	Anchor	8
[03]	Screw #10 x 2.36"	8
[04]	Wall Bracket	2
[05]	Cover	2
[06]	Pin	2
[07]	Cap	2



[04]



[05]



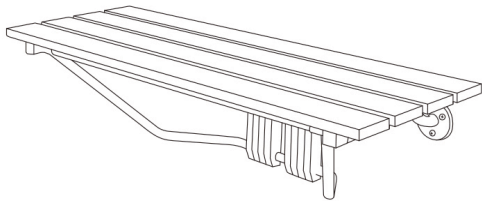
[06]



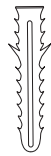
[07]

## COMPONENTS

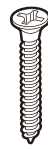
### SSP-SS-D-CH



[01]



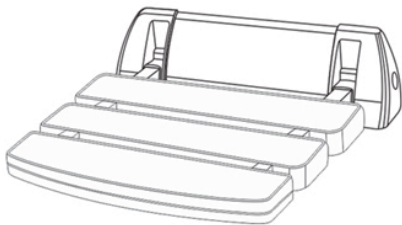
[02]



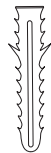
[03]

Part	Description	Qty.
[01]	Shower Seat	1
[02]	Anchor	14
[03]	Screw #10 x 2.75"	14

### SS-C



[01]



[02]

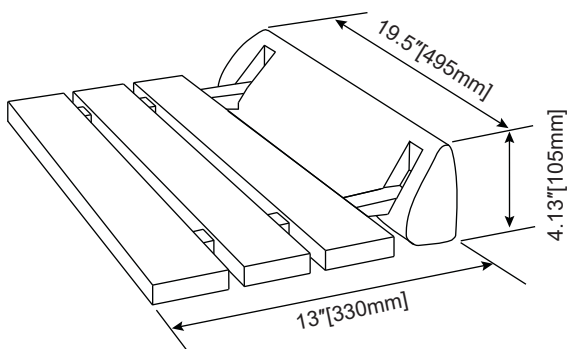


[03]

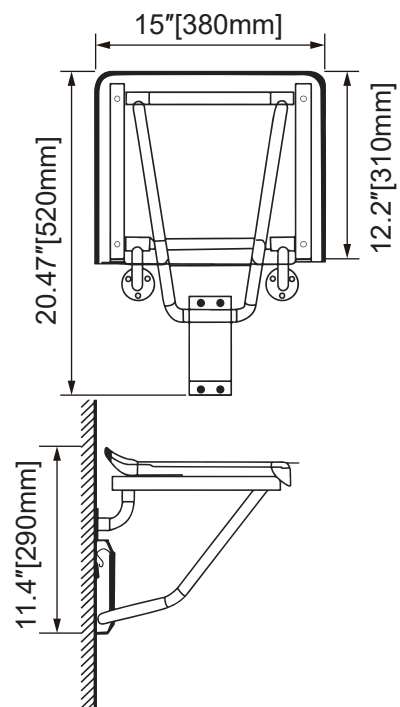
Part	Description	Qty.
[01]	Shower Seat	1
[02]	Anchor	5
[03]	Screw #10 x 2.75"	5

## PRODUCT SIZE CHART

### SS-K-\*\*

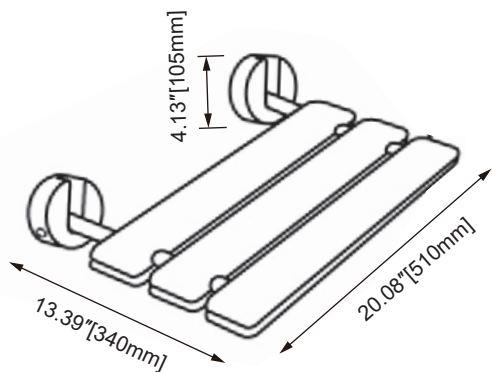


### SS-F

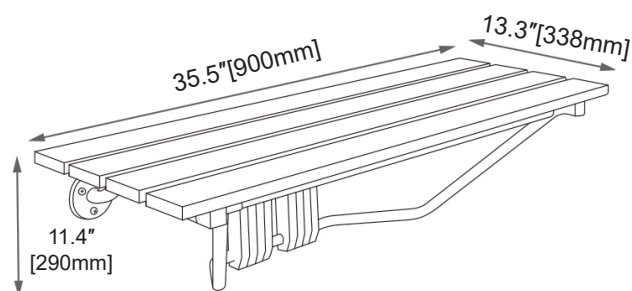


## PRODUCT SIZE CHART

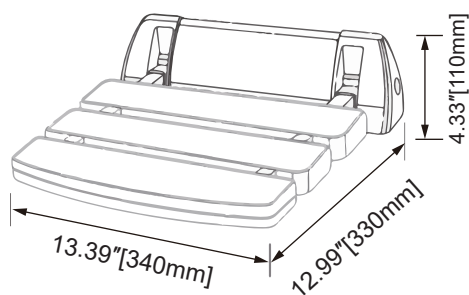
D7\*\*



SSP-SS-D-CH

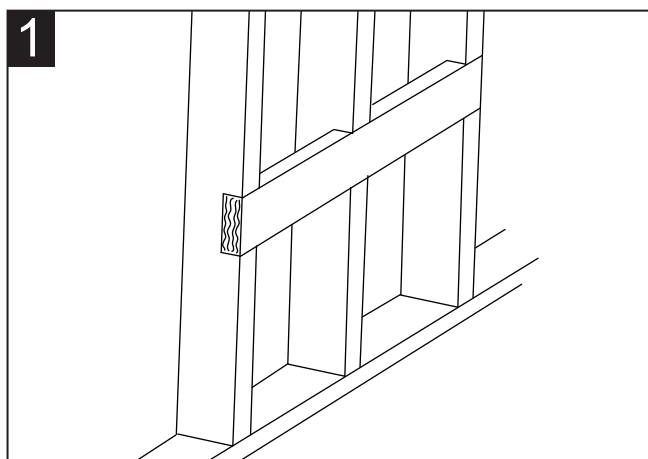


SS-C



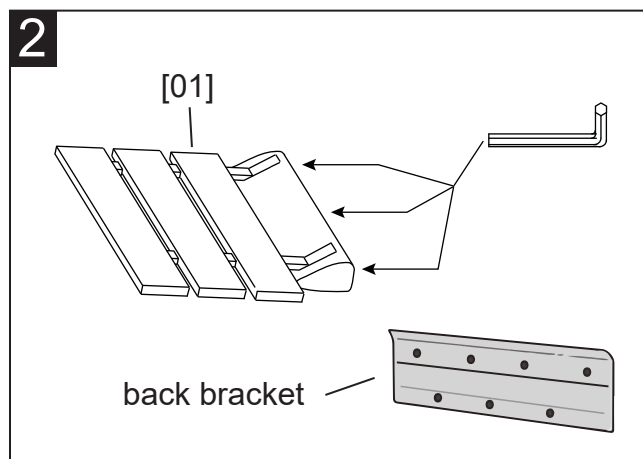
## INSTALLATION

SS-K-\*\*



### STEP 1

Make sure there is wood frame behind the wall as figure shows.



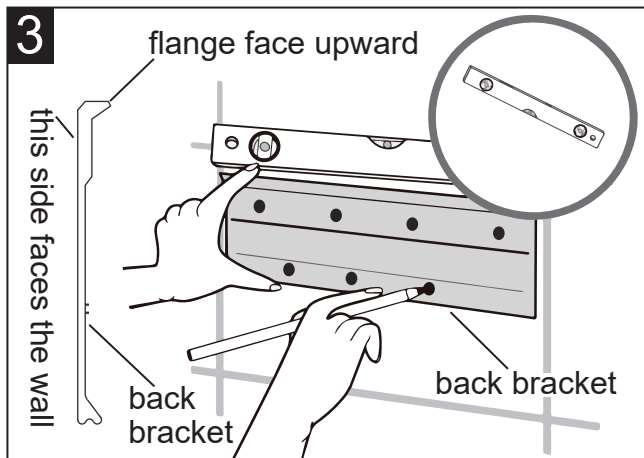
### STEP 2

Take out the **Shower Seat [01]** from the box and remove the **back bracket** by loosening the screws as figure shows.

**NOTICE: Record the direction of the back bracket inside the Shower Seat [01].**

## INSTALLATION

SS-K-\*\*

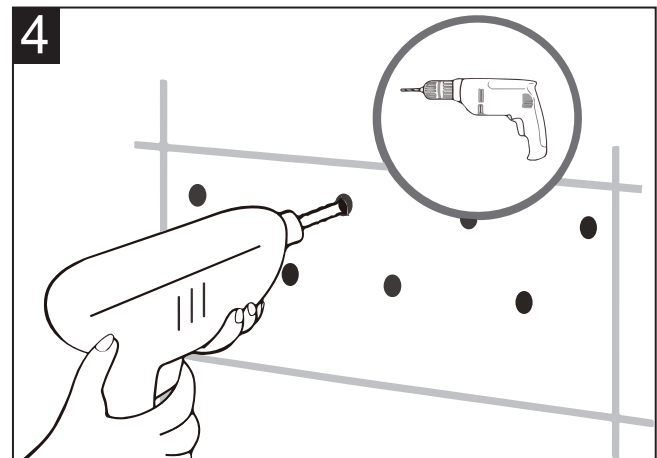


### STEP 3

- a. Identify the mounting location of the **Shower Seat [01]**. Adjust the **back bracket** to make sure it is level and hold it on the wall.

**NOTICE:** Make sure the flange of **back bracket** face upward. The flat surface of back bracket faces to the wall.

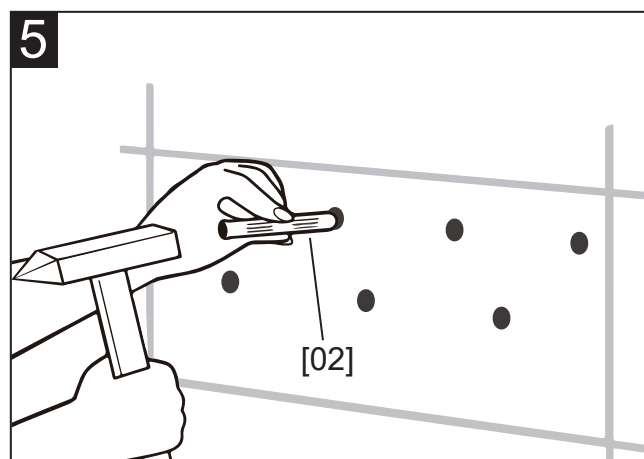
- b. Mark the screw holes through the **back bracket** on the wall.



### STEP 4

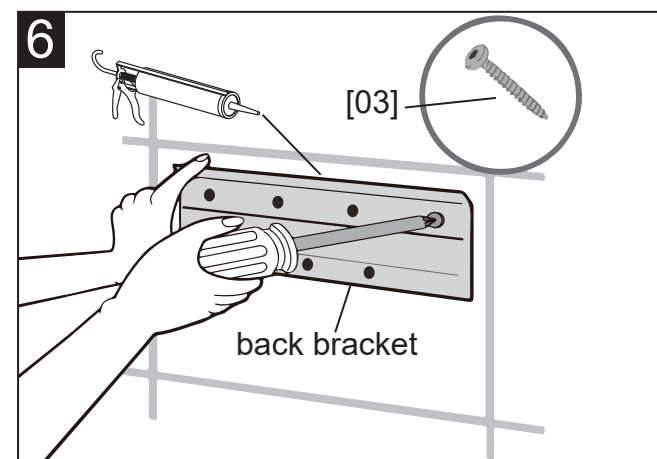
Set aside the shower seat and drill 1/8" pilot holes through tile in each mounting location if drilling into wooden stud. Then drill 1/4" holes through the tile only at the same locations to allow the wood screw to pass through. Drill 5/16" hole through tile in each mounting location if drilling into concrete.

**NOTICE:** The pilot hole size is for soften wood. Try to drill bigger holes for hard wood.



### STEP 5

Insert **Anchors [02]** for solid wall made by concrete material.



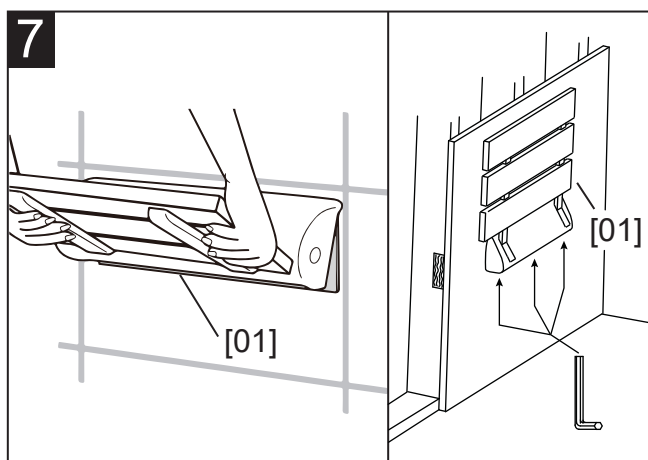
### STEP 6

Secure the **back bracket of Shower Seat [01]** to the wall using the **Screws [03]**.

**NOTICE:** Use silicone between **back bracket** and the wall to ensure a water-tight seal.

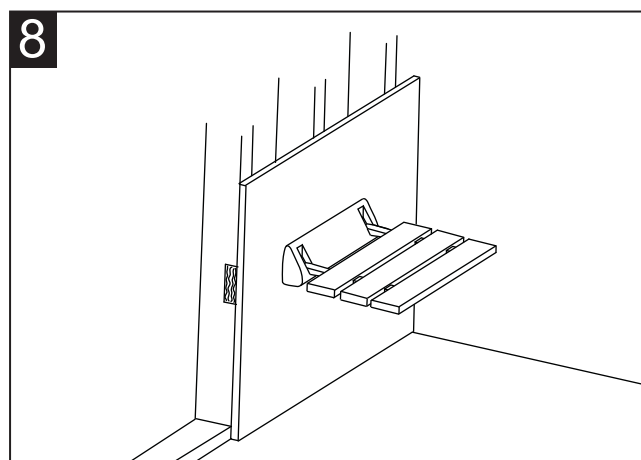
## INSTALLATION

SS-K-\*\*



### STEP 7

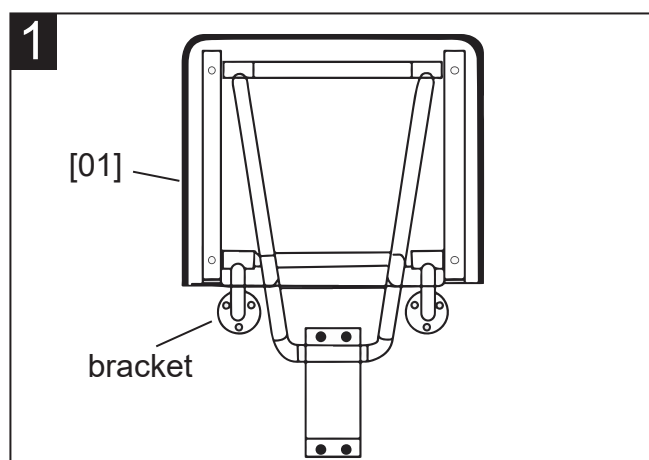
Install the **Shower Seat [01]** to the **back bracket** and secure it by tighten the screws under the **Shower Seat [01]**.



### STEP 8

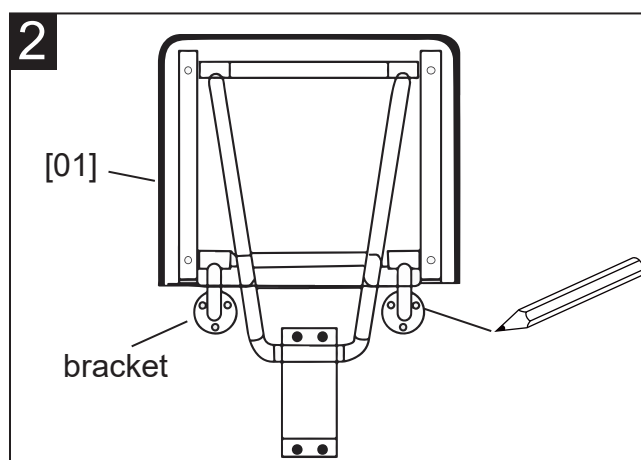
Test the seat to make sure it is secure.

SS-F



### STEP 1

Take out the **Shower Seat [01]** from the box and pull down the **brackets** as figure shows to reveal the mounting holes on the **brackets**.



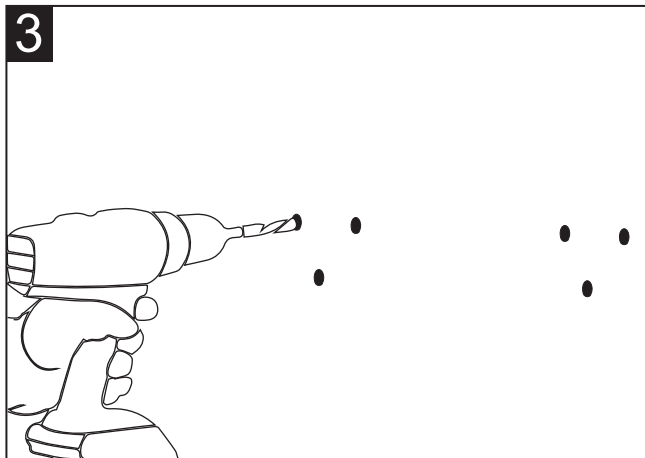
### STEP 2

- Identify the mounting location of the **Shower Seat [01]** making sure the shower seat is level.
- Mark the screw holes of **brackets** once the desired location is determined.



## INSTALLATION

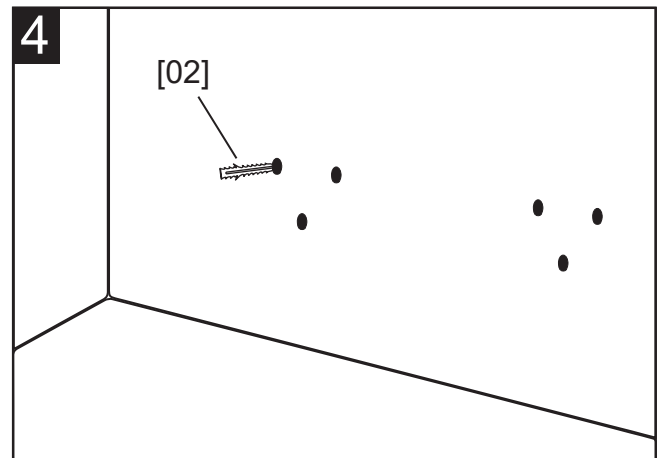
SS-F



### STEP 3

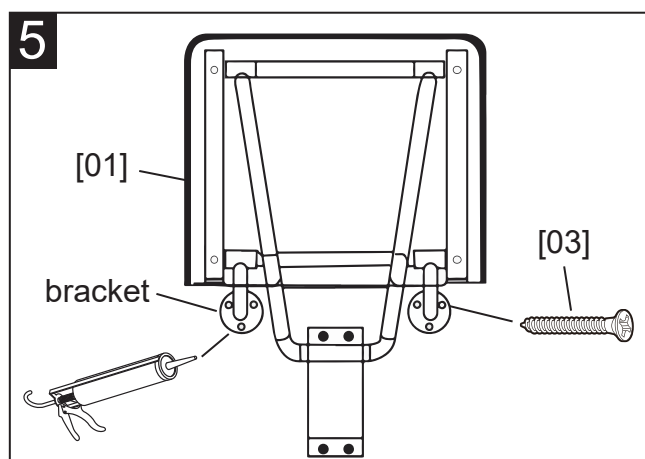
Set aside the shower seat and drill 1/8" pilot holes through tile in each mounting location if drilling into wooden stud. Then drill 1/4" holes through the tile only at the same locations to allow the wood screw to pass through. Drill 5/16" hole through tile in each mounting location if drilling into concrete.

**NOTICE:** The pilot hole size is for softwood. Try to drill bigger holes for hard wood.



### STEP 4

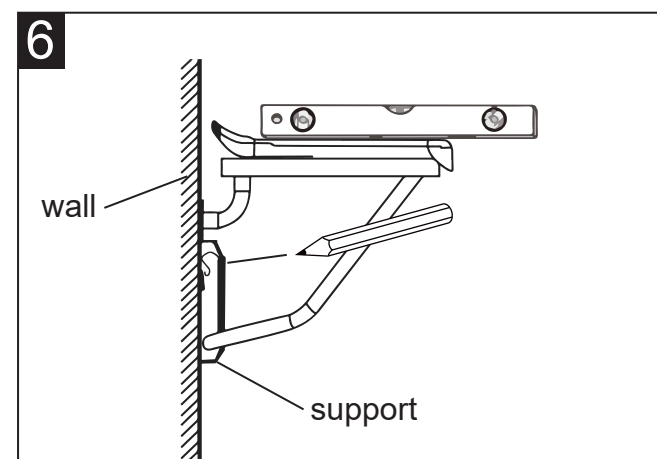
Insert **Anchors [02]** for solid wall made by concrete material.



### STEP 5

Secure the **brackets of Shower Seat [01]** to the wall using the **Screws [03]**.

**NOTICE:** Use silicone between **brackets** and the wall to ensure a water-tight seal.

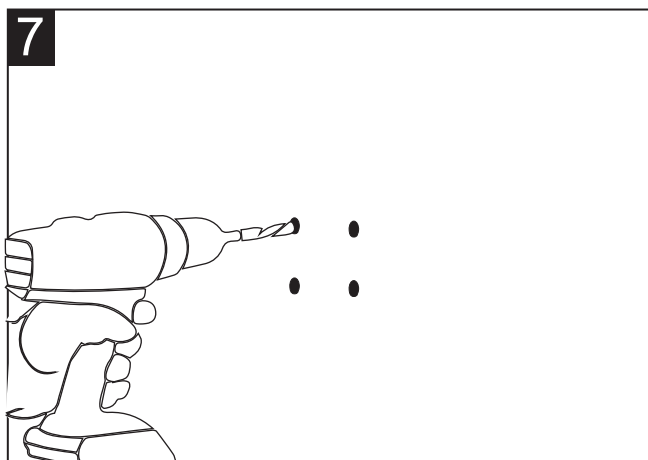


### STEP 6

- Unfold the **Shower Seat [01]** and adjust it to a level position.
- Slightly push the **support** to the wall and slide it up until it stops.
- Mark the screw holes of **support** on the wall.

## INSTALLATION

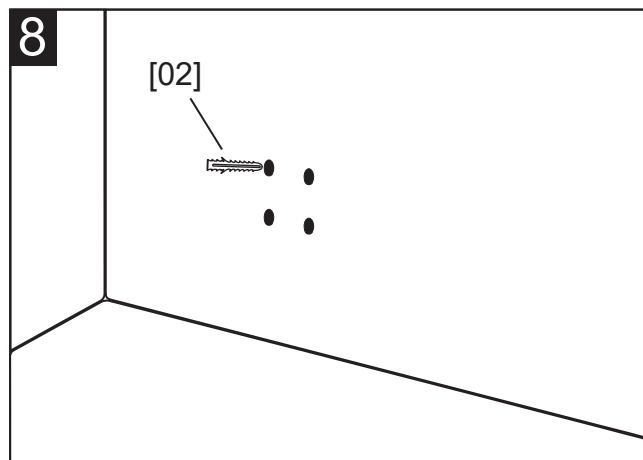
SS-F



### STEP 7

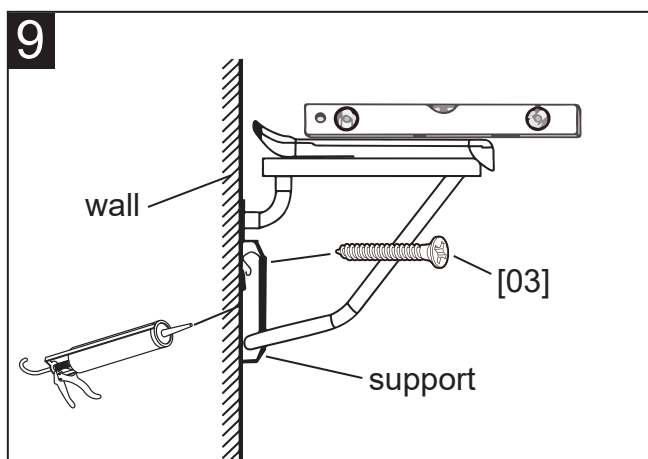
Fold the shower seat and drill 1/8" pilot holes through tile in each mounting location if drilling into wooden stud. Then drill 1/4" holes through the tile only at the same locations to allow the wood screw to pass through. Drill 5/16" hole through tile in each mounting location if drilling into concrete.

**NOTICE:** The pilot hole size is for soften wood. Try to drill bigger holes for hard wood.



### STEP 8

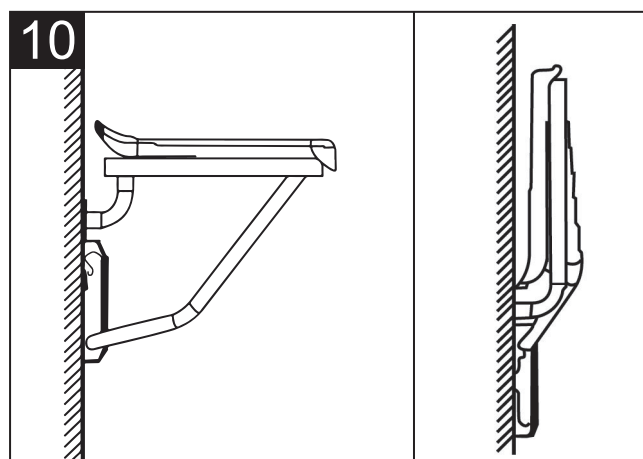
Insert **Anchors [02]** for solid wall made by concrete material.



### STEP 9

Secure the **support of Shower Seat [01]** to the wall using the **Screws [03]**.

**NOTICE:** Use silicone between **support** and the wall to ensure a water-tight seal.

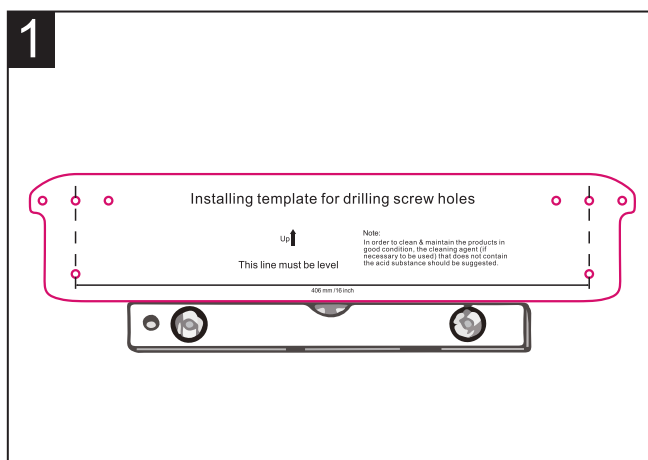


### STEP 10

Test the **Shower Seat [01]** to make sure it is secure. Then fold it to complete the installation.

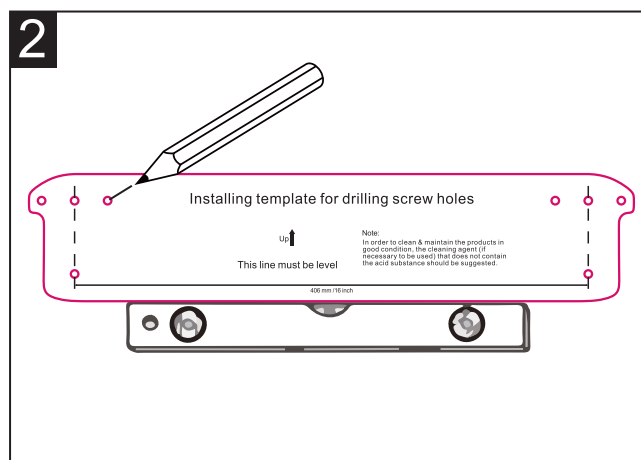
# INSTALLATION

D7-\*\*



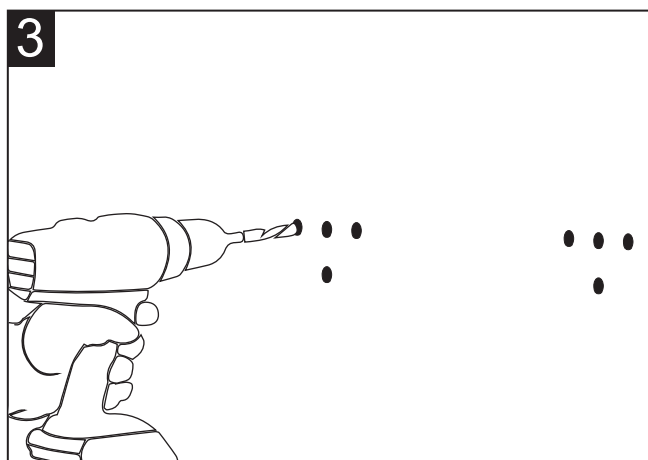
## STEP 1

Identify the mounting location of the **Shower Seat [01]** and tape the template on the wall. Make sure the template is level.



## STEP 2

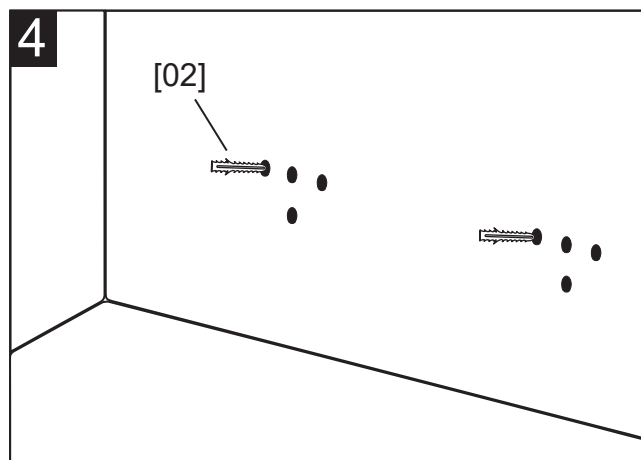
Mark the screw holes through the template once the desired location is determined.



## STEP 3

Remove the template and drill 1/8" pilot holes through tile in each mounting location if drilling into wooden stud. Then drill 1/4" holes through the tile only at the same locations to allow the wood screw to pass through. Drill 5/16" hole through tile in each mounting location if drilling into concrete.

**NOTICE:** The pilot hole size is for soft wood. Try to drill bigger holes for hard wood.

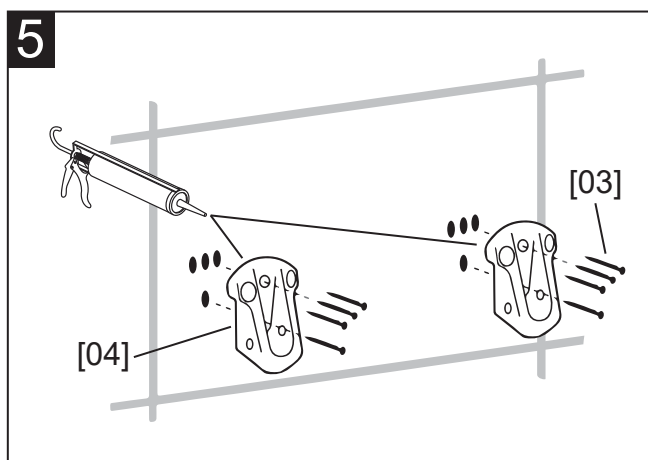


## STEP 4

Insert **Anchors [02]** for solid wall made by concrete material.

## INSTALLATION

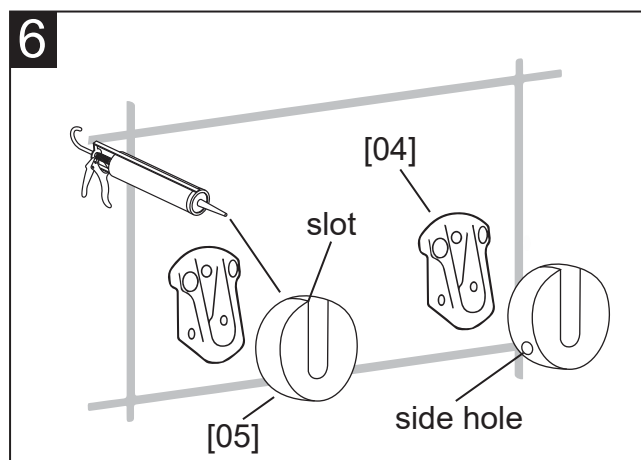
D7-\*\*



### STEP 5

Secure the **Wall Bracket [04]** to the wall using the **Screws [03]**.

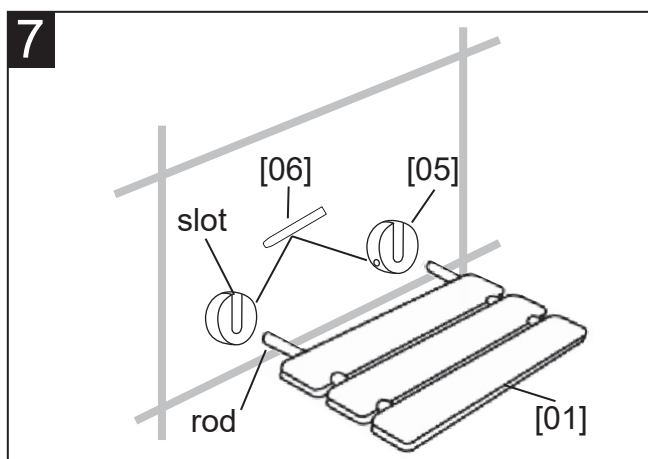
**NOTICE:** Use silicone between **Wall Bracket [04]** and the wall to ensure a water-tight seal.



### STEP 6

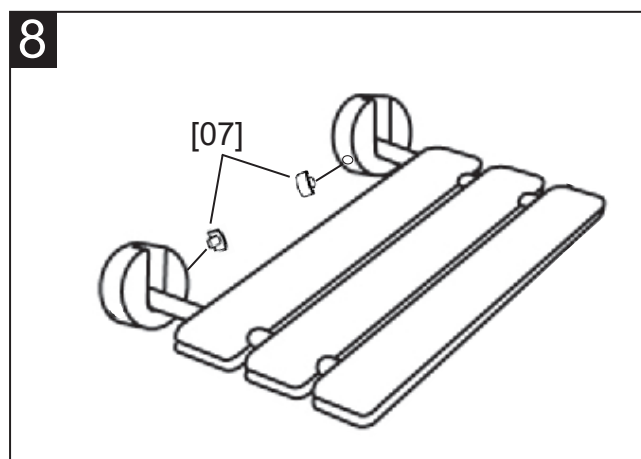
Install **Covers [05]** to **Wall Bracket [04]**. Make sure the **slots** of **Covers [05]** point upward.

**NOTICE:** Make sure the **side holes** of **Covers [05]** face inside. Use silicone between **Covers [05]** and the wall to ensure a water-tight seal.



### STEP 7

- Install the **Shower Seat [01]** to the **slot** of **Covers [05]**.
- Install the **Pins [06]** from the side of **Covers [05]** and run through the holes of **Wall Bracket [04]** and rods of **Shower Seat [01]** until they stop.

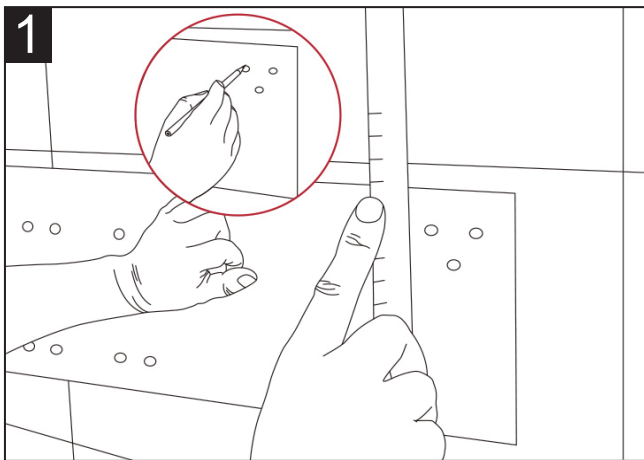


### STEP 8

- Install the **Caps [07]** to the side of **Covers [05]**.
- Test the shower seat to make sure it is secure. Then fold it to complete the installation.

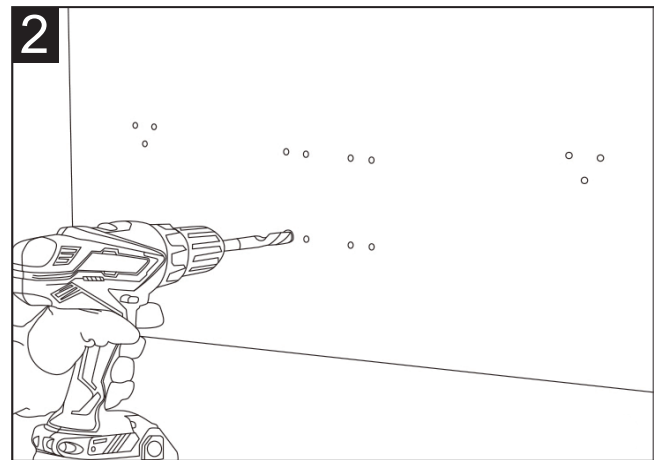
# INSTALLATION

SSP-SS-D-CH



## STEP 1

- a. Identify the mounting location of the **Shower Seat [01]** and tape the template on the wall. Make sure the template is level.
- b. Mark the screw holes of brackets once the desired location is determined.



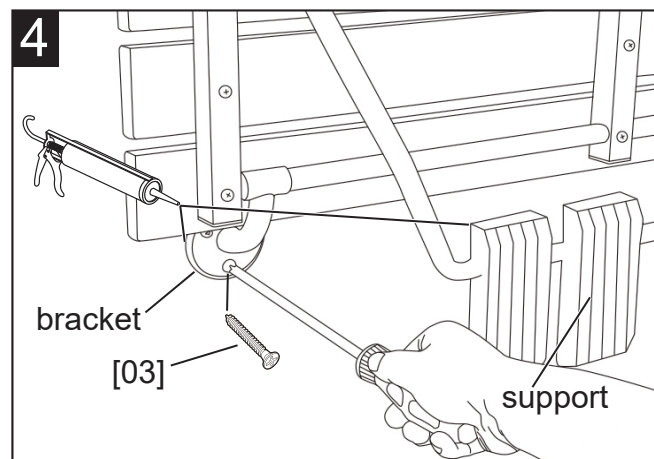
## STEP 2

Remove the template and drill 1/8" pilot holes through tile in each mounting location if drilling into wooden stud. Then drill 1/4" holes through the tile only at the same locations to allow the wood screw to pass through. Drill 5/16" hole through tile in each mounting location if drilling into concrete. **NOTICE:** The pilot hole size is for softwood. Try to drill bigger holes for hard wood.



## STEP 3

Insert **Anchors [02]** for solid wall made by concrete material.

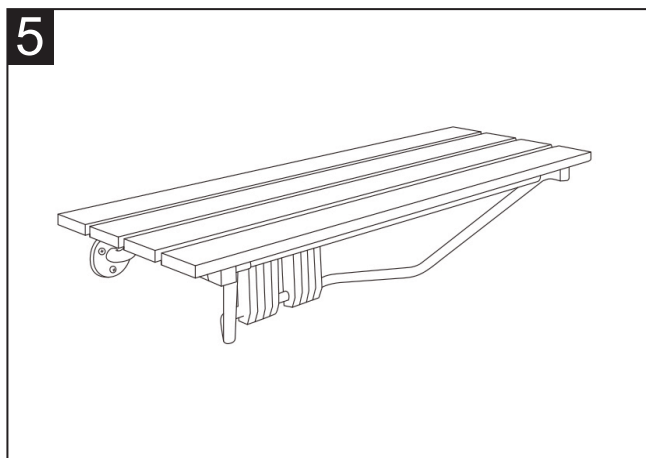


## STEP 4

Secure the **brackets** and **support** of **Shower Seat [01]** to the wall using the **Screws [03]**. **NOTICE:** Use silicone between brackets and the wall, support and the wall to ensure a water-tight seal.

## INSTALLATION

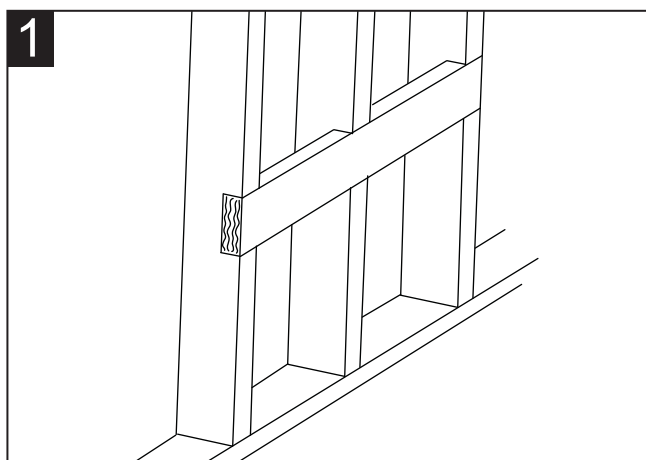
SSP-SS-D-CH



### STEP 5

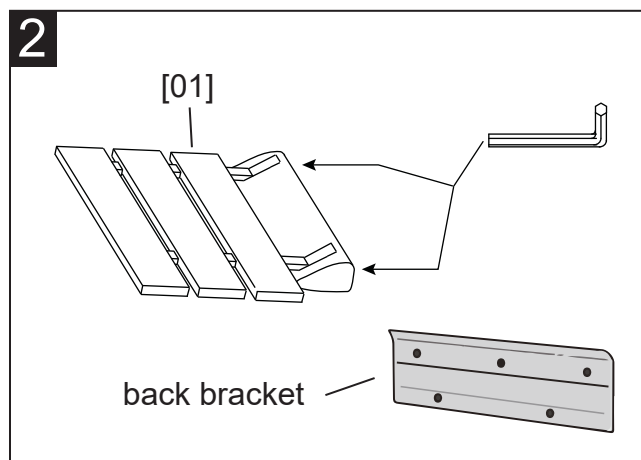
Test the **Shower Seat [01]** to make sure it is secure. Then fold it to complete the installation.

SS-C



### STEP 1

Make sure there is wood frame behind the wall as figure shows.



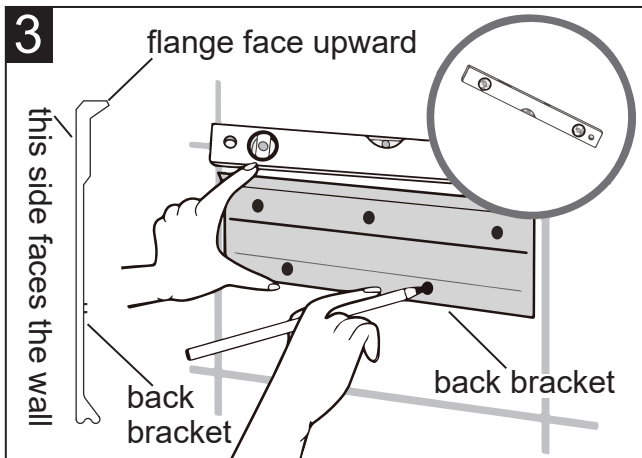
### STEP 2

Take out the **Shower Seat [01]** from the box and remove the **back bracket** by loosening the screws as figure shows.

**NOTICE: Record the direction of the back bracket inside the Shower Seat [01].**

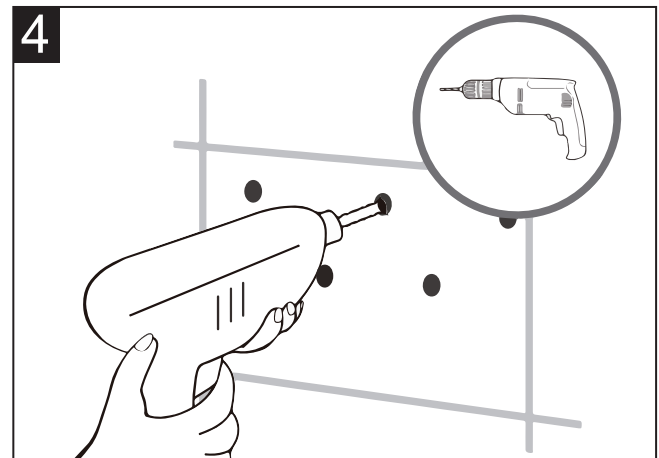
## INSTALLATION

SS-C



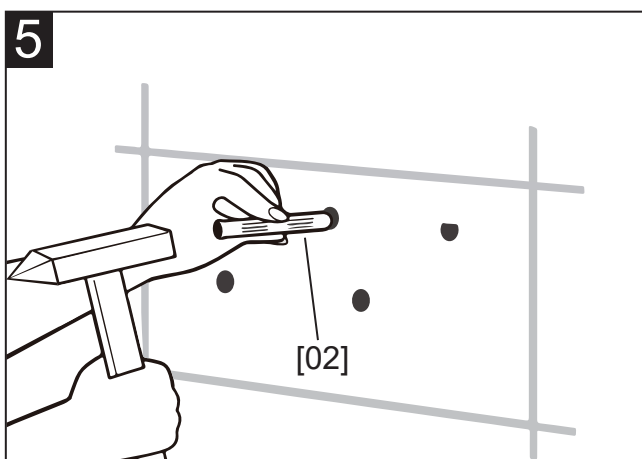
### STEP 3

- a. Identify the mounting location of the **Shower Seat [01]**. Adjust the **back bracket** to make sure it is level and hold it on the wall.  
**NOTICE:** Make sure the flange of **back bracket** face upward. The flat surface of back bracket faces to the wall.
- b. Mark the screw holes through the **back bracket** on the wall.



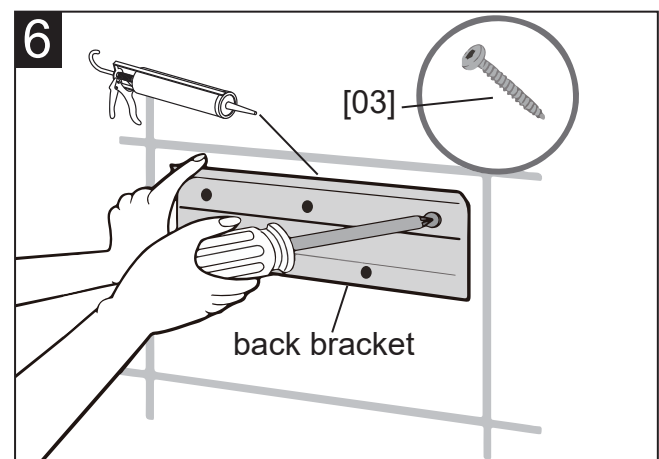
### STEP 4

- Set aside the shower seat and drill 1/8" pilot holes through tile in each mounting location if drilling into wooden stud. Then drill 1/4" holes through the tile only at the same locations to allow the wood screw to pass through. Drill 5/16" hole through tile in each mounting location if drilling into concrete.  
**NOTICE:** The pilot hole size is for soften wood. Try to drill bigger holes for hard wood.



### STEP 5

- Insert **Anchors [02]** for solid wall made by concrete material.

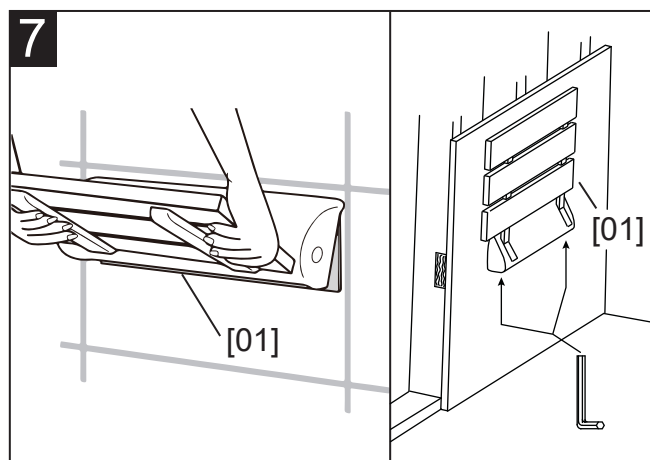


### STEP 6

- Secure the **back bracket** of **Shower Seat [01]** to the wall using the **Screws [03]**.  
**NOTICE:** Use silicone between **back bracket** and the wall to ensure a water-tight seal.

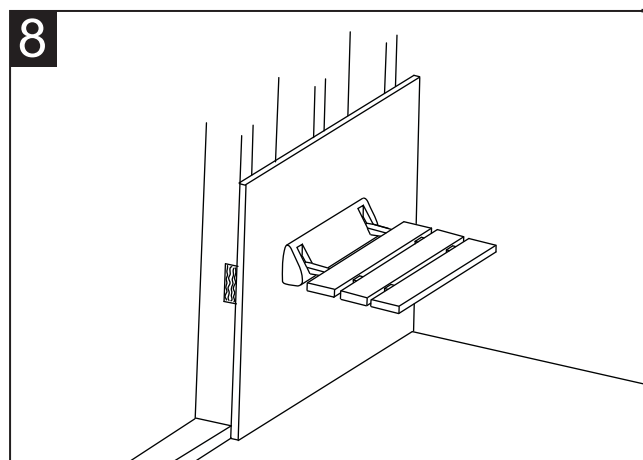
## INSTALLATION

SS-C



### STEP 7

Install the **Shower Seat [01]** to the **back bracket** and secure it by tighten the screws under the **Shower Seat [01]**.



### STEP 8

Test the seat to make sure it is secure.

## CARE AND MAINTENANCE

To ensure a long lasting hardware finish, wipe off the metal parts after each use with a soft cloth. Do not use abrasive cleaners or cleaning products containing ammonia, bleach or acid. If accidentally used, rinse the surface as soon as possible to prevent finish peeling or corrosion.

After cleaning the shiny finishes, rinse thoroughly and wipe dry with soft cloth. Clean stainless steel surfaces at least once a week. When applying stainless steel cleaner or polish, work with (not against/across) the grain. Never use an abrasive sponge or cloth, steel wool or wired brushes.

