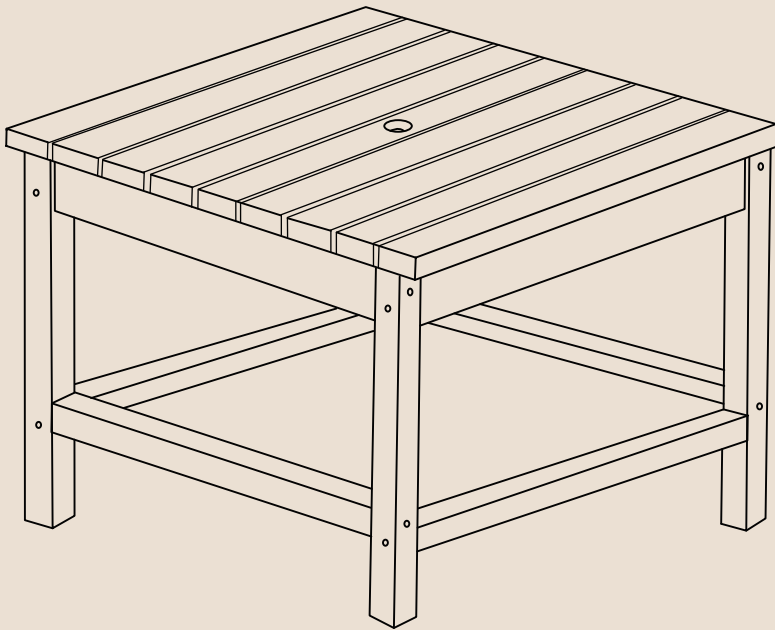


WWT
WESTINTRENDS
WWT

DESIGNED IN CALIFORNIA



— OUTDOOR POLY ADIRONDACK 31" SQUARE —
COFFEE TABLE

THANK YOU!

We appreciate you for choosing WestinTrends!

Thank you for letting WestinTrends continue to offer accessible luxury trends, inspired by everyone!

JOIN THE WESTINTRENDS COMMUNITY

Sign up here:

[*https://westintrends.com/welcome*](https://westintrends.com/welcome)



QUESTIONS OR COMMENTS?

If you have questions reach out to
cs@westintrends.com

FOLLOW, SHARE, & LEARN



PRODUCT REGISTRATION

[*https://westintrends.com/apps/product-registration*](https://westintrends.com/apps/product-registration)



! CARE & MAINTENANCE

Please keep this instruction for your future reference.

- Be careful when assembly, avoid hurting the top surface.
- Clean the table with lukewarm water, mild detergent & soft cloth.
- Firmly secure all bolts before use, do not use any part of this item as a step ladder.
- Reconfirm that all bolts, screws, and nuts are secure every 90 days.
- Do not use or store this item in the proximity of open flame or flammable/combustible chemicals,
- Be aware that some parts are heavy and have sharp edges.
- Do not overtighten screws.(Insert all screws before tighten screws.)
- Please do not exceed the weight limitations of this item.

TOOLS REQUIRED

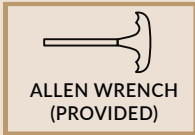


TABLE
300 LBS
CAPACITY



1 PERSON
ASSEMBLY



UP TO 20 MIN.
ASSEMBLY

HARDWARE

1

SCREW
M6 x 75mm

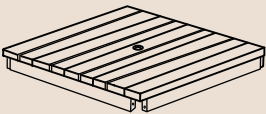


16 PCS

PARTS

A

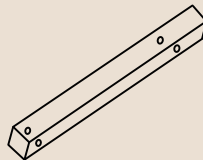
TABLE TOP
WITH APRON



1 PC

B

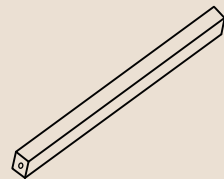
TABLE LEG



4 PCS

C

RAIL



4 PCS

D

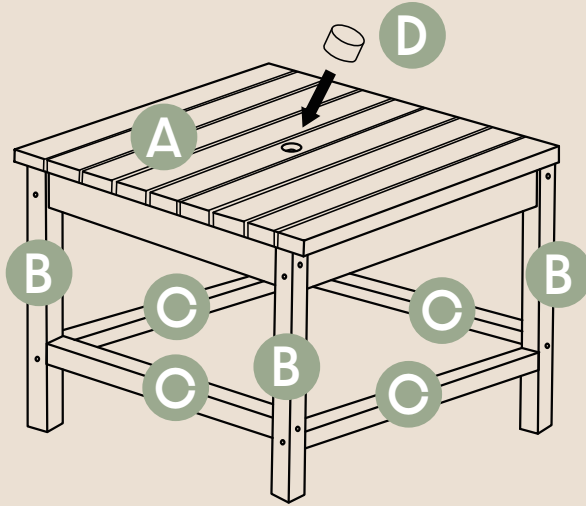
UMBRELLA
HOLE COVER



1 PC

PRODUCT ASSEMBLY - OVERALL VIEW

Look at following overall view of this table and learn the exact position of each parts to be assembled.

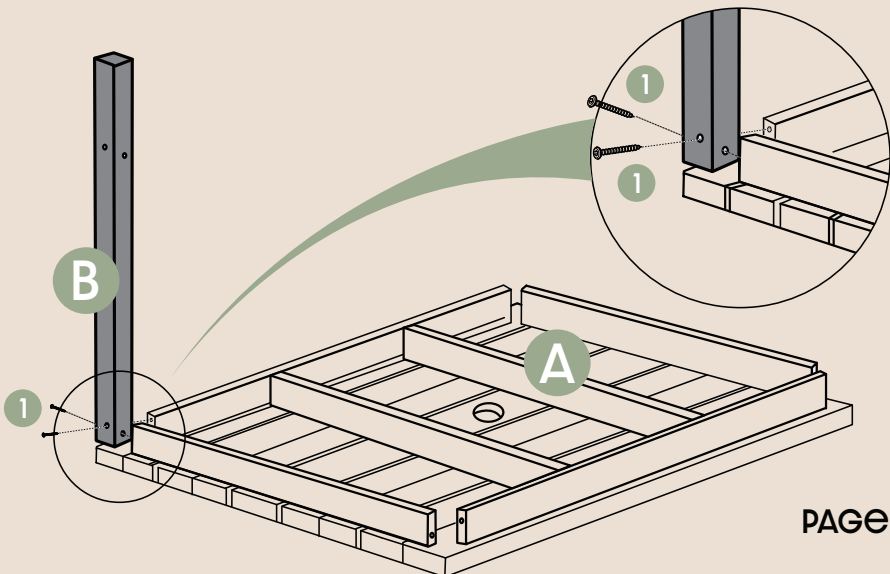


PRODUCT ASSEMBLY

1

Place **Part A Table Top** upside down on soft surface like carpet to avoid damage. Loosely attach **Part B Table Leg** to **Tart A Table Top** with 2 pcs of **Hardware #1 Bolt**.

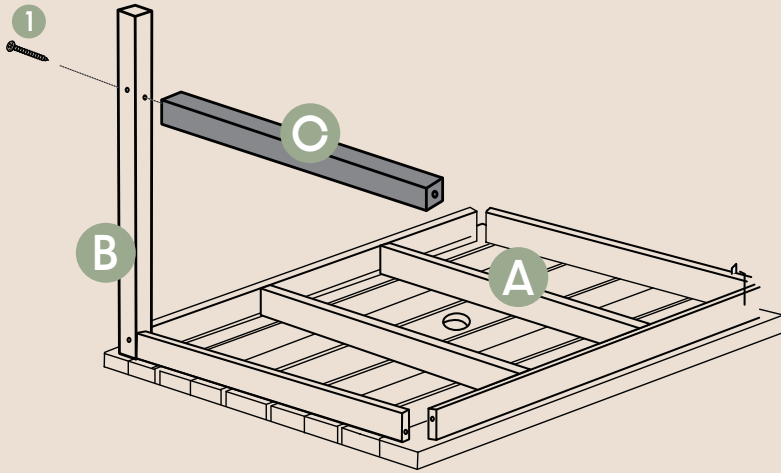
Pay attention to the different heights of base holes that meets the holes in the aprons.



PRODUCT ASSEMBLY

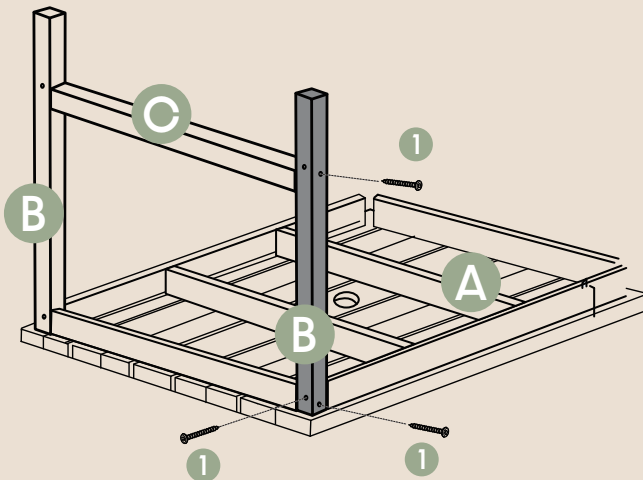
2

Attach **Part C Rail** to **Part B Table Leg** with 1 pc of **Hardware #1 Screw**.



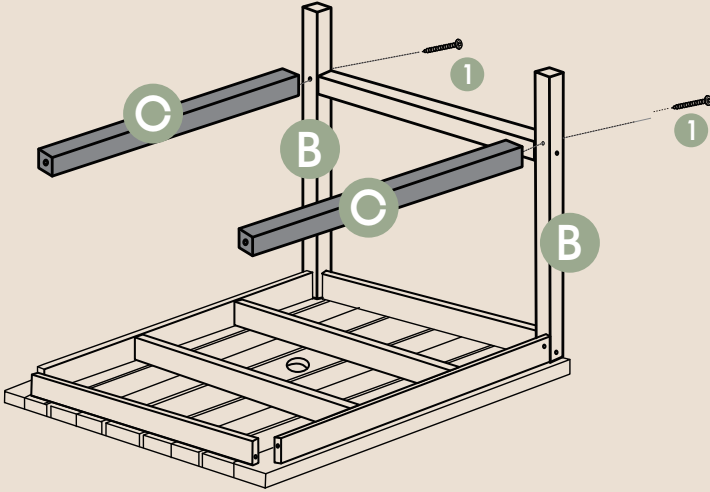
3

Loosely attach 1 pc of **Part B Table Legs** to **Part A Table Top** and **Part C Rail** with 3 pcs of **Hardware #1 Screw**.



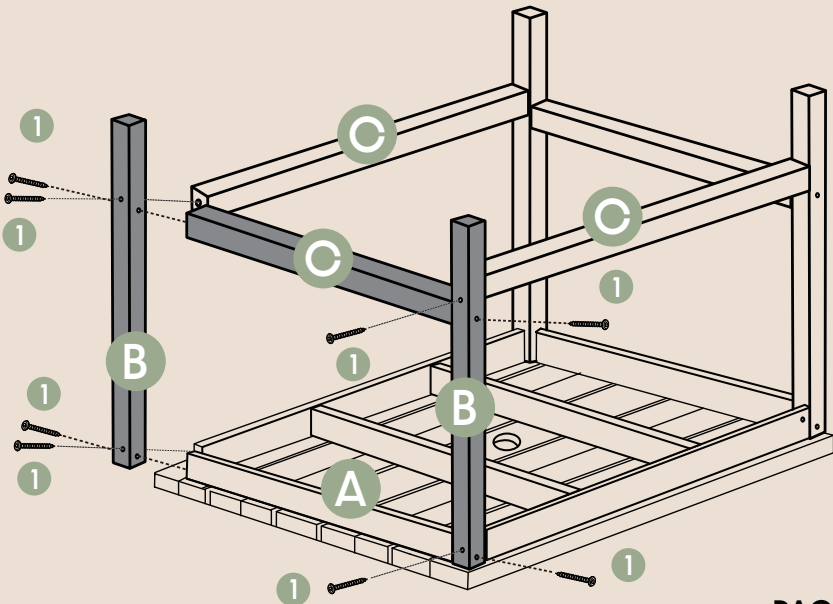
4

Attach 2 pcs of **Part C Rails** to **Part B Table Legs** with 2 pcs of **Hardware #1 Screw**.



5

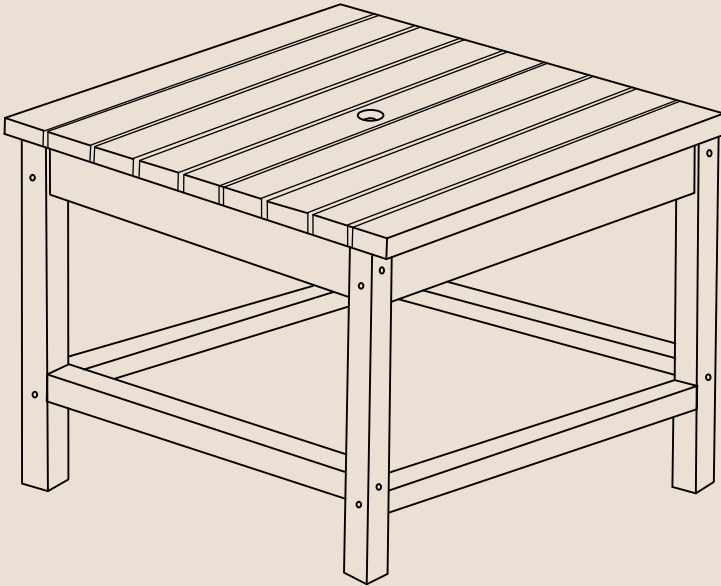
Do the same to assemble the rest **Part B Table Legs**, **Part C Rail** & **Part 5 A Table Top**.



6

Tighten all the screws when all the parts are loosely attached.
Turn over the table and enjoy it now.

Remark: Please remove the umbrella hole cover when you insert the umbrella.



REGISTRATION & REFUND POLICY

<https://westintrends.com/apps/product-registration>



<https://westintrends.com/policies/refund-policy>



HAVING TROUBLE

- **Not sure how to assemble or missing pieces?**

Please contact our Customer Service Team for assistance at cs@westintrends.com

Have Order #, Part # or SKU ready to speed up customer service!

CLEANING TIPS

REGULAR CLEAN: Use a mixture of warm water and mild soap. Gently scrub the surface with a soft bristle brush to remove any dirt or stains.

QUICK CLEAN: You can simply wipe down the HDPE furniture with a damp cloth. The material's resilience makes it resistant to most spills and stains, ensuring a hassle-free maintenance routine.

Regular cleaning not only preserves the aesthetic appeal of your furniture but also helps extend its lifespan.

Pressure washer can be used for seriously deep-cleaning - **DO NOT exceed 1500 PSI** - this will remove any debris and dirt.