

ITEM# 83350

Slate 25" H, 50" W TV Console

Leick
Home
SINCE 1910

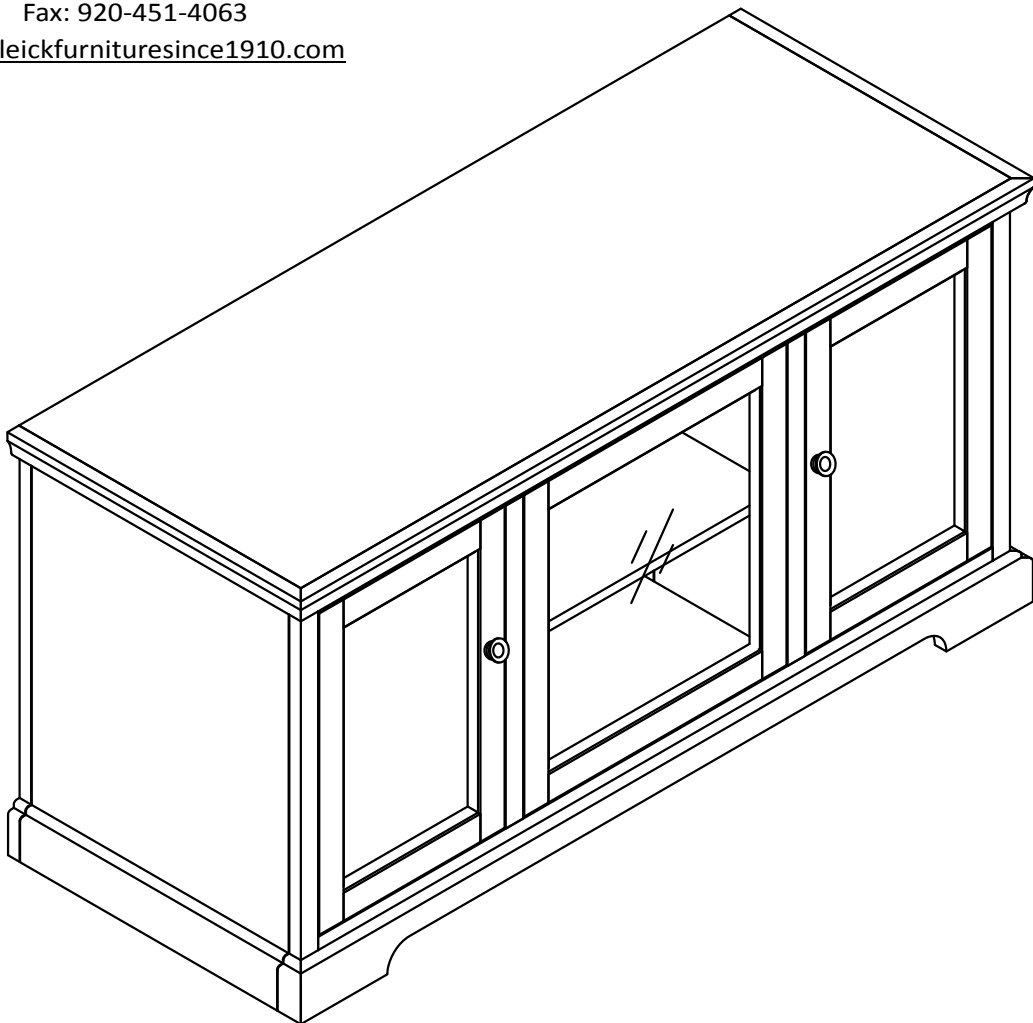
2219 S. 19th St.

Sheboygan, WI 53081

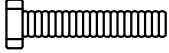

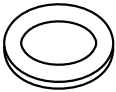
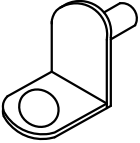
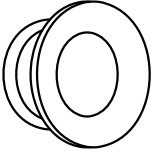

Ph: 920-451-4060

Fax: 920-451-4063

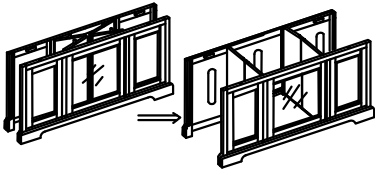
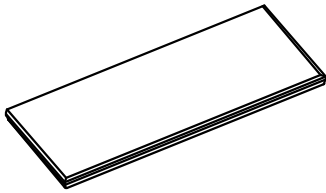
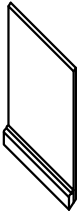
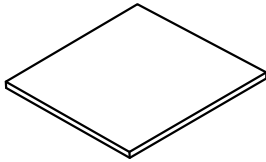
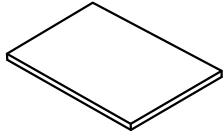
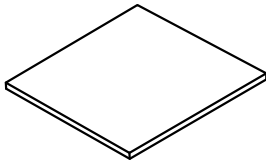
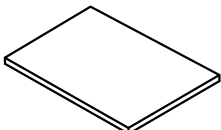
info@leickfurnituresince1910.com



Hardware List

	Item	Description	Qty
a		Bolt 1/4"*1-1/8"	4PCS
b		Allen wrench	1PC
c		Washer 1/4"*12mm	4PCS
d		Shelf metal clip	12PCS
e		Door Pull	2PCS
f		Machine screw for door pull 5/32"*3/4"	2PCS

Parts List

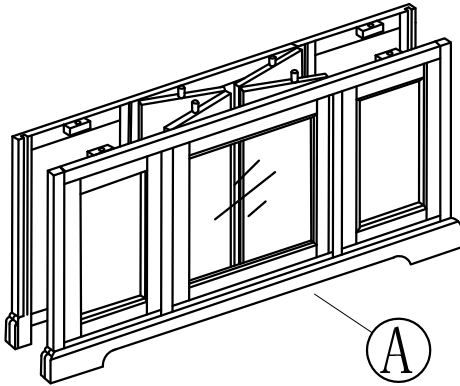
Item	Description	Qty	
A		Cabinet	1PC
B		Top Panel	1PC
C		Side Panel	2PCS
D		Middle Bottom Panel	1PC
E		Side Bottom Panel	2PCS
F		Middle Adjustable Shelf	1PC
G		Side Adjustable Shelf	2PCS

Assembly Instructions

Two person assembly recommended.

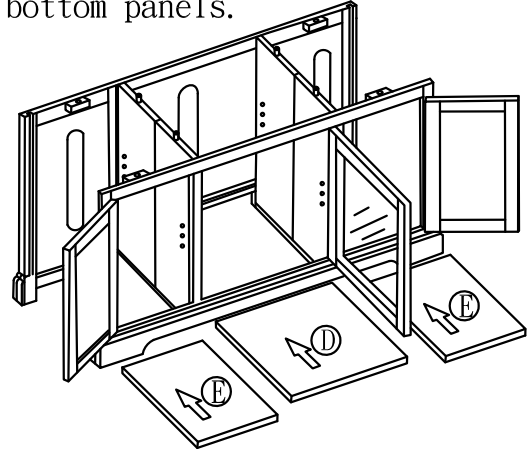
step 1

Unfold Cabinet.



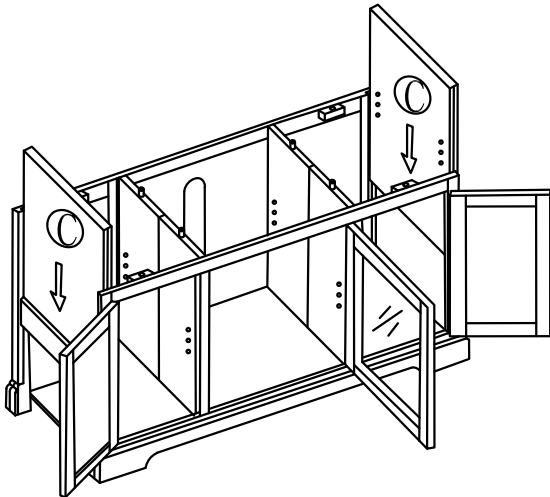
step 2

Install the middle bottom panel and the side bottom panels.



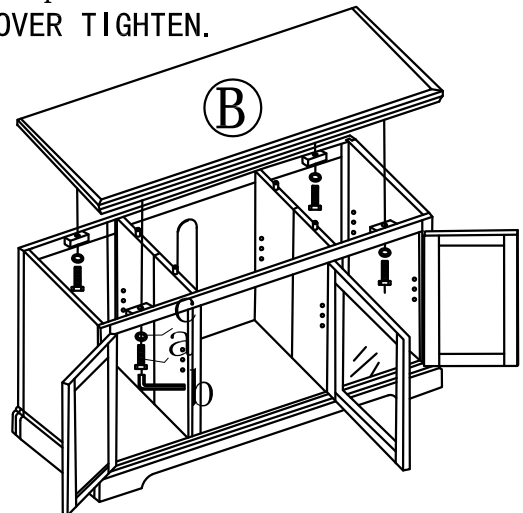
step 3

Insert two side panels.



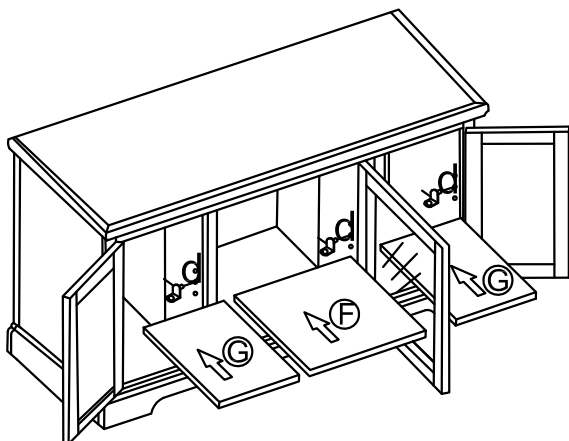
step 4

Bolt on top with 4 bolts.
DO NOT OVER TIGHTEN.



step 5

Install shelf clips and
insert shelves.



step 6

Install door pulls.

