



# Ludington®

## 32" undermount single-bowl sink with accessories

### 2002-PC

#### Features

- 9-9/16" depth
- 3-3/4" (94 mm) drain opening
- No faucet holes; requires wall- or counter-mount faucet
- Single bowl
- 36" minimum base cabinet width

#### Material

- Premium 18-gauge stainless steel
- Stainless steel with satin finish

#### Installation

- Undermount

#### Recommended Products/Accessories

- K-23726 Drain treatment
- K-23729 Stainless steel cleaner

#### Included Components

- 20285 Silicone sink mat
- 7400 Stainless Steel Sink Drain and Strainer

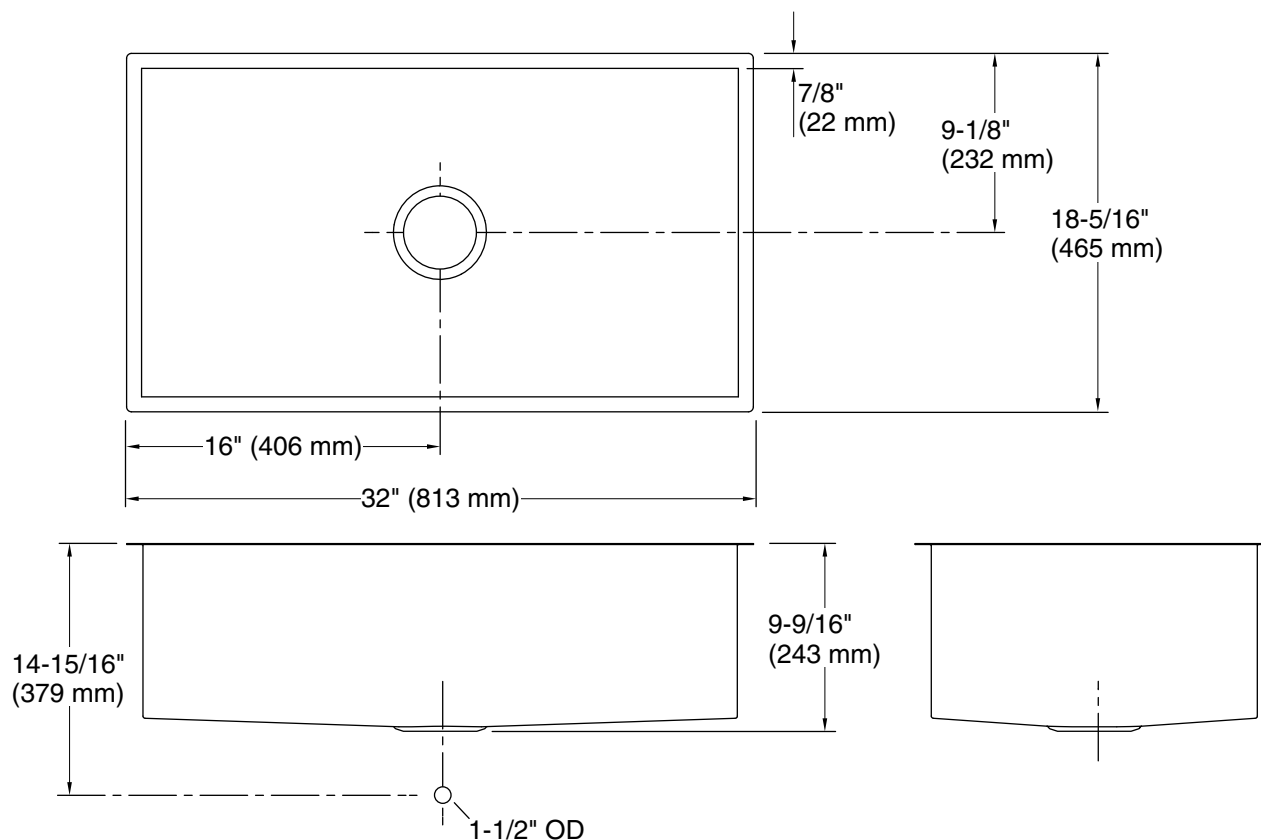


#### Codes/Standards

- ASME A112.19.3/CSA B45.4
- IAPMO Certification

#### STERLING® Stainless Steel Sinks Lifetime Limited Warranty

See website for detailed warranty information.



**Technical Information**

All product dimensions are nominal.

Basin configuration: Single Bowl

Min. base cabinet width: 36" (914 mm)

Bowl area (Only): Length: 30-1/4" (768 mm)  
Width: 16-9/16" (420 mm)  
Bowl depth: 9-1/16" (231 mm)  
Water depth: 9-5/16" (237 mm)

Drain hole: 3-3/4" (94 mm)

Template: Undermount, 1298947-7, required, included

**Notes**

Install this product according to the installation instructions.

Countertop manufacturer or cutter must use the cut-out template provided with the product, or a current one provided by Kohler Co. (call 1-800-43-FOCUS). Kohler Co. is not responsible for cut-out errors when the incorrect cut-out template is used.