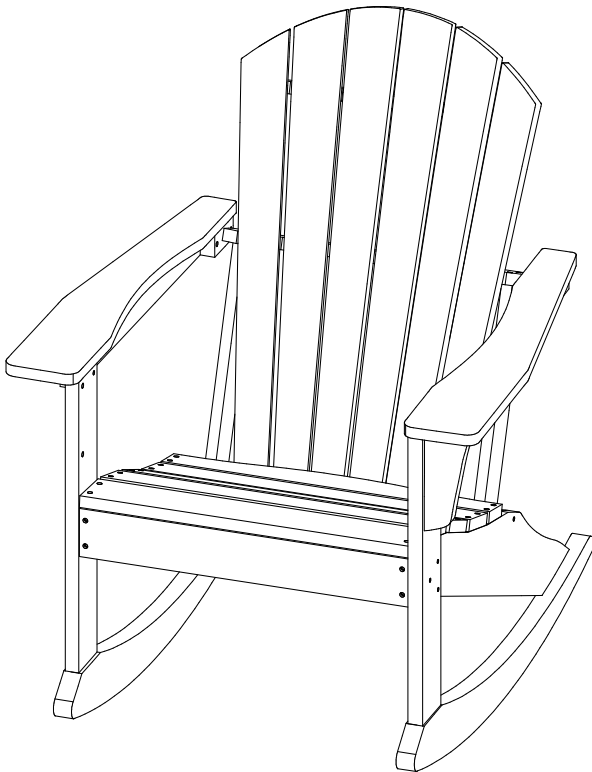


# INSTRUCTION MANUAL



**Altura Outdoor Rocking  
Poly Adirondack Chair  
SKU:OP5003**

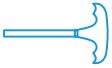
**V1.0**

## ! NOTICE

### Do not overtighten screws. (Insert all screws before tighten screws.)

- Please do not exceed the weight limitations of this item.
- Do not stand on or use any part of this item as a step ladder.
- Firmly secure all bolts, screws and nuts before use.
- Reconfirm that all bolts, screws, and nuts are secure every 90 days.
- Do not use or store this item in the proximity of open flame or flammable/combustible chemicals.
- Be aware that some parts are heavy and have sharp edges.

## TOOLS REQUIRED



ALLEN WRENCH  
(PROVIDED)



WRENCH  
(PROVIDED)



CHAIR  
330 LBS  
CAPACITY



1 PERSON  
ASSEMBLY

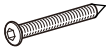


UP TO 30 MIN.  
ASSEMBLY

## HARDWARE

1

M6.3 x 80mm  
BOLT



4 PCS

2

M6 x 80mm  
BOLT



2 PCS

3

M6 x 60mm  
BOLT



8 PCS

4

M6x50mm  
BOLT



2 PCS

5

M6 x 40mm  
BOLT



2 PCS

6

M6.3 x 40mm  
BOLT



4 PCS

7

M6 NUT



8 PCS

8

M6 WASHER



8 PCS

9

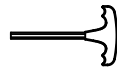
WRENCH



1 PC

10

ALLEN  
WRENCH

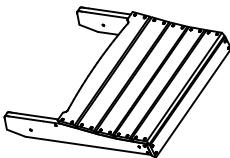


1 PC

## PARTS

A

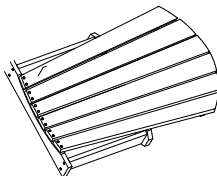
CHAIR SEAT



1 PC

B

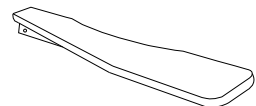
CHAIR BACKREST



1 PC

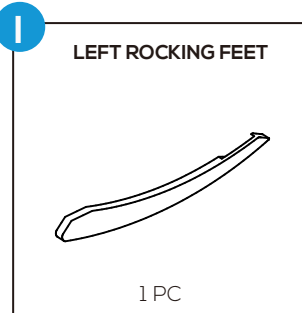
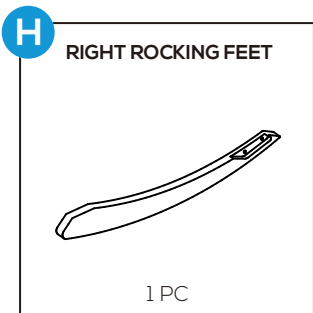
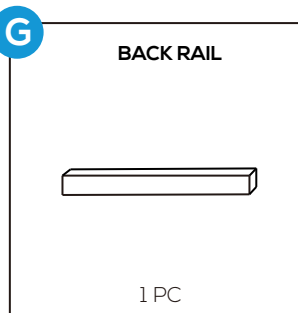
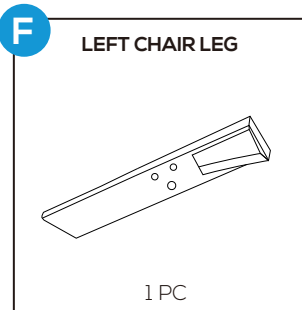
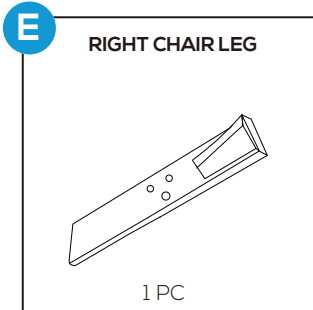
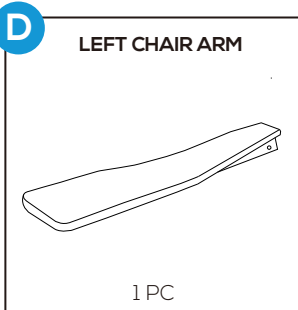
C

RIGHT CHAIR ARM



1 PC

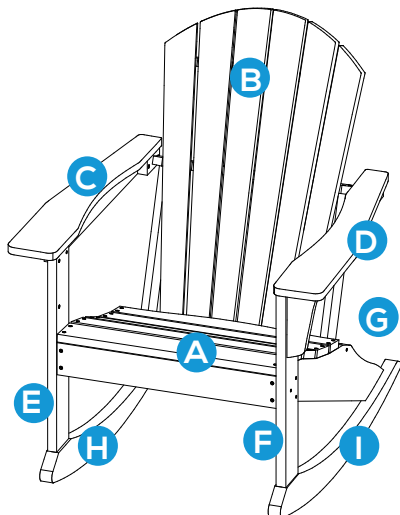
## PARTS



## PRODUCT ASSEMBLY - OVERALL VIEW

**1**

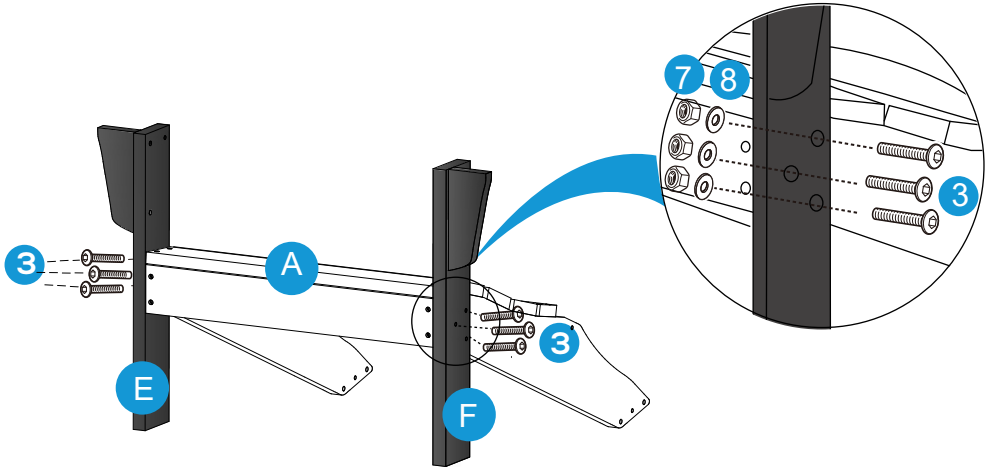
Look at following overall view of this chair and learn the exact position of each parts to be assembled.



## PRODUCT ASSEMBLY

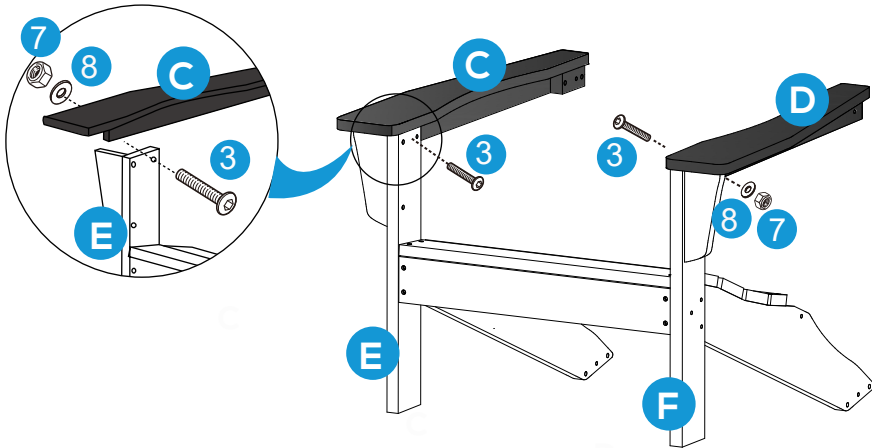
1

Attach part E Right Chair Leg to part A Chair Seat with 3 pcs of part 3 bolt , part 8 washer and part 7 nut  
Do same to attach part F Left Chair Leg to part A Chair seat  
Do not tighten screws too much at this stage.



2

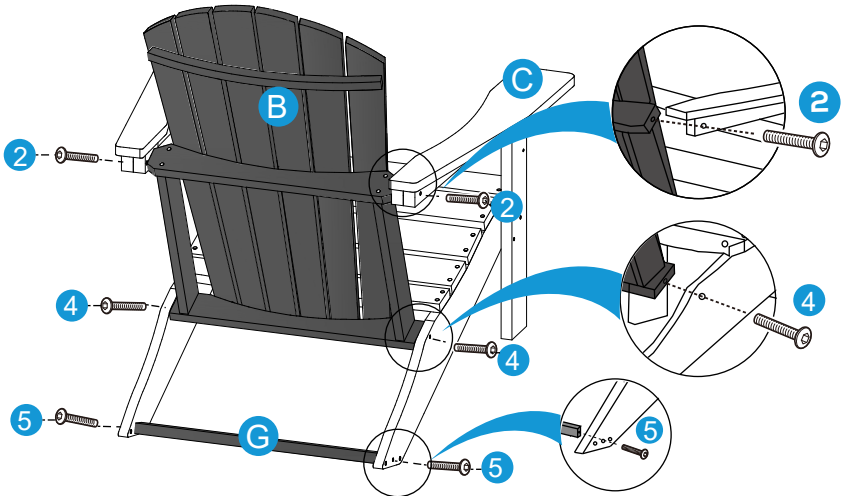
Attach part C Right Chair Arm to part E Right Chair Leg with 1 pc of part 3 bolt, part 8 washer and part 7 nut  
Do the same to attach part D Left Chair Arm to part F Left Chair Leg



## PRODUCT ASSEMBLY

**3**

Put part B Chair Backrest into part A Chair Seat and fix them with 2 pcs of part 4 bolt then attach part B Chair Backrest to part C Right Chair Arm with 1 pc of part 2 bolt. Do the same to attach part B Backrest to part D Left Chair Arm. Attach part G Back Rail to part A Chair Seat with 2 pcs of part 5 bolt.



**4**

Attach part H Right Rocking feet to part E Right Chair Leg with 2 pcs of part 1 bolt and attach part H Right Rocking feet to part A Chair Seat rear leg with 2 pcs of part 6 bolt. Do the same to attach part I Left Rocking feet to part F Left Chair Leg and part A Chair Seat rear leg. Check and tighten all the bolts and screws again and finish the assembly.

