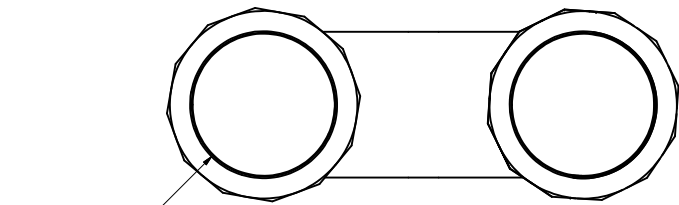
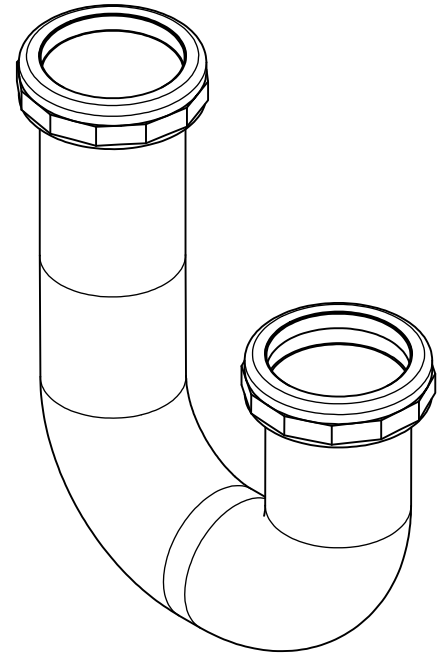
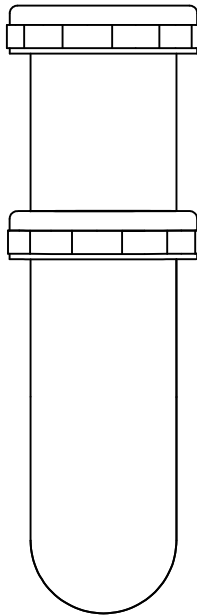
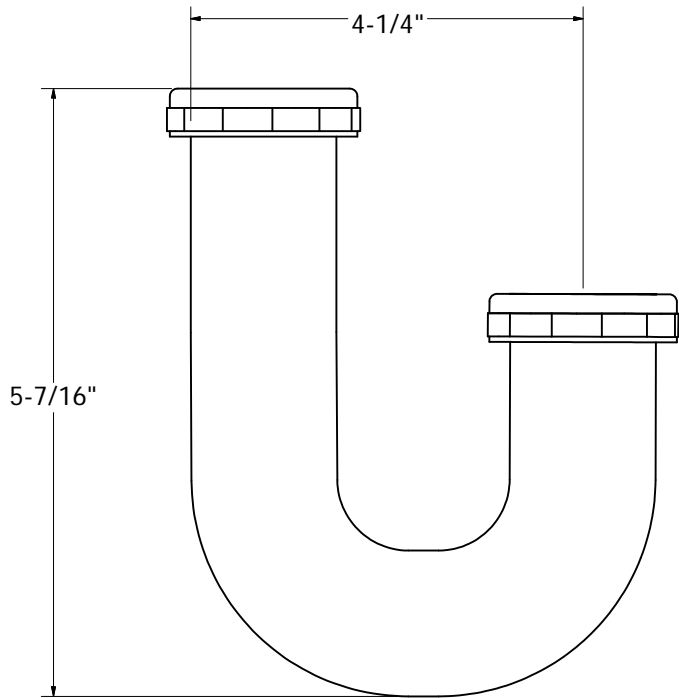


CHROME PLATED BRASS J-BEND



Ø1-9/16"



PHONE NUMBER
1-800-355-6637

FAX NUMBER
1-800-462-6991

SCALE 1 : 1 DATE 6-24-11

SHEET
1 OF 1

DRAWN BY
ASHLEY KRALOVEC

PART NO.

P38018

SIZE

1-1/4"

GAUGE

22