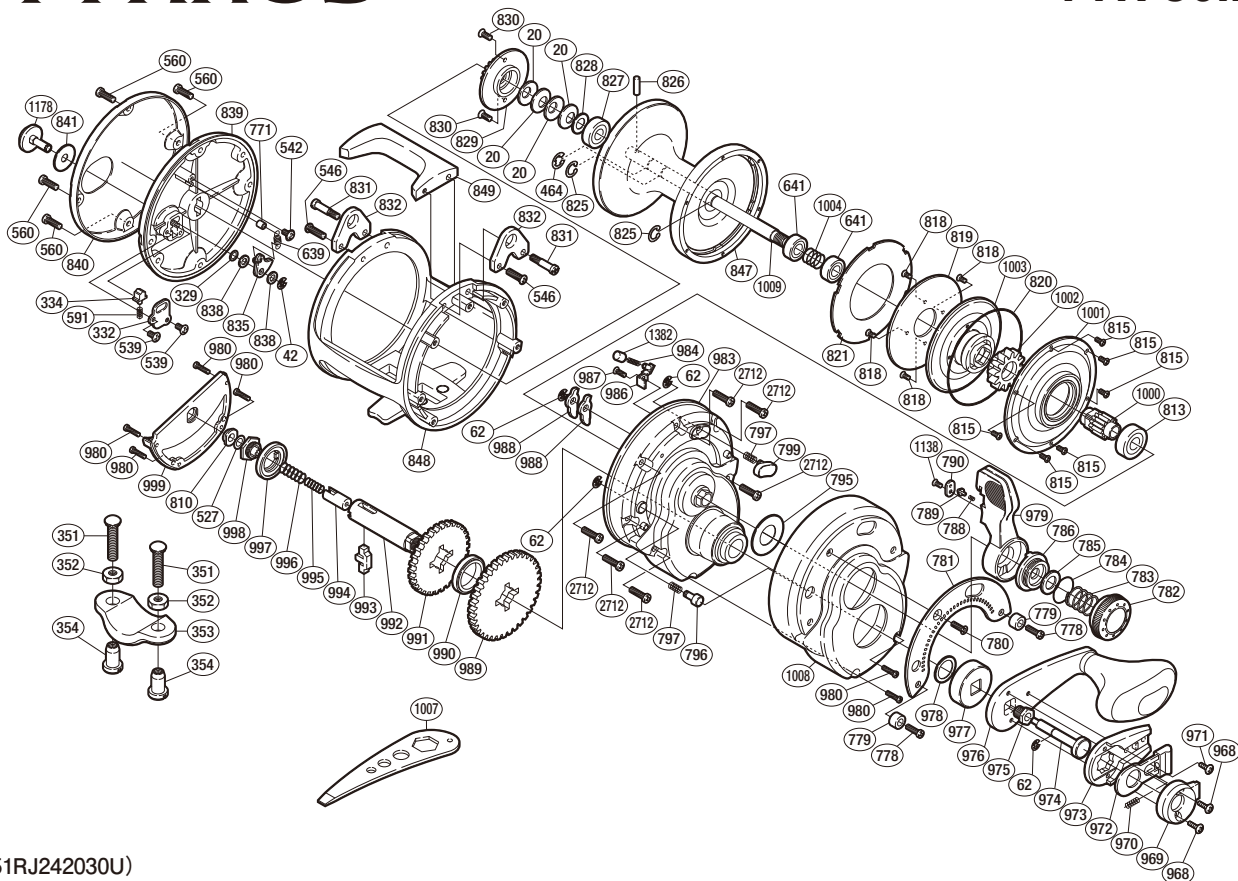


SHIMANO

TYRNOS

TYR-30II



(51RJ242030U)

#	Part No.	Description	#	Part No.	Description	#	Part No.	Description
20	1052C	Coned Disc Spring	815	10LVG	Screw	983	10U0Y	Right Side Plate
42	105NE	E Lock	818	10MGE	Screw	984	10CBN	Dog Spring
62	105NK	E Lock	819	10G4B	Drag Plate	986	10N0M	Guard Against Dog
329	109RC	Spacer	820	10EZ2	O Ring	987	10MKV	Screw
332	104B6	Click Spring Retainer	821	10G14	Drag Washer	988	10PFX	Dog
334	104B8	Click Spring Holder	825	105S3	C Lock	989	109DL	Drive Gear A
464	105RY	E Lock	826	104LB	Cross Pin	990	10D61	Friction Washer
527	10D66	Spacer	827	104VH	Ball Bearing	991	10LQG	Drive Gear B
539	10QG5	Screw	828	104L7	Bearing Thrust Washer	992	10999	Drive Shaft
542	10K8T	Screw	829	10NZ7	Click Gear	993	10KXH	Gear Select Cross Bar
546	10L9T	Screw	830	10PHQ	Screw	994	10KXL	Cross Bar Stop
560	10M6Z	Screw	831	10HRX	Harness Lug Screw	995	109VM	Drive Shaft Spring B
591	104MU	Click Spring	832	10PYG	Harness Lug	996	10KXQ	Drive Shaft Spring
639	10NRR	Click Pawl Spring	835	10LES	Click Pawl	997	10D5B	Friction Washer
641	10K61	Ball Bearing	838	104TV	Spacer	998	10FCE	Drive Shaft Screw
771	10549	Click Pawl Spring Boss Ring	839	10505	Left Side Plate	999	10MFH	Right Side Seal
778	10M2Q	Screw	840	10NX7	Left Side Plate Cover	1000	10AHG	Pinion Gear A
779	10CCH	Screw Shield	841	10NMY	Click Button Spacer	1001	10U0W	Cooling Shield
780	10LCA	Screw	847	10ARQ	Spool	1002	10HU8	Pinion Gear B
781	10C9T	Lever Quadrant	848	10K8A	One-Piece Frame	1003	10ALM	Pinion Guard
782	10HMF	Pre-Program Dial	849	10AR3	Cross Bar	1004	109LC	Pressure Release Spring
783	10M64	Dial Spring	968	10PHN	Screw	1008	10M1V	Right Side Plate Cover
784	108WL	O Ring	969	109XD	Push Button Shield	1009	10AEM	Spool Shaft
785	10G4R	Washer	970	10PWH	Slide Plate Spring	1138	10ML4	Screw
786	10CC0	Lever Shaft Body	971	10LZ9	Screw	1178	1050M	Click Button
788	10MFS	Lever Click Shoe	972	109XC	Slide Plate	1382	10G8Q	Anti-Reverse Pawl Spring Guide
789	10MFR	Lever Click	973	10OUC	Handle Bolt Plate	2712	10SVL	Screw
790	10MFT	Lever Click Cover	974	10LS3	Push Low Button Shaft			
795	108DL	Lever Thrust Ring	975	106XL	Handle Bolt	351	10A7A	Rod Clamp Bolt (Accessory)
796	10BND	Free Spool Detent	976	10B1V	Handle	352	105N9	Rod Clamp Nut B (Accessory)
797	10BNL	Pressure Spring	977	107QU	Drive Shaft Shield	353	10AR5	Rod Clamp (Accessory)
799	10BSP	Strike Stop	978	10AMF	Washer	354	1046P	Rod Clamp Nut A (Accessory)
810	10BPJ	Drive Shaft Bushing	979	10M5Y	Drag Control Lever			
813	104JL	Ball Bearing	980	10L1X	Screw	1007	10MJ3	Wrench (Accessory)

Please note that the number of adjusting washers may not be the same as shown in the exploded views.
(Adjustment will vary with each individual product.)

(230719)_003