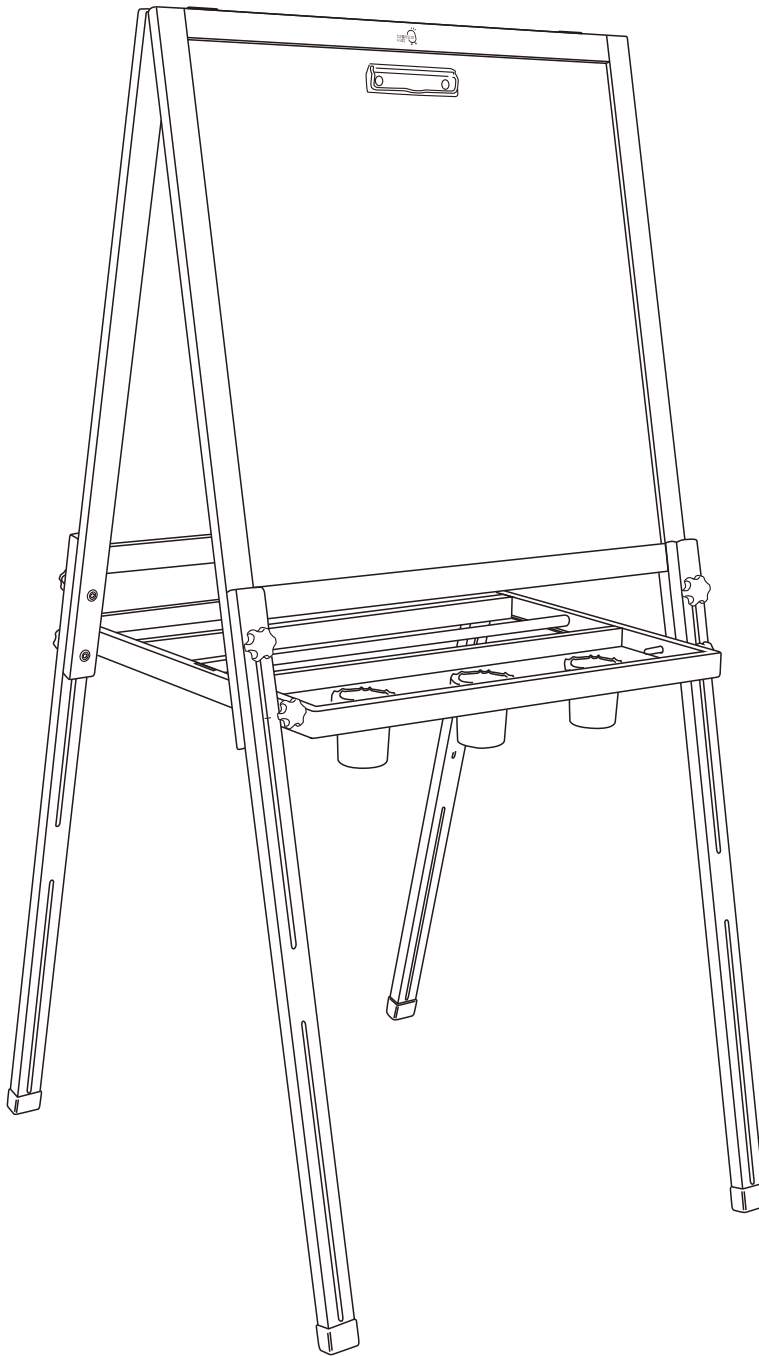




# Little Artist VanGogh Kids Easels

# TK-FB026

Assembly Instruction



USA



1-800-935-3959

Mon - Fri 9:00am ~ 4:30pm EST

✉ support@teamson.com

EU



+44 (0) 1952-916050

Mon - Thu 9:00am ~ 5:00pm GMT

Friday 9:00am ~ 4:00pm GMT

✉ support@teamson.co.uk

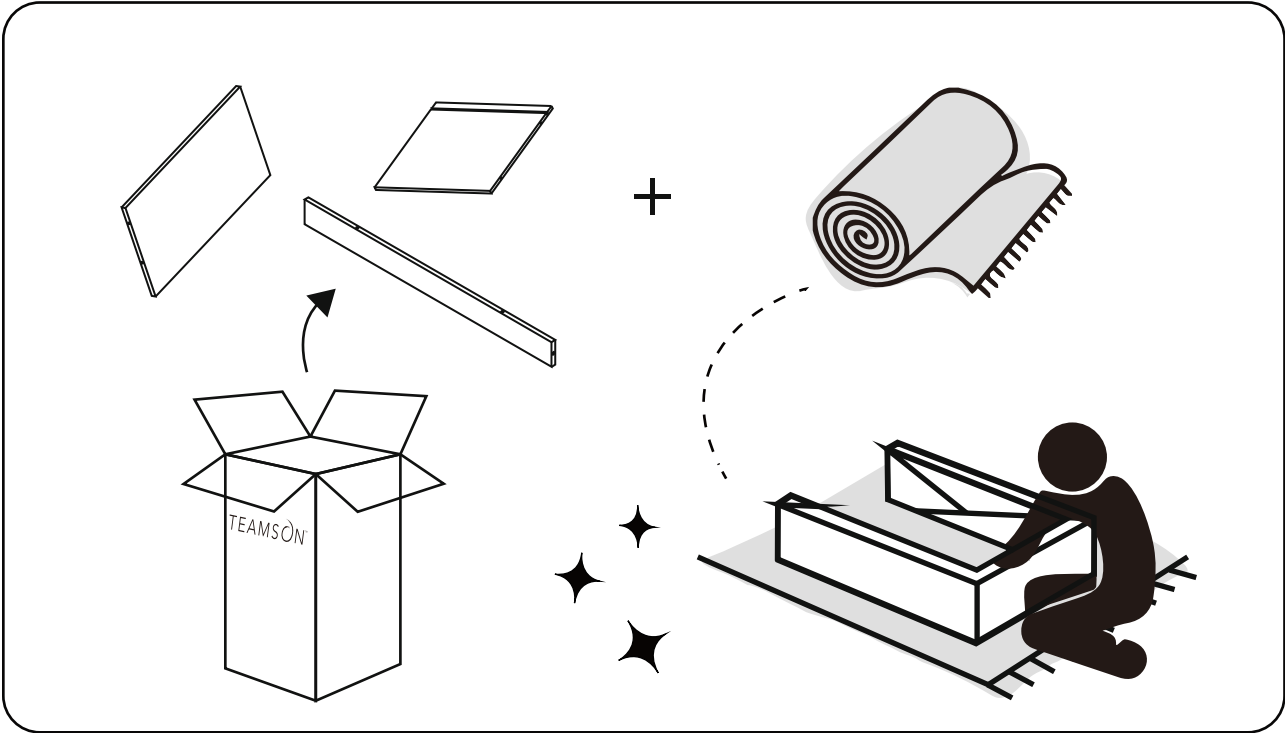
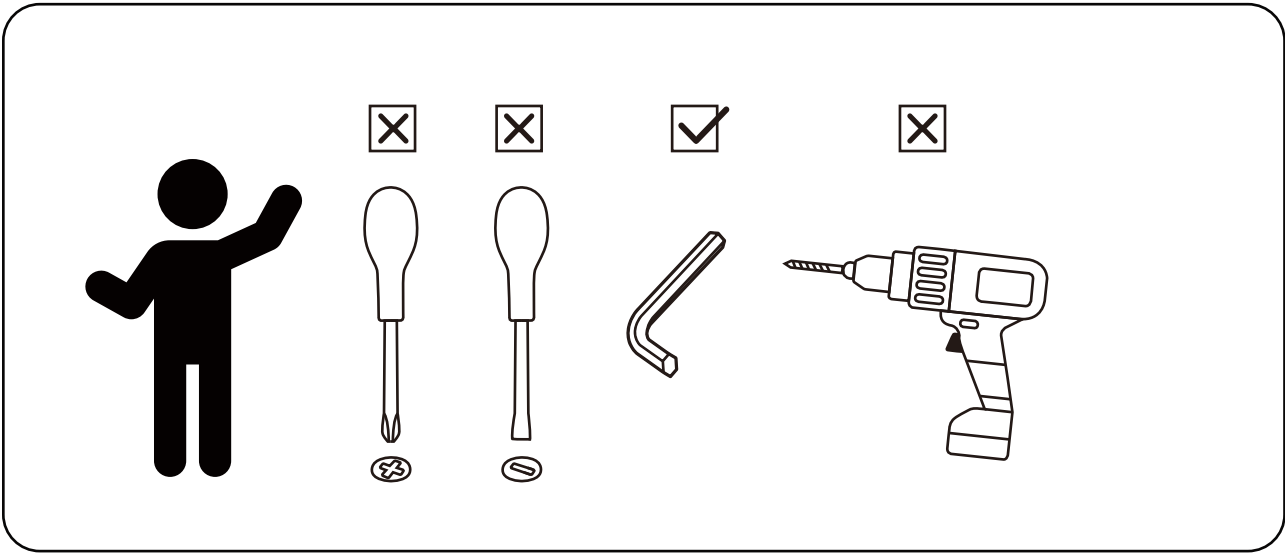


## WARNING

CHOKING HAZARD-small parts

Not for children under 3yrs

The toy is to be assembled by an adult.



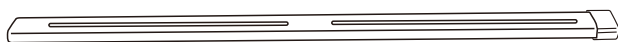
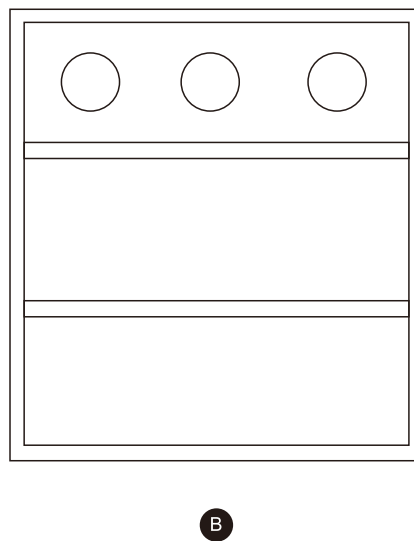
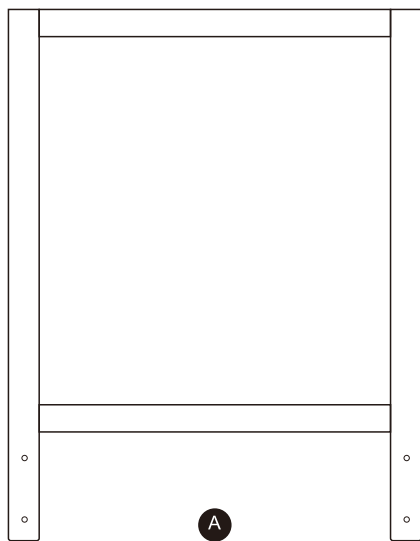
**TEAMSON™**

**USA** ☎ 1-800-935-3959  
**EU** ☎ +44 (0) 1952-916050

Assembly Instruction

Made in China

# Product Parts



C 4 PCS

D

# Hardware Parts

1



8 PCS

2



8 PCS

3



8 PCS

4



4 PCS

5




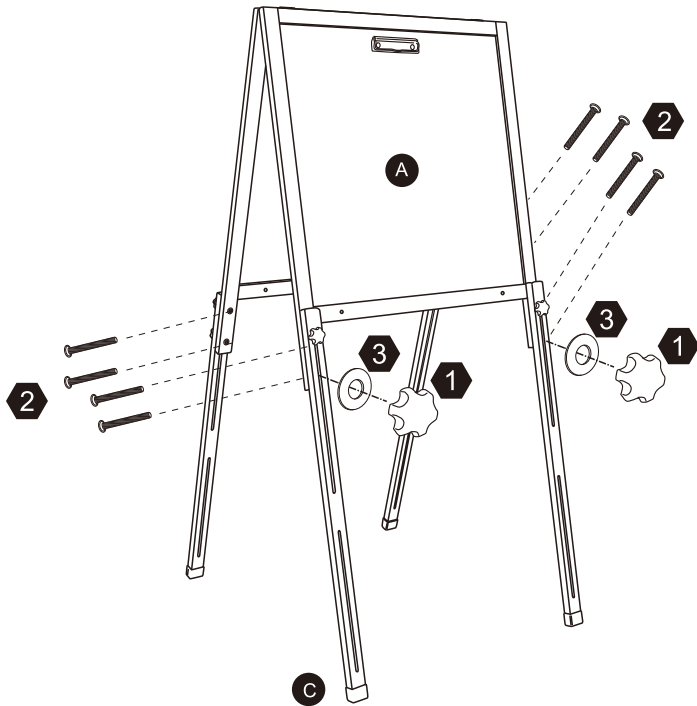
3 PCS

6



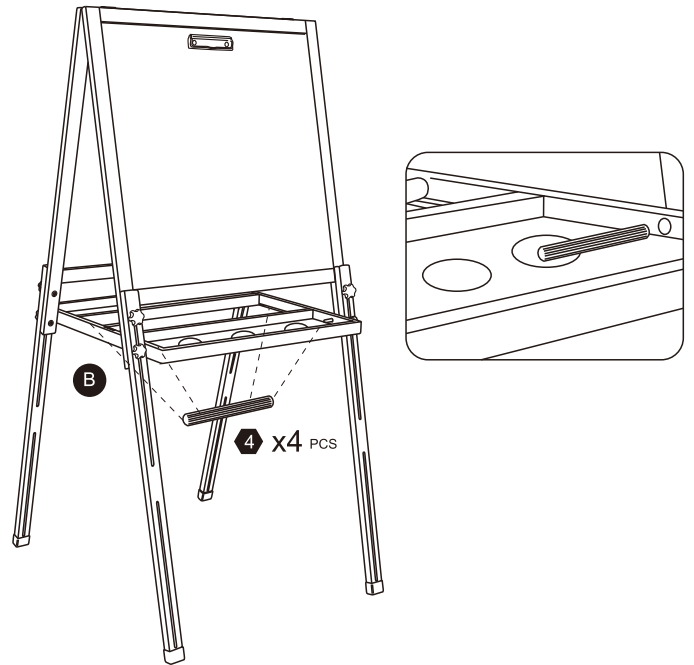
## Step 1

- 1  8 PCS
- 2  8 PCS
- 3  8 PCS



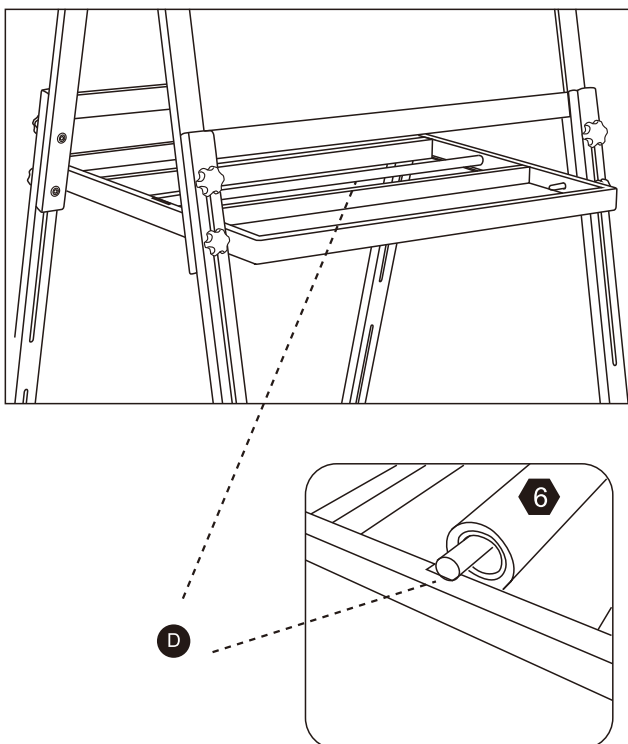
## Step 2

- 4  4 PCS



## Step 3

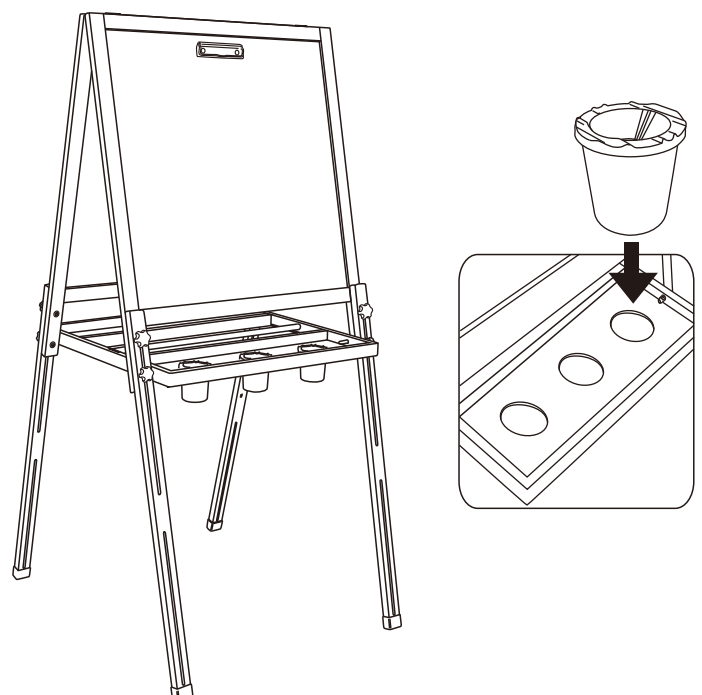
- 6 



## Step 4

- 5  3 PCS

Remove the films on whiteboard and chalkboard before use.



- Please do not wash with water.
- Use eraser or soft cloth to clean the board. Eraser is not included.
- Do not use hard objects on the boards to prevent scratches.
- Do not expose the easel to direct sunlight.
- Use white board markers only for whiteboard. Do not use permanent markers.
- Remove the films on the whiteboard and chalkboard before use.